

Floor standing(Exposed)
 Floor standing(Concealed)

PFFY-P-VLEM-A
 PFFY-P-VLRM-A

CONTENTS

1. Specifications	342
2. Capacity Tables	343
2-1 Cooling capacity(Y-5HP)	343
2-2 Heating capacity(Y-5HP)	344
2-3 Cooling capacity(Y-8·10HP,R2-8·10HP)	345
2-4 Heating capacity(Y-8·10HP,R2-8·10HP)	346
2-5 Cooling capacity(Super Y)	347
2-6 Heating capacity(Super Y)	348
2-7 Cooling capacity(PQRY)	349
2-8 Heating capacity(PQRY)	349
3. Sound Levels	350
3-1 Noise levels	350
3-2 N/C curves	350
4. External Dimensions	351
5. Electrical Wiring Diagram	353
6. Temperature/Airflow distribution	354

**PFFY-P-
 VLEM-A/VLRM-A**

1. Specifications

			PFFY-P20VLEM-A	PFFY-P25VLEM-A	PFFY-P32VLEM-A	PFFY-P40VLEM-A	PFFY-P50VLEM-A	PFFY-P63VLEM-A
Power source			~ 220-240V 50Hz / ~ 208-230V 60Hz					
Cooling capacity	* 1	kW	2.2	2.8	3.6	4.5	5.6	7.1
	* 2	kcal/h	2,000	2,500	3,150	4,000	5,000	6,300
Heating capacity	* 1	kW	2.5	3.2	4.0	5.0	6.3	8.0
Power consumption	Cooling	kW	0.04 / 0.06		0.06 / 0.07	0.065 / 0.075	0.085 / 0.09	0.1 / 0.11
	Heating	kW	0.04 / 0.06		0.06 / 0.07	0.065 / 0.075	0.085 / 0.09	0.1 / 0.11
Current	Cooling	A	0.19 / 0.25		0.29 / 0.30	0.32 / 0.33	0.40 / 0.41	0.46 / 0.47
	Heating	A	0.19 / 0.25		0.29 / 0.30	0.32 / 0.33	0.40 / 0.41	0.46 / 0.47
External finish(Munsel No.)			Acrylic paint (5Y 8/1)					
Dimension	Height	mm	630					
	Width	mm	1,050		1,170		1,410	
	Depth	mm	220					
Net weight		kg	23	25	26	30	32	
Heat exchanger			Cross fin (Aluminum plate fin and copper tube)					
Fan	Type		Sirocco fanX 1			Sirocco fanX 2		
	Airflow rate * 3 (Low-High)	m ³ /min	5.5-6.5		7.0-9.0	9.0-11.0	12.0-14.0	12.0-15.5
	External static pressure	Pa	0					
Motor	Type		Single phase induction motor					
	Output	kW	0.02	0.03	0.035		0.045	
Air filter			PP Honeycomb fabric (washable)					
Refrigerant pipe dimension	Gas (Flare)	mm	ø□12.7				ø□15.88	
	Liquid (Flare)	mm	ø□6.35				ø□9.52	
Drain pipe dimension			Accessory hose ø□27 (top end : ø□20)					
Noise level (Low-High) * 3 * 4		dB(A)	34-40	35-40	38-43		40-46	

			PFFY-P20VLRM-A	PFFY-P25VLRM-A	PFFY-P32VLRM-A	PFFY-P40VLRM-A	PFFY-P50VLRM-A	PFFY-P63VLRM-A
Power source			~ 220-240V 50Hz / ~ 208-230V 60Hz					
Cooling capacity	* 1	kW	2.2	2.8	3.6	4.5	5.6	7.1
	* 2	kcal/h	2,000	2,500	3,150	4,000	5,000	6,300
Heating capacity	* 1	kW	2.5	3.2	4.0	5.0	6.3	8.0
Power consumption	Cooling	kW	0.04 / 0.06		0.06 / 0.07	0.065 / 0.075	0.085 / 0.09	0.1 / 0.11
	Heating	kW	0.04 / 0.06		0.06 / 0.07	0.065 / 0.075	0.085 / 0.09	0.1 / 0.11
Current	Cooling	A	0.19 / 0.25		0.29 / 0.30	0.32 / 0.33	0.40 / 0.41	0.46 / 0.47
	Heating	A	0.19 / 0.25		0.29 / 0.30	0.32 / 0.33	0.40 / 0.41	0.46 / 0.47
External finish(Munsel No.)			Acrylic paint (3.4Y 7.7/0.8)					
Dimension	Height	mm	639					
	Width	mm	886		1,006		1,246	
	Depth	mm	220					
Net weight		kg	18.5	20	21	25	27	
Heat exchanger			Cross fin (Aluminum plate fin and copper tube)					
Fan	Type		Sirocco fanX 1			Sirocco fanX 2		
	Airflow rate * 3 (Low-High)	m ³ /min	5.5-6.5		7.0-9.0	9.0-11.0	12.0-14.0	12.0-15.5
	External static pressure	Pa	0					
Motor	Type		Single phase induction motor					
	Output	kW	0.02	0.03	0.035		0.045	
Air filter			PP Honeycomb fabric (washable)					
Refrigerant pipe dimension	Gas (Flare)	mm	ø□12.7				ø□15.88	
	Liquid (Flare)	mm	ø□6.35				ø□9.52	
Drain pipe dimension			Accessory hose ø□27 (top end : ø□20)					
Noise level (Low-High) * 3 * 4		dB(A)	34-40	35-40	38-43		40-46	

Note: * 1 Cooling/Heating capacity indicates the maximum value at operation under the following condition.

Cooling : Indoor 27°CDB/19°CWB, Outdoor 35°CDB

Heating : Indoor 20°CDB, Outdoor 7°CDB/6°CWB

* 2 Cooling capacity indicates the maximum value at operation under the following condition.

Cooling : Indoor 27°CDB/19.5°CWB, Outdoor 35°CDB (WR2: water 30°C)

* 3 Air flow rate/noise level are in (Low-High)

* 4 Measured point : 1m×1m, Power supply : AC240V/50Hz

•1dB(A) lower at AC230V/50Hz

•2dB(A) lower at AC220V/50Hz

•3dB(A) lower at 1.5m×1.5m point

2. Capacity tables

2-1.Cooling Capacity (In combination with PUMY-125YM(A))

PFFY-P-VLEM-AVLRM-A

CA:Capacity(kW)

SHC:Sensible heat Capacity(kW)

Unit size	Outdoor air temp.	Indoor air temp.								
		23°CDB 16°CWB		25°CDB 18°CWB		28°CDB 20°CWB		30°CDB 22°CWB		
		°CDB	CA	SHC	CA	SHC	CA	SHC	CA	SHC
20 (2.2)	20.0	2.2	2.2	1.9	2.3	2.0	2.4	2.0	2.6	2.1
	22.5	2.1	2.1	1.9	2.3	2.0	2.4	2.0	2.6	2.1
	25.0	2.1	2.1	1.9	2.3	2.0	2.4	2.0	2.5	2.0
	27.5	2.1	2.1	1.9	2.2	2.0	2.4	2.0	2.5	2.0
	30.0	2.1	2.1	1.9	2.2	2.0	2.3	1.9	2.5	2.0
	32.5	2.0	2.0	1.9	2.2	2.0	2.3	1.9	2.5	2.0
	35.0	2.0	2.0	1.8	2.1	1.9	2.3	1.9	2.4	2.0
	37.5	2.0	2.0	1.8	2.1	1.9	2.2	1.9	2.4	2.0
	40.0	2.0	2.0	1.8	2.1	1.9	2.2	1.9	2.4	2.0
46.0	1.9	1.9	1.8	2.0	1.9	2.1	1.9	2.3	1.9	
25 (2.8)	20.0	2.8	2.8	2.2	2.9	2.3	3.1	2.3	3.3	2.3
	22.5	2.7	2.7	2.2	2.9	2.3	3.1	2.3	3.2	2.3
	25.0	2.7	2.7	2.2	2.9	2.3	3.1	2.2	3.2	2.3
	27.5	2.7	2.7	2.1	2.8	2.3	3.0	2.2	3.2	2.3
	30.0	2.6	2.6	2.1	2.8	2.2	3.0	2.2	3.2	2.3
	32.5	2.6	2.6	2.1	2.8	2.2	2.9	2.2	3.1	2.3
	35.0	2.6	2.6	2.1	2.7	2.2	2.9	2.2	3.1	2.3
	37.5	2.5	2.5	2.1	2.7	2.2	2.9	2.2	3.0	2.2
	40.0	2.5	2.5	2.1	2.7	2.2	2.8	2.1	3.0	2.2
46.0	2.4	2.4	2.0	2.6	2.1	2.7	2.1	2.9	2.2	
32 (3.6)	20.0	3.6	3.6	2.6	3.7	2.7	4.0	2.6	4.2	2.7
	22.5	3.5	3.5	2.5	3.7	2.6	4.0	2.6	4.2	2.7
	25.0	3.5	3.5	2.5	3.7	2.6	3.9	2.6	4.1	2.7
	27.5	3.4	3.4	2.5	3.6	2.6	3.9	2.6	4.1	2.7
	30.0	3.4	3.4	2.5	3.6	2.6	3.8	2.6	4.1	2.6
	32.5	3.3	3.3	2.4	3.6	2.6	3.8	2.5	4.0	2.6
	35.0	3.3	3.3	2.4	3.5	2.5	3.7	2.5	4.0	2.6
	37.5	3.2	3.2	2.4	3.5	2.5	3.7	2.5	3.9	2.6
	40.0	3.2	3.2	2.4	3.4	2.5	3.6	2.5	3.9	2.6
46.0	3.1	3.1	2.3	3.3	2.4	3.5	2.4	3.7	2.5	
40 (4.5)	20.0	4.5	4.5	3.2	4.7	3.3	5.0	3.3	5.3	3.4
	22.5	4.4	4.4	3.2	4.6	3.3	5.0	3.3	5.2	3.4
	25.0	4.3	4.3	3.1	4.6	3.3	4.9	3.3	5.2	3.4
	27.5	4.3	4.3	3.1	4.6	3.3	4.9	3.2	5.1	3.3
	30.0	4.2	4.2	3.1	4.5	3.2	4.8	3.2	5.1	3.3
	32.5	4.2	4.2	3.1	4.4	3.2	4.7	3.2	5.0	3.3
	35.0	4.1	4.1	3.0	4.4	3.2	4.7	3.2	5.0	3.3
	37.5	4.1	4.1	3.0	4.3	3.2	4.6	3.1	4.9	3.2
	40.0	4.0	4.0	3.0	4.3	3.1	4.5	3.1	4.8	3.2
46.0	3.8	3.8	2.9	4.1	3.1	4.3	3.0	4.6	3.1	
50 (5.6)	20.0	5.5	5.5	4.0	5.8	4.2	6.2	4.2	6.6	4.3
	22.5	5.5	5.5	4.0	5.8	4.2	6.2	4.2	6.5	4.3
	25.0	5.4	5.4	4.0	5.7	4.2	6.1	4.1	6.4	4.2
	27.5	5.3	5.3	3.9	5.7	4.1	6.0	4.1	6.4	4.2
	30.0	5.3	5.3	3.9	5.6	4.1	5.9	4.1	6.3	4.2
	32.5	5.2	5.2	3.9	5.5	4.1	5.9	4.0	6.2	4.2
	35.0	5.1	5.1	3.8	5.5	4.0	5.8	4.0	6.2	4.1
	37.5	5.0	5.0	3.8	5.4	4.0	5.7	4.0	6.1	4.1
	40.0	5.0	5.0	3.8	5.3	4.0	5.6	3.9	6.0	4.1
46.0	4.8	4.8	3.7	5.1	3.9	5.4	3.8	5.8	4.0	
63 (7.1)	20.0	7.0	7.0	5.0	7.4	5.2	7.9	5.2	8.3	5.3
	22.5	6.9	6.9	5.0	7.3	5.2	7.8	5.2	8.2	5.3
	25.0	6.9	6.9	4.9	7.3	5.2	7.7	5.1	8.2	5.3
	27.5	6.8	6.8	4.9	7.2	5.1	7.7	5.1	8.1	5.2
	30.0	6.7	6.7	4.8	7.1	5.1	7.5	5.0	8.0	5.2
	32.5	6.6	6.6	4.8	7.0	5.0	7.5	5.0	7.9	5.1
	35.0	6.5	6.5	4.7	6.9	5.0	7.3	4.9	7.8	5.1
	37.5	6.4	6.4	4.7	6.8	4.9	7.2	4.9	7.7	5.1
	40.0	6.3	6.3	4.6	6.7	4.9	7.2	4.8	7.6	5.0
46.0	6.1	6.1	4.5	6.5	4.8	6.9	4.7	7.3	4.9	

PFFY-P-VLEM-A/VLRM-A

2-2.Heating Capacity (In combination with PUMY-125YM(A))

PFFY-P-VLEM-A,VLRM-A

Unit size	Outdoor air temp.	Indoor air temp.:°CDB		
		15.0	20.0	25.0
	°CWB	SHC	SHC	SHC
20	-12.0	1.6	1.6	1.5
	-10.0	1.7	1.6	1.6
	-5.0	1.9	1.9	1.9
	0.0	2.2	2.1	2.1
	2.5	2.3	2.3	2.3
	6.0	2.5	2.5	2.5
	7.5	2.6	2.6	2.5
	10.0	2.8	2.7	2.5
	12.5	2.9	2.8	2.5
15.5	3.1	2.8	2.5	
25	-12.0	2.0	2.0	2.0
	-10.0	2.1	2.1	2.1
	-5.0	2.4	2.4	2.4
	0.0	2.8	2.8	2.7
	2.5	3.0	2.9	2.9
	6.0	3.2	3.2	3.2
	7.5	3.3	3.3	3.2
	10.0	3.5	3.5	3.2
	12.5	3.7	3.5	3.2
15.5	3.9	3.5	3.2	
32	-12.0	2.5	2.5	2.5
	-10.0	2.7	2.6	2.6
	-5.0	3.1	3.0	3.0
	0.0	3.5	3.4	3.4
	2.5	3.7	3.7	3.6
	6.0	4.0	4.0	3.9
	7.5	4.2	4.1	4.0
	10.0	4.4	4.4	4.0
	12.5	4.7	4.4	4.0
15.5	4.9	4.4	4.0	

SHC:Sensible heat Capacity(kW)

Unit size	Outdoor air temp.	Indoor air temp.:°CDB		
		15.0	20.0	25.0
	°CWB	SHC	SHC	SHC
40	-12.0	3.2	3.1	3.1
	-10.0	3.4	3.3	3.2
	-5.0	3.8	3.8	3.7
	0.0	4.3	4.3	4.2
	2.5	4.6	4.6	4.5
	6.0	5.0	5.0	4.9
	7.5	5.2	5.2	5.0
	10.0	5.5	5.5	5.0
	12.5	5.9	5.5	5.0
15.5	6.2	5.5	5.0	
50	-12.0	4.0	3.9	3.9
	-10.0	4.2	4.2	4.1
	-5.0	4.8	4.8	4.7
	0.0	5.5	5.4	5.3
	2.5	5.8	5.8	5.7
	6.0	6.3	6.3	6.2
	7.5	6.6	6.5	6.2
	10.0	7.0	6.9	6.2
	12.5	7.4	7.0	6.2
15.5	7.7	7.0	6.2	
63	-12.0	5.1	5.0	4.9
	-10.0	5.4	5.3	5.2
	-5.0	6.1	6.0	5.9
	0.0	6.9	6.9	6.8
	2.5	7.4	7.3	7.2
	6.0	8.0	8.0	7.9
	7.5	8.3	8.3	7.9
	10.0	8.8	8.8	7.9
	12.5	9.4	8.8	7.9
15.5	9.8	8.8	7.9	

PFFY-P-VLEM-A/VLRM-A

2-3.Cooling Capacity (In combination with PU(H)Y,PURY-(P)200-250YMF-C)

PFFY-P-VLEM-A,VLRM-A

CA:Capacity(kW)

SHC:Sensible heat Capacity(kW)

Unit size	Outdoor air temp.	Indoor air temp.													
		21.5°CDB 15°CWB		23°CDB 16°CWB		25°CDB 18°CWB		27°CDB 19°CWB		28°CDB 20°CWB		30°CDB 22°CWB		32°CDB 24°CWB	
		°CDB	CA	SHC	CA	SHC	CA	SHC	CA	SHC	CA	SHC	CA	SHC	CA
20 (2.2)	20.0	2.2	1.9	2.2	2.0	2.3	1.9	2.3	2.0	2.4	2.0	2.5	2.0	2.6	2.0
	22.5	2.1	1.9	2.2	2.0	2.3	1.9	2.3	2.0	2.4	2.0	2.4	2.0	2.5	1.9
	25.0	2.1	1.9	2.2	1.9	2.2	1.9	2.3	2.0	2.3	2.0	2.4	2.0	2.5	1.9
	27.5	2.1	1.9	2.1	1.9	2.2	1.9	2.3	1.9	2.3	2.0	2.4	2.0	2.5	1.9
	30.0	2.1	1.9	2.1	1.9	2.2	1.9	2.2	1.9	2.3	2.0	2.4	2.0	2.5	1.9
	32.5	2.0	1.9	2.1	1.9	2.2	1.9	2.2	1.9	2.3	2.0	2.4	2.0	2.4	1.9
	35.0	2.0	1.8	2.1	1.9	2.2	1.9	2.2	1.9	2.2	2.0	2.3	2.0	2.4	1.9
	37.5	2.0	1.8	2.0	1.9	2.1	1.9	2.2	1.9	2.2	2.0	2.3	1.9	2.4	1.9
	40.0	2.0	1.8	2.0	1.9	2.1	1.9	2.2	1.9	2.2	2.0	2.3	1.9	2.4	1.9
43.0	2.0	1.8	2.0	1.9	2.1	1.8	2.1	1.9	2.2	2.0	2.3	1.9	2.3	1.9	
25 (2.8)	20.0	2.7	2.2	2.8	2.2	2.9	2.2	3.0	2.2	3.0	2.3	3.1	2.2	3.2	2.2
	22.5	2.7	2.2	2.8	2.2	2.9	2.2	2.9	2.2	3.0	2.3	3.1	2.2	3.2	2.2
	25.0	2.7	2.2	2.7	2.2	2.9	2.2	2.9	2.2	3.0	2.3	3.1	2.2	3.2	2.2
	27.5	2.7	2.1	2.7	2.2	2.8	2.2	2.9	2.2	2.9	2.3	3.1	2.2	3.2	2.2
	30.0	2.6	2.1	2.7	2.2	2.8	2.1	2.9	2.2	2.9	2.2	3.0	2.2	3.1	2.1
	32.5	2.6	2.1	2.7	2.2	2.8	2.1	2.8	2.2	2.9	2.2	3.0	2.2	3.1	2.1
	35.0	2.6	2.1	2.6	2.2	2.7	2.1	2.8	2.2	2.9	2.2	3.0	2.2	3.1	2.1
	37.5	2.5	2.1	2.6	2.1	2.7	2.1	2.8	2.1	2.8	2.2	2.9	2.2	3.1	2.1
	40.0	2.5	2.1	2.6	2.1	2.7	2.1	2.7	2.1	2.8	2.2	2.9	2.2	3.0	2.1
43.0	2.5	2.1	2.5	2.1	2.7	2.1	2.7	2.1	2.8	2.2	2.9	2.1	3.0	2.1	
32 (3.6)	20.0	3.5	2.5	3.6	2.6	3.7	2.5	3.8	2.5	3.9	2.6	4.0	2.5	4.2	2.5
	22.5	3.5	2.5	3.6	2.6	3.7	2.5	3.8	2.5	3.9	2.6	4.0	2.5	4.1	2.4
	25.0	3.5	2.5	3.5	2.5	3.7	2.5	3.7	2.5	3.8	2.6	4.0	2.5	4.1	2.4
	27.5	3.4	2.5	3.5	2.5	3.6	2.5	3.7	2.5	3.8	2.6	3.9	2.5	4.1	2.4
	30.0	3.4	2.5	3.5	2.5	3.6	2.5	3.7	2.5	3.7	2.5	3.9	2.5	4.0	2.4
	32.5	3.3	2.4	3.4	2.5	3.6	2.4	3.6	2.5	3.7	2.5	3.9	2.5	4.0	2.4
	35.0	3.3	2.4	3.4	2.5	3.5	2.4	3.6	2.4	3.7	2.5	3.8	2.5	4.0	2.4
	37.5	3.3	2.4	3.3	2.5	3.5	2.4	3.6	2.4	3.6	2.5	3.8	2.4	3.9	2.4
	40.0	3.2	2.4	3.3	2.4	3.5	2.4	3.5	2.4	3.6	2.5	3.7	2.4	3.9	2.4
43.0	3.2	2.4	3.3	2.4	3.4	2.4	3.5	2.4	3.6	2.5	3.7	2.4	3.8	2.3	
40 (4.5)	20.0	4.4	3.2	4.5	3.2	4.7	3.2	4.8	3.2	4.9	3.3	5.0	3.2	5.2	3.1
	22.5	4.4	3.2	4.5	3.2	4.6	3.1	4.7	3.2	4.8	3.3	5.0	3.2	5.2	3.1
	25.0	4.3	3.1	4.4	3.2	4.6	3.1	4.7	3.1	4.8	3.2	5.0	3.2	5.1	3.1
	27.5	4.3	3.1	4.4	3.2	4.5	3.1	4.6	3.1	4.7	3.2	4.9	3.1	5.1	3.0
	30.0	4.2	3.1	4.3	3.2	4.5	3.1	4.6	3.1	4.7	3.2	4.9	3.1	5.0	3.0
	32.5	4.2	3.1	4.3	3.1	4.5	3.1	4.5	3.1	4.6	3.2	4.8	3.1	5.0	3.0
	35.0	4.1	3.0	4.2	3.1	4.4	3.0	4.5	3.1	4.6	3.2	4.8	3.1	5.0	3.0
	37.5	4.1	3.0	4.2	3.1	4.4	3.0	4.5	3.0	4.5	3.1	4.7	3.1	4.9	3.0
	40.0	4.1	3.0	4.1	3.1	4.3	3.0	4.4	3.0	4.5	3.1	4.7	3.0	4.9	3.0
43.0	4.0	3.0	4.1	3.0	4.3	3.0	4.4	3.0	4.4	3.1	4.6	3.0	4.8	2.9	
50 (5.6)	20.0	5.5	4.0	5.6	4.1	5.8	4.0	5.9	4.0	6.0	4.2	6.3	4.0	6.5	3.9
	22.5	5.4	4.0	5.5	4.1	5.8	4.0	5.9	4.0	6.0	4.1	6.2	4.0	6.4	3.9
	25.0	5.4	4.0	5.5	4.0	5.7	4.0	5.8	4.0	5.9	4.1	6.2	4.0	6.4	3.9
	27.5	5.3	3.9	5.4	4.0	5.7	3.9	5.8	4.0	5.9	4.1	6.1	4.0	6.3	3.9
	30.0	5.3	3.9	5.4	4.0	5.6	3.9	5.7	3.9	5.8	4.1	6.0	4.0	6.3	3.8
	32.5	5.2	3.9	5.3	4.0	5.5	3.9	5.7	3.9	5.8	4.0	6.0	3.9	6.2	3.8
	35.0	5.2	3.8	5.3	3.9	5.5	3.9	5.6	3.9	5.7	4.0	5.9	3.9	6.2	3.8
	37.5	5.1	3.8	5.2	3.9	5.4	3.8	5.5	3.9	5.7	4.0	5.9	3.9	6.1	3.8
	40.0	5.0	3.8	5.2	3.9	5.4	3.8	5.5	3.8	5.6	4.0	5.8	3.9	6.0	3.8
43.0	5.0	3.8	5.1	3.8	5.3	3.8	5.4	3.8	5.5	3.9	5.8	3.8	6.0	3.7	
63 (7.1)	20.0	7.0	5.0	7.1	5.1	7.4	5.0	7.5	5.0	7.7	5.1	8.0	5.0	8.2	4.8
	22.5	6.9	4.9	7.0	5.0	7.3	4.9	7.5	4.9	7.6	5.1	7.9	4.9	8.2	4.8
	25.0	6.8	4.9	7.0	5.0	7.2	4.9	7.4	4.9	7.5	5.1	7.8	4.9	8.1	4.8
	27.5	6.7	4.9	6.9	5.0	7.2	4.9	7.3	4.9	7.5	5.0	7.7	4.9	8.0	4.7
	30.0	6.7	4.8	6.8	4.9	7.1	4.8	7.2	4.8	7.4	5.0	7.7	4.9	8.0	4.7
	32.5	6.6	4.8	6.7	4.9	7.0	4.8	7.2	4.8	7.3	5.0	7.6	4.8	7.9	4.7
	35.0	6.5	4.8	6.7	4.9	7.0	4.8	7.1	4.8	7.2	4.9	7.5	4.8	7.8	4.7
	37.5	6.5	4.7	6.6	4.8	6.9	4.7	7.0	4.8	7.2	4.9	7.5	4.8	7.7	4.6
	40.0	6.4	4.7	6.5	4.8	6.8	4.7	7.0	4.7	7.1	4.9	7.4	4.8	7.7	4.6
43.0	6.3	4.6	6.4	4.7	6.7	4.7	6.9	4.7	7.0	4.8	7.3	4.7	7.6	4.6	

PFFY-P-VLEM-A/VLRM-A

2-4.Heating Capacity (In combination with PU(H)Y,PURY-(P)200-250YMF-C)

PFFY-P-VLEM-A,VLRM-A

SHC:Sensible heat Capacity(kW)

Unit size	Outdoor air temp.	Indoor air temp.:°CDB			
		15.0	20.0	25.0	27.0
	°CWB	SHC	SHC	SHC	SHC
20	-15.0	1.7	1.6	1.6	1.6
	-10.0	1.9	1.9	1.9	1.7
	-5.0	2.1	2.1	2.0	1.7
	0.0	2.4	2.4	2.0	1.7
	2.5	2.5	2.5	2.0	1.7
	6.0	2.5	2.5	2.0	1.7
	7.5	2.6	2.5	2.0	1.7
	10.0	2.8	2.5	2.0	1.7
	12.5	3.0	2.5	2.0	1.7
	15.5	3.0	2.5	2.0	1.7
25	-15.0	2.1	2.1	2.1	2.1
	-10.0	2.4	2.4	2.4	2.2
	-5.0	2.7	2.7	2.5	2.2
	0.0	3.1	3.0	2.5	2.2
	2.5	3.2	3.2	2.5	2.2
	6.0	3.2	3.2	2.5	2.2
	7.5	3.4	3.2	2.5	2.2
	10.0	3.6	3.2	2.5	2.2
	12.5	3.8	3.2	2.5	2.2
	15.5	3.9	3.2	2.5	2.2
32	-15.0	2.7	2.6	2.6	2.6
	-10.0	3.1	3.0	3.0	2.8
	-5.0	3.4	3.4	3.1	2.8
	0.0	3.8	3.8	3.1	2.8
	2.5	4.0	4.0	3.1	2.8
	6.0	4.0	4.0	3.1	2.8
	7.5	4.2	4.0	3.1	2.8
	10.0	4.5	4.0	3.1	2.8
	12.5	4.8	4.0	3.1	2.8
	15.5	4.8	4.0	3.1	2.8

Unit size	Outdoor air temp.	Indoor air temp.:°CDB			
		15.0	20.0	25.0	27.0
	°CWB	SHC	SHC	SHC	SHC
40	-15.0	3.3	3.3	3.3	3.3
	-10.0	3.8	3.8	3.7	3.5
	-5.0	4.3	4.2	3.9	3.5
	0.0	4.8	4.7	3.9	3.5
	2.5	5.0	5.0	3.9	3.5
	6.0	5.1	5.0	3.9	3.5
	7.5	5.3	5.0	3.9	3.5
	10.0	5.6	5.0	3.9	3.5
	12.5	6.0	5.0	3.9	3.5
	15.5	6.1	5.0	3.9	3.5
50	-15.0	4.2	4.2	4.1	4.1
	-10.0	4.8	4.8	4.7	4.3
	-5.0	5.4	5.3	4.9	4.3
	0.0	6.0	5.9	4.9	4.3
	2.5	6.3	6.2	4.9	4.3
	6.0	6.4	6.3	4.9	4.3
	7.5	6.6	6.3	4.9	4.3
	10.0	7.1	6.3	4.9	4.3
	12.5	7.5	6.3	4.9	4.3
	15.5	7.6	6.3	4.9	4.3
63	-15.0	5.4	5.3	5.2	5.2
	-10.0	6.1	6.0	6.0	5.5
	-5.0	6.9	6.8	6.2	5.5
	0.0	7.6	7.5	6.2	5.5
	2.5	8.0	7.9	6.2	5.5
	6.0	8.1	8.0	6.2	5.5
	7.5	8.4	8.0	6.2	5.5
	10.0	9.0	8.0	6.2	5.5
	12.5	9.6	8.0	6.2	5.5
	15.5	9.7	8.0	6.2	5.5

PFFY-P-VLEM-A/VLRM-A

2-6.Heating capacity (In combination with PUHY-(P)315-400-500-600-650-700-750Y(S)MF-B,Y(S)MC)

PFFY-P-VLEM-A,VLRM-A

SHC:Sensible heat Capacity(kcal/h)

Unit size	Outdoor air temp.	Indoor air temp.:°CDB			
		15	21	25	27
		°CWB	SHC	SHC	SHC
20	-15.0	1555	1532	1509	1500
	-10.0	1774	1751	1728	1601
	-5.0	1994	1970	1809	1601
	0.0	2213	2190	1809	1601
	2.5	2322	2250	1809	1601
	6.0	2343	2250	1809	1601
	7.5	2441	2250	1809	1601
	10.0	2605	2250	1809	1601
	12.5	2769	2250	1809	1601
	15.5	2807	2250	1809	1601
25	-15.0	1935	1907	1878	1866
	-10.0	2208	2179	2151	1992
	-5.0	2481	2452	2252	1992
	0.0	2754	2725	2252	1992
	2.5	2890	2800	2252	1992
	6.0	2915	2800	2252	1992
	7.5	3038	2800	2252	1992
	10.0	3242	2800	2252	1992
	12.5	3446	2800	2252	1992
	15.5	3493	2800	2252	1992
32	-15.0	2454	2417	2381	2366
	-10.0	2800	2763	2727	2525
	-5.0	3146	3109	2855	2525
	0.0	3491	3455	2855	2525
	2.5	3664	3550	2855	2525
	6.0	3696	3550	2855	2525
	7.5	3852	3550	2855	2525
	10.0	4111	3550	2855	2525
	12.5	4370	3550	2855	2525
	15.5	4428	3550	2855	2525

Unit size	Outdoor air temp.	Indoor air temp.:°CDB			
		15	21	25	27
		°CWB	SHC	SHC	SHC
40	-15.0	3111	3064	3018	2999
	-10.0	3549	3503	3456	3201
	-5.0	3987	3941	3619	3201
	0.0	4426	4379	3619	3201
	2.5	4645	4500	3619	3201
	6.0	4686	4500	3619	3201
	7.5	4883	4500	3619	3201
	10.0	5211	4500	3619	3201
	12.5	5539	4500	3619	3201
	15.5	5613	4500	3619	3201
50	-15.0	3871	3813	3755	3732
	-10.0	4416	4359	4301	3984
	-5.0	4962	4904	4503	3984
	0.0	5508	5450	4503	3984
	2.5	5780	5600	4503	3984
	6.0	5831	5600	4503	3984
	7.5	6076	5600	4503	3984
	10.0	6484	5600	4503	3984
	12.5	6893	5600	4503	3984
	15.5	6986	5600	4503	3984
63	-15.0	4908	4835	4761	4732
	-10.0	5599	5526	5453	5051
	-5.0	6291	6218	5709	5051
	0.0	6983	6910	5709	5051
	2.5	7329	7100	5709	5051
	6.0	7393	7100	5709	5051
	7.5	7704	7100	5709	5051
	10.0	8221	7100	5709	5051
	12.5	8739	7100	5709	5051
	15.5	8857	7100	5709	5051

PFFY-P-VLEM-A/VLRM-A

2-7.Cooling Capacity (In combination with PQRV-P200-250YMF-B)

PFFY-P-VLEM-A,VLRM-A

CA:Capacity(kcal/h)
SHC:Sensible heat Capacity(kcal/h)

Unit size	Water temp. °C	Indoor air temp.													
		21.5°CDB 15°CWB		23°CDB 16°CWB		25°CDB 18°CWB		27°CDB 19.5°CWB		28°CDB 20°CWB		30°CDB 22°CWB		32°CDB 24°CWB	
		CA	SHC	CA	SHC	CA	SHC	CA	SHC	CA	SHC	CA	SHC	CA	SHC
20	10	1914	1666	1980	1730	2105	1715	2200	1768	2229	1828	2354	1802	2486	1774
	20	1844	1635	1908	1699	2029	1684	2120	1737	2148	1797	2268	1772	2396	1745
	30	1740	1588	1800	1652	1914	1637	2000	1691	2026	1752	2140	1727	2260	1701
	40	1514	1488	1566	1552	1665	1539	1740	1593	1763	1654	1862	1633	1966	1609
	45	1427	1451	1476	1514	1569	1501	1640	1556	1661	1618	1755	1597	1853	1574
25	10	2393	1889	2475	1953	2632	1936	2750	1987	2786	2046	2943	2015	3108	1981
	20	2306	1847	2385	1912	2536	1895	2650	1946	2684	2006	2836	1976	2995	1943
	30	2175	1786	2250	1851	2393	1834	2500	1886	2533	1946	2675	1917	2825	1886
	40	1892	1656	1958	1720	2081	1705	2175	1758	2203	1818	2327	1793	2458	1765
	45	1784	1607	1845	1671	1962	1657	2050	1710	2077	1771	2194	1746	2317	1719
32	10	3015	2170	3119	2233	3316	2214	3465	2260	3510	2315	3708	2278	3915	2237
	20	2905	2113	3005	2177	3195	2158	3339	2204	3382	2260	3573	2224	3773	2184
	30	2741	2030	2835	2093	3015	2075	3150	2122	3191	2178	3371	2144	3560	2106
	40	2384	1856	2466	1918	2623	1901	2741	1950	2776	2006	2932	1976	3097	1943
	45	2247	1791	2325	1853	2472	1836	2583	1885	2617	1942	2764	1913	2919	1881
40	10	3828	2754	3960	2835	4211	2811	4400	2869	4457	2939	4708	2892	4972	2840
	20	3689	2683	3816	2763	4058	2740	4240	2798	4295	2869	4537	2823	4791	2773
	30	3480	2578	3600	2657	3828	2635	4000	2694	4052	2765	4280	2722	4520	2674
	40	3028	2356	3132	2435	3330	2414	3480	2475	3525	2547	3724	2508	3932	2466
	45	2854	2273	2952	2352	3139	2331	3280	2393	3323	2465	3510	2428	3706	2388
50	10	4785	3486	4950	3590	5264	3560	5500	3636	5572	3728	5885	3669	6215	3604
	20	4611	3398	4770	3502	5072	3472	5300	3549	5369	3642	5671	3584	5989	3521
	30	4350	3268	4500	3371	4785	3342	5000	3420	5065	3514	5350	3459	5650	3399
	40	3785	2994	3915	3096	4163	3069	4350	3150	4407	3244	4655	3195	4916	3142
	45	3567	2891	3690	2993	3924	2967	4100	3048	4153	3143	4387	3097	4633	3046
63	10	6029	4303	6237	4427	6632	4390	6930	4478	7020	4586	7415	4511	7831	4429
	20	5810	4190	6010	4313	6391	4277	6678	4366	6765	4474	7145	4402	7546	4322
	30	5481	4022	5670	4145	6029	4109	6300	4200	6382	4308	6741	4240	7119	4164
	40	4768	3670	4933	3791	5245	3758	5481	3851	5552	3961	5865	3900	6194	3834
	45	4494	3538	4649	3659	4944	3627	5166	3721	5233	3832	5528	3774	5838	3710

PFFY-P-VLEM-A/VLRM-A

2-8.Heating Capacity (In combination with PQRV-P200-250YMF-B)

PFFY-P-VLEM-A,VLRM-A

SHC:Sensible heat Capacity(kcal/h)

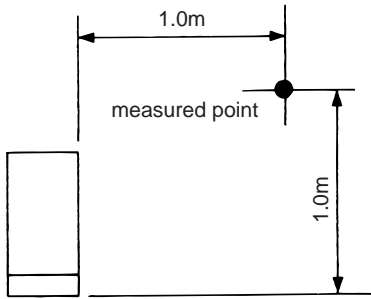
Unit size	Water temp. °C	Indoor air temp.:°CDB			
		15	21	25	27
		SHC	SHC	SHC	SHC
20	10	1951	1913	1549	1377
	20	2295	2250	1823	1620
	30	2295	2250	1823	1620
	40	2387	2340	1895	1685
	45	2616	2565	2078	1847
25	10	2428	2380	1928	1714
	20	2856	2800	2268	2016
	30	2856	2800	2268	2016
	40	2970	2912	2359	2097
	45	3256	3192	2586	2298
32	10	3078	3018	2444	2173
	20	3621	3550	2876	2556
	30	3621	3550	2876	2556
	40	3766	3692	2991	2658
	45	4128	4047	3278	2914

Unit size	Water temp. °C	Indoor air temp.:°CDB			
		15	21	25	27
		SHC	SHC	SHC	SHC
40	10	3902	3825	3098	2754
	20	4590	4500	3645	3240
	30	4590	4500	3645	3240
	40	4774	4680	3791	3370
	45	5233	5130	4155	3694
50	10	4855	4760	3856	3427
	20	5712	5600	4536	4032
	30	5712	5600	4536	4032
	40	5940	5824	4717	4193
	45	6512	6384	5171	4596
63	10	6156	6035	4888	4345
	20	7242	7100	5751	5112
	30	7242	7100	5751	5112
	40	7532	7384	5981	5316
	45	8256	8094	6556	5828

3. Sound levels

3-1. Noise level

Floor standing



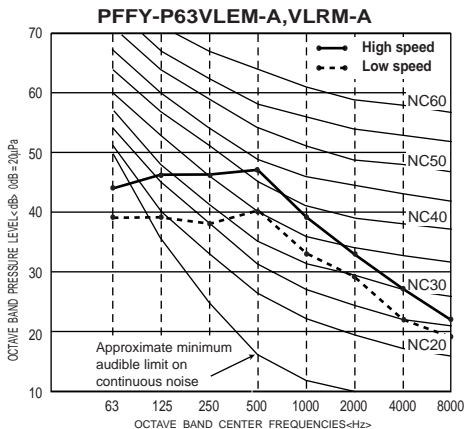
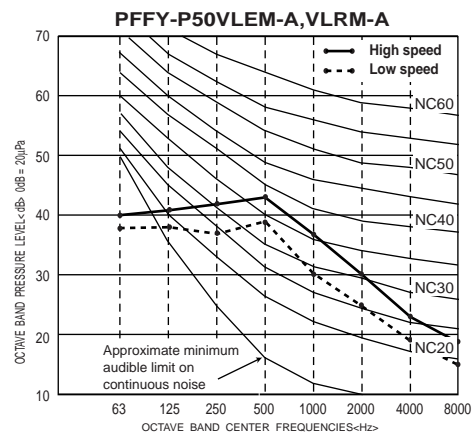
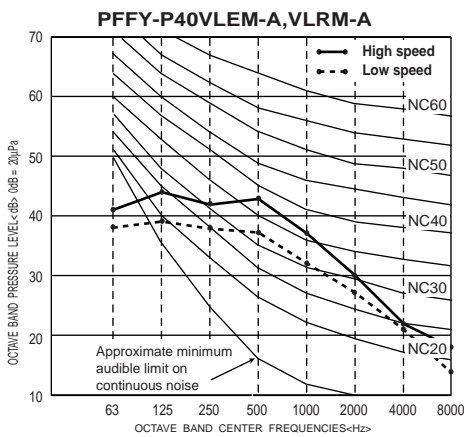
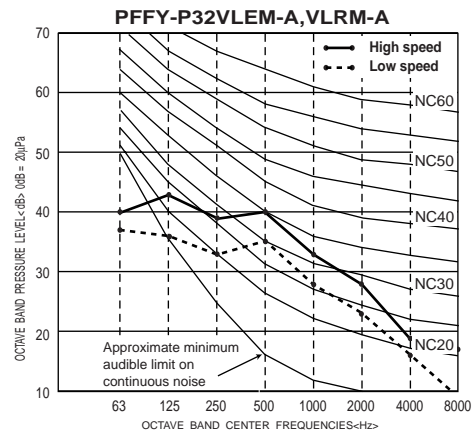
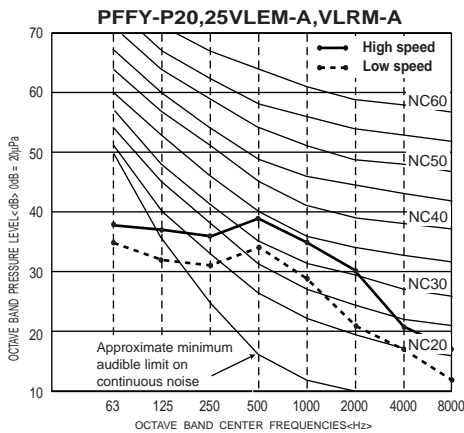
Noise level at anechoic room (Low-High)

Unit : dB(A)

Model	Noise level (A weighted)
PFFY-P20VLEM-A PFFY-P20VLRM-A PFFY-P25VLEM-A PFFY-P25VLRM-A	34-40
PFFY-P32VLEM-A PFFY-P32VLRM-A	35-40
PFFY-P40VLEM-A PFFY-P40VLRM-A PFFY-P50VLEM-A PFFY-P50VLRM-A	38-43
PFFY-P63VLEM-A PFFY-P63VLRM-A	40-46

3-2. NC curves

PFFY-P-VLEM-A/VLRM-A



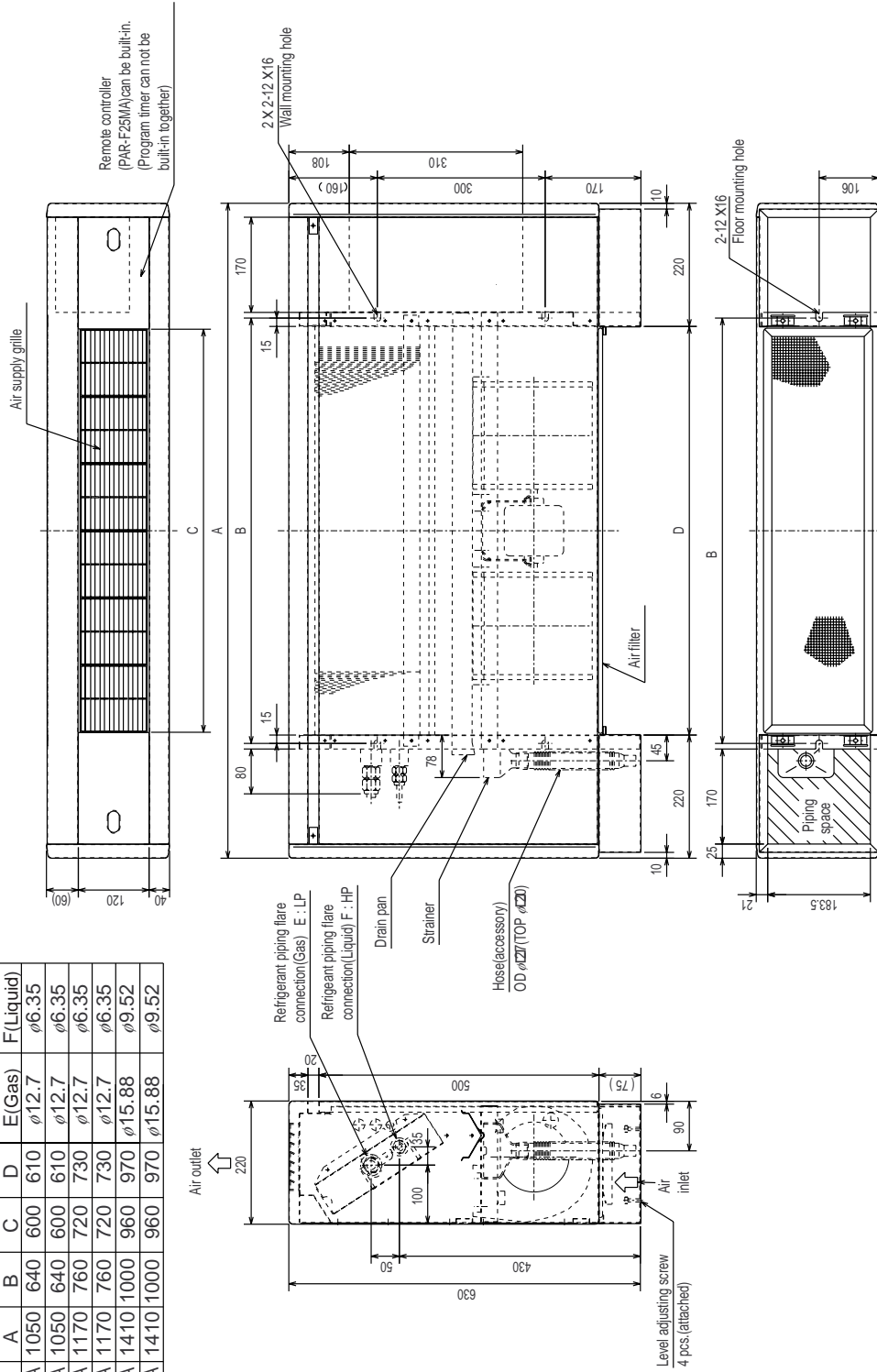
4. External Dimensions

PFFY-P20,25,32,40,50,
63VLEM-A

Unit : mm

Dimensions

Model	A	B	C	D	E(Gas)	F(Liquid)
PFFY-P20VLEM-A	1050	640	600	610	φ12.7	φ6.35
PFFY-P25VLEM-A	1050	640	600	610	φ12.7	φ6.35
PFFY-P32VLEM-A	1170	760	720	730	φ12.7	φ6.35
PFFY-P40VLEM-A	1170	760	720	730	φ12.7	φ6.35
PFFY-P50VLEM-A	1410	1000	960	970	φ15.88	φ9.52
PFFY-P63VLEM-A	1410	1000	960	970	φ15.88	φ9.52



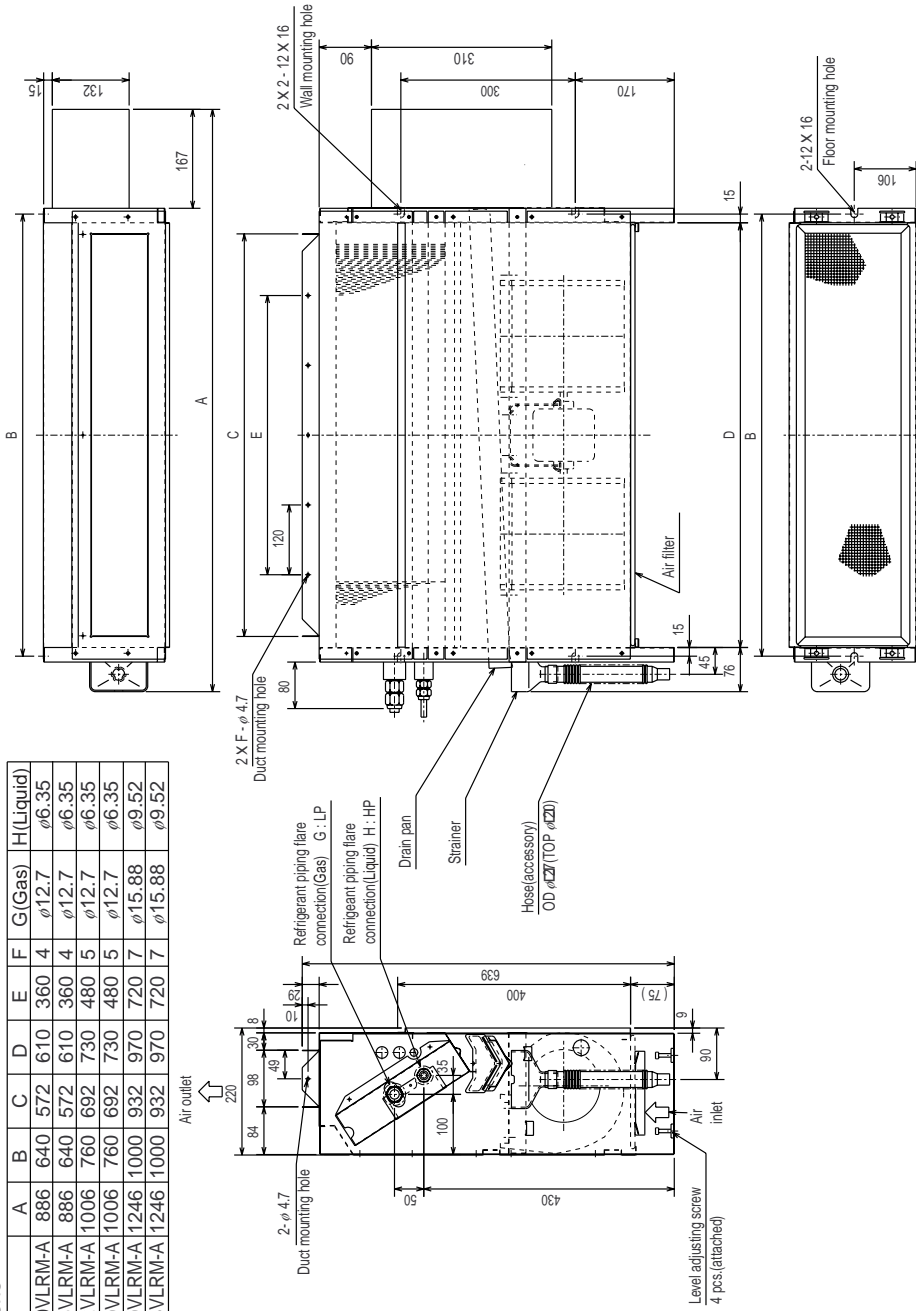
PFFY-P-VLEM-A/VRM-A

**PFFY-P20,25,32,40,50,
63VLRM-A**

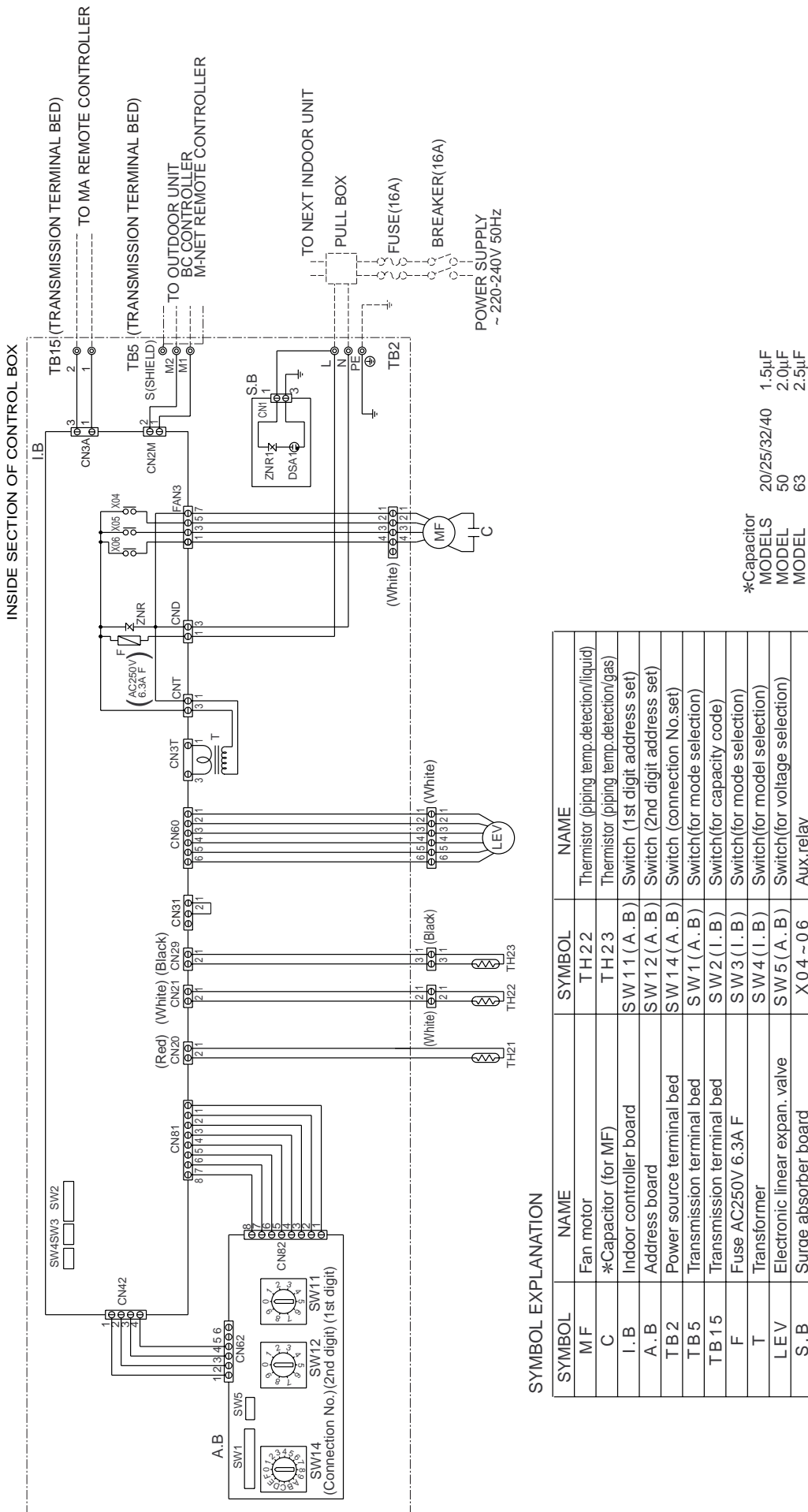
Unit : mm

Dimensions

Model	A	B	C	D	E	F	G(Gas)	H(Liquid)
PFFY-P20VLRM-A	886	640	572	610	360	4	φ12.7	φ6.35
PFFY-P25VLRM-A	886	640	572	610	360	4	φ12.7	φ6.35
PFFY-P32VLRM-A	1006	760	692	730	480	5	φ12.7	φ6.35
PFFY-P40VLRM-A	1006	760	692	730	480	5	φ12.7	φ6.35
PFFY-P50VLRM-A	1246	1000	932	970	720	7	φ15.88	φ9.52
PFFY-P63VLRM-A	1246	1000	932	970	720	7	φ15.88	φ9.52



5. Electrical Wiring Diagram



*Capacitor
 MODELS 20/25/32/40 1.5µF
 MODEL 50 2.0µF
 MODEL 63 2.5µF

SYMBOL EXPLANATION

SYMBOL	NAME	SYMBOL	NAME
MF	Fan motor	TH22	Thermistor (piping temp.detection/liquid)
C	*Capacitor (for MF)	TH23	Thermistor (piping temp.detection/gas)
I.B	Indoor controller board	SW 1 (A.B)	Switch (1st digit address set)
A.B	Address board	SW 12 (A.B)	Switch (2nd digit address set)
TB2	Power source terminal bed	SW 14 (A.B)	Switch (connection No.set)
TB5	Transmission terminal bed	SW 1 (A.B)	Switch(for mode selection)
TB15	Transmission terminal bed	SW 2 (I.B)	Switch(for capacity code)
F	Fuse AC250V 6.3A F	SW 3 (I.B)	Switch(for mode selection)
T	Transformer	SW 4 (I.B)	Switch(for model selection)
LEV	Electronic linear expan. valve	SW 5 (A.B)	Switch(for voltage selection)
S.B	Surge absorber board	X04 ~06	Aux.relay
TH21	Thermistor (inlet temp.detection)		

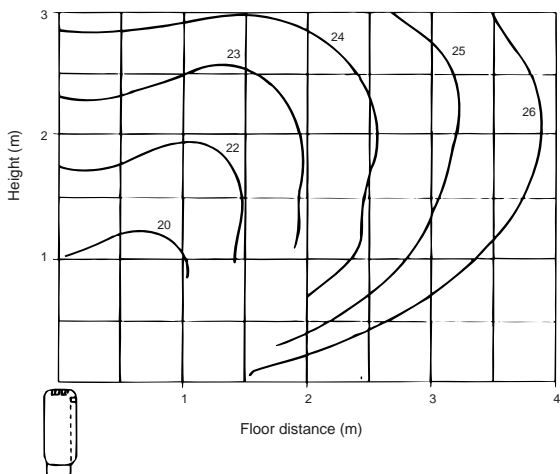
PFFY-P-VLEM-A/VLRM-A

6. Temperature/Airflow distribution

● Temperature distribution

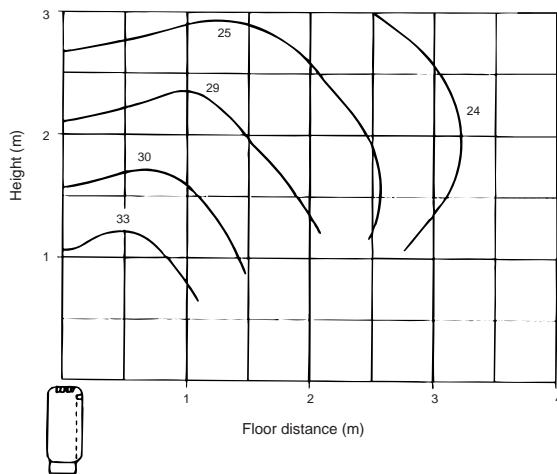
<Cooling mode>

Room temp. : 27°C



<Heating mode>

Room temp. : 20°C

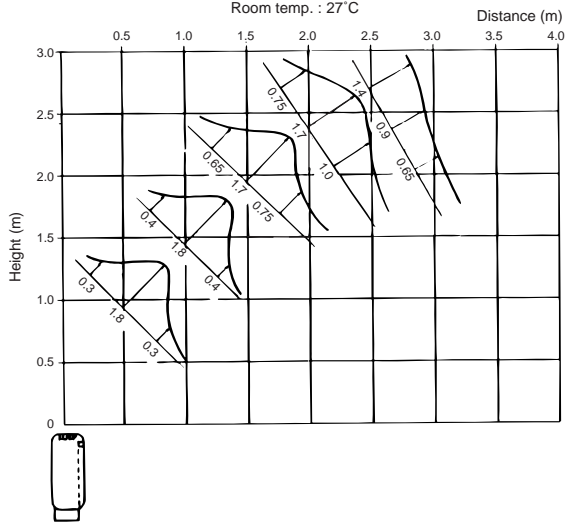


**PFFY-P-
VLEM-A/VLRM-A**

● Airflow distribution

<Cooling mode>

Room temp. : 27°C



<Heating mode>

Room temp. : 20°C

