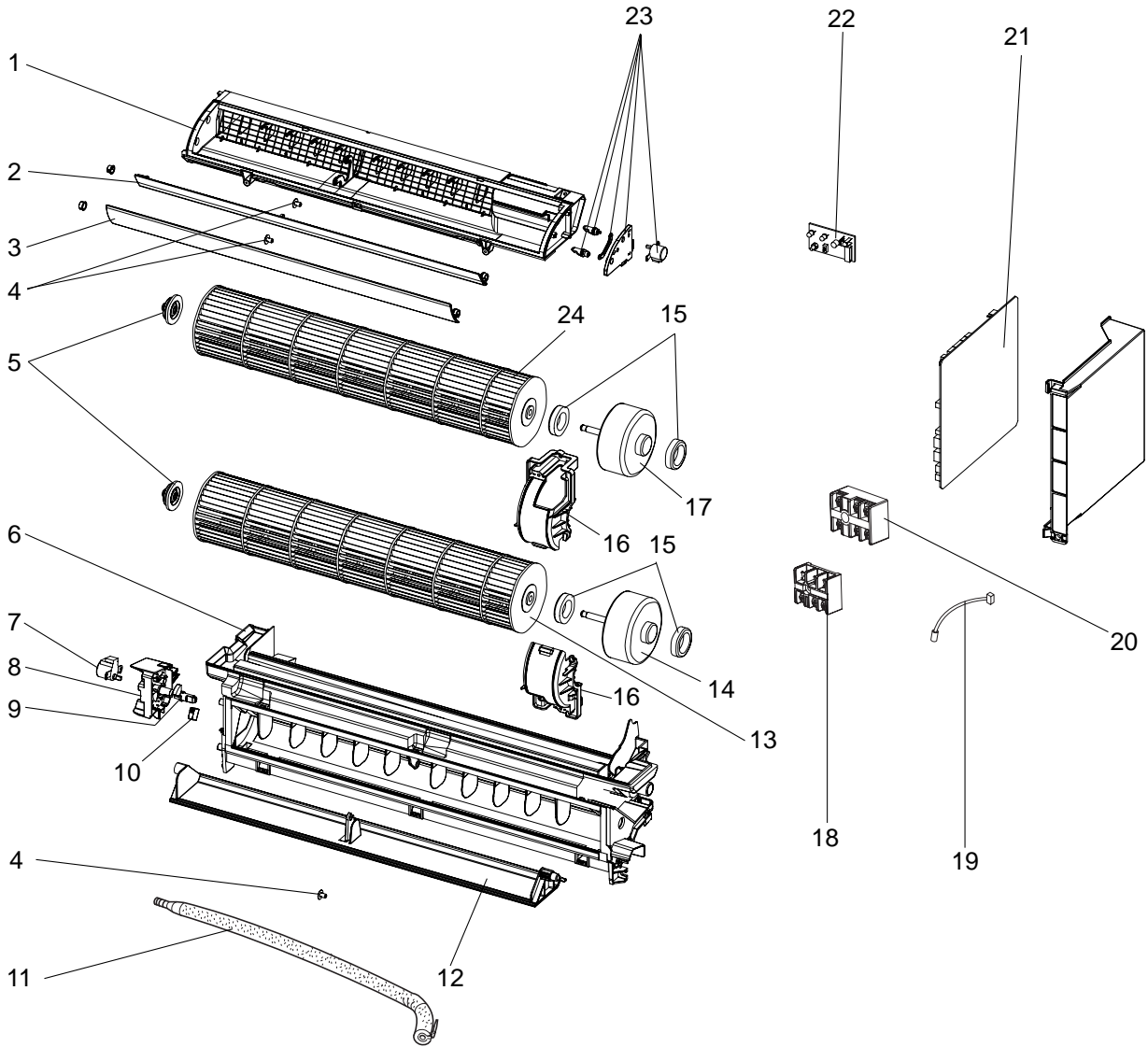


11-1. INDOOR UNIT ELECTRICAL PARTS AND FUNCTIONAL PARTS

PFFY-P20VKM-E  
 PFFY-P25VKM-E  
 PFFY-P32VKM-E  
 PFFY-P40VKM-E



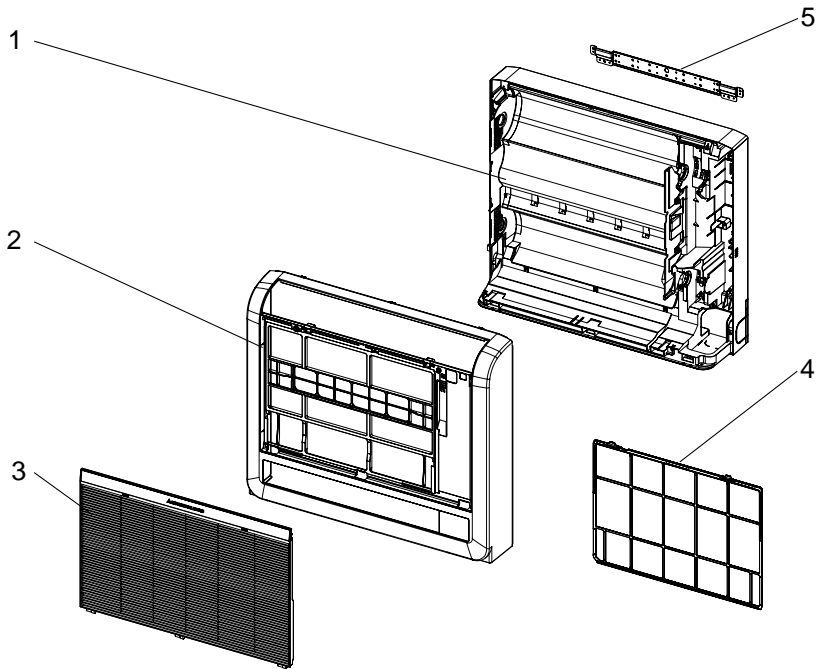
## 11-1. INDOOR UNIT ELECTRICAL PARTS AND FUNCTIONAL PARTS

Part number that is circled is not shown in the illustration.

No.	ROHS	Part No.	Part name	Symbol in Wiring Diagram	Q'ty/unit		Remarks
					PFFY-P20/25/32/40VKM-E		
1	G	T7W E00 530	NOZZLE ASSEMBLY (UPPER)			1	
2	G	T7W E07 002	HORIZONTAL VANE (UPPER)			1	
3	G	T7W E06 002	HORIZONTAL VANE (LOWER)			1	
4	G	T7W E01 103	VANE SLEEVE			3	
5	G	T7W E00 103	BEARING ASSEMBLY			2	
6	G	T7W E01 530	NOZZLE ASSEMBLY (LOWER)			1	
7	G	T7W E08 223	DAMPER MOTOR	MV2		1	UP & DOWN
8	G	T7W E09 130	VANE MOTOR SUPPORT			1	
9	G	T7W E00 170	SM SHAFT			1	
10	G	T7W E00 272	DAMPER LIMIT SWITCH (CLOSE)	LS		1	
11	G	T7W E03 527	DRAIN HOSE			1	
12	G	T7W E08 002	VANE UNDER			1	
13	G	T7W E04 114	LINE FLOW FAN (LOWER)			1	
14	G	T7W E26 762	INDOOR FAN MOTOR (LOWER)	MF2		1	ARW40Y8P30MS
15	G	T7W E00 105	RUBBER MOUNT (L,R)			2	
16	G	T7W E08 130	MOTOR BAND			2	
17	G	T7W E25 762	INDOOR FAM MOTOR (UPPER)	MF1		1	ARW40Z8P30MS
18	G	R01 E27 246	TERMINAL BLOCK	TB5		1	3P (M1, M2, S)
19	G	R01 H18 202	ROOM TEMPERATURE THERMISTOR	TH21		1	
20	G	T7W E37 716	TERMINAL BLOCK	TB2		1	3P (L, N, ⊕)
21	G	T7W E55 310	INDOOR CONTROLLER BOARD	I.B		1	
22	G	T7W E01 294	ADDRESS BOARD	A.B		1	
23	G	T7W E07 223	VANE MOTOR (SET)	MV1		1	UP&DOWN
24	G	T7W E03 114	LINE FLOW FAN (UPPER)			1	
25	G	R01 E06 239	FUSE	FUSE		1	6.3A

## 11-2. STRUCTURAL PARTS

PFFY-P20VKM-E  
PFFY-P25VKM-E  
PFFY-P32VKM-E  
PFFY-P40VKM-E

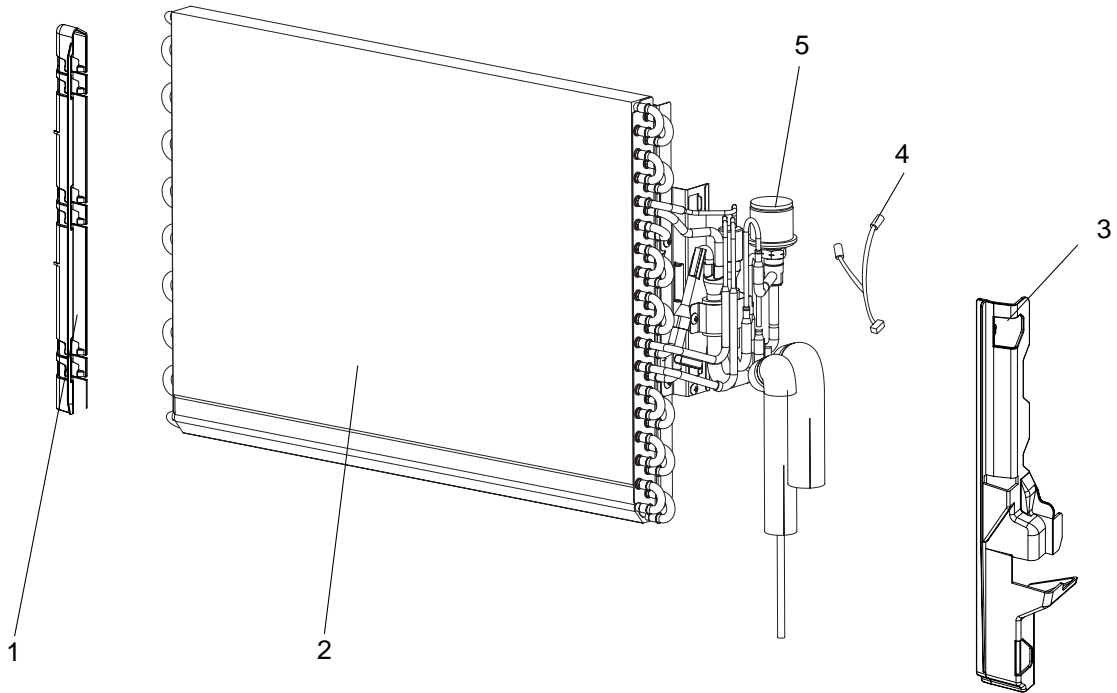


## 11-2. STRUCTURAL PARTS

No.	RoHS	Part No.	Part name	Symbol in Wiring Diagram	Q'ty/unit		Remarks
					PFFY-P20/25/32/40VKM-E		
1	G	T7W E01 635	BOX			1	
2	G	T7W E06 651	PANEL ASSEMBLY			1	
3	G	T7W E05 691	FRONT PANEL			1	
4	G	T7W E01 500	CATECHIN AIR FILTER			1	
5	G	T7W E01 808	BACK PLATE			1	

### 11-3. INDOOR UNIT HEAT EXCHANGER

PFFY-P20VKM-E  
PFFY-P25VKM-E  
PFFY-P32VKM-E  
PFFY-P40VKM-E



### 11-3. INDOOR UNIT HEAT EXCHANGER

No.	RoHS	Part No.	Part name	Symbol in Wiring Diagram	Q'ty/unit	Remarks
					PFFY-P20/25/32/40VKM-E	
1	G	T7W E00 031	HAIR PIN COVER		1	
2	G	T7W H56 480	INDOOR HEAT EXCHANGER		1	
3	G	T7W E01 031	WATER COVER		1	
4	G	T7W E16 202	PIPE TEMPERATURE THERMISTOR	TH22,TH23	1	
5	G	T7W E19 401	EXPANSION VALVE	LEV	1	