



PFFY-P-VKM-E



PFFY-P-VLEM-E

**PFFY-P-VKM-E
PFFY-P-VLEM-E
PFFY-P-VLRM-E**



PFFY-P-VLRM-E

1. SPECIFICATIONS	IU-J- 2
2. CAPACITY TABLES	
2-1a. Cooling capacity in combination with PUHY,PUY, PURY-P200, 250YGM	IU-J- 6
2-1b. Heating capacity in combination with PUHY, PURY-P200, 250YGM	IU-J- 8
2-2a. Cooling capacity in combination with PUHY,PUY,PURY-P300,350YGM / PUHY,PURY-P400YGM	IU-J- 10
2-2b. Heating capacity in combination with PUHY, PURY-P300, 350, 400YGM	IU-J- 12
2-3a. Cooling capacity in combination with PUHY,PURY-P450, 500, 550, 600, 650YGM	IU-J- 14
2-3b. Heating capacity in combination with PUHY,PURY-P450, 500, 550, 600, 650YGM	IU-J- 16
2-4a. Cooling capacity in combination with PUHY-P700-1250YSGM	IU-J- 18
2-4b. Heating capacity in combination with PUHY-P700-1250YSGM	IU-J- 20
2-5a. Cooling capacity in combination with PQHY,PQRY-P200,250YGM, PQHY,PQRY-P400,500YSGM	IU-J- 22
2-5b. Heating capacity in combination with PQHY,PQRY-P200,250YGM, PQHY,PQRY-P400,500YSGM	IU-J- 24
2-6a. Cooling capacity in combination with PUMY-P100,125,140YHM,VHM	IU-J- 26
2-6b. Heating capacity in combination with PUMY-P100,125,140YHM,VHM	IU-J- 28
3. SOUND LEVELS	
3-1. Sound levels	IU-J- 30
3-2. NC curves	IU-J- 31
4. EXTERNAL DIMENSIONS	IU-J- 32
5. ELECTRICAL WIRING DIAGRAMS	IU-J- 35
6. TEMPERATURE/AIRFLOW DISTRIBUTIONS	
6-1. Temperature distributions	IU-J- 37
6-2. Airflow distributions	IU-J- 38

Floor standing	P20	P25	P32	P40	P50	P63	P71	P80	P100	P125	P140	P200	P250
	0.8HP	1.0HP	1.3HP	1.6HP	2.0HP	2.5HP	2.8HP	3.2HP	4.0HP	5.0HP	5.6HP	8.0HP	10.0HP
PFFY-P-VKM-E	●	●	●	●									
PFFY-P-VLEM-E	●	●	●	●	●	●							
PFFY-P-VLRM-E	●	●	●	●	●	●							

1. SPECIFICATIONS

R410A Data G3

Model			PFFY-P20VKM-E	PFFY-P25VKM-E	PFFY-P32VKM-E	PFFY-P40VKM-E	
Power source			1-phase 220-230-240V 50Hz				
Cooling capacity (Nominal)	*1	kW	2.2	2.8	3.6	4.5	
		kcal / h	1,900	2,400	3,100	3,900	
		Btu / h	7,500	9,600	12,300	15,400	
	*2	kcal / h	2,000	2,500	3,200	4,000	
		Power input	kW	0.025	0.025	0.025	0.028
		Current input	A	0.20	0.20	0.24	
Heating capacity (Nominal)	*3	kW	2.5	3.2	4.0	5.0	
		kcal / h	2,200	2,800	3,400	4,300	
		Btu / h	8,500	10,900	13,600	17,100	
	*3	Power input	kW	0.025	0.025	0.025	0.028
		Current input	A	0.20	0.20	0.20	0.24
External finish			Plastic (Pure White)				
External dimension H x W x D		mm	600 x 700 x 200				
		in.	23-5/8" x 27-9/16" x 7-7/8"				
Net weight		kg (lb)	15 (34)				
Heat exchanger			Cross fin (Aluminium fin and copper tube)				
FAN	Type x Quantity		Line flow fan x 2				
	External static press.	Pa	0				
		mmH ₂ O	0				
	Motor type		DC motor				
	Motor output	kW	0.03 x 2				
	Driving mechanism		Direct-drive				
	Airflow rate (Low-Mid-High)	m ³ / min	5.9 - 6.8 - 7.6 - 8.7	6.1 - 7.0 - 8.0 - 9.1	6.1 - 7.0 - 8.0 - 9.1	8.0 - 9.0 - 9.5 - 10.7	
L / s		98 - 113 - 127 - 145	102 - 117 - 133 - 152	102 - 117 - 133 - 152	133 - 150 - 158 - 178		
	cfm	208 - 240 - 268 - 307	215 - 247 - 283 - 321	215 - 247 - 283 - 321	283 - 318 - 335 - 378		
Noise level (Low-Mid-High) (measured in anechoic room)		dB <A>	27 - 31 - 34 - 37	28 - 32 - 35 - 38	28 - 32 - 35 - 38	35 - 38 - 42 - 44	
Insulation material			Polyethylene sheet				
Air filter			PP honeycomb fabric (Catechin air filter)				
Protection device			Fuse				
Refrigerant control device			LEV				
Connectable outdoor unit			R410A, R407C, R22 CITY MULTI				
Diameter of refrigerant pipe	Liquid (R410A) (R22, R407C)	mm (in.)	ø6.35 (ø1/4") Flare				
		mm (in.)	ø6.35 (ø1/4") Flare				
	Gas (R410A) (R22, R407C)	mm (in.)	ø12.7 (ø1/2") Flare				
		mm (in.)	ø12.7 (ø1/2") Flare				
Field drain pipe size		mm (in.)	I.D. 16mm (5/8")				
Drawing	External		IU-BK01-B517				
	Wiring		IU-RG79-V367				
	Refrigerant cycle		-				
Standard attachment	Document		Installation Manual, Instruction Book				
	Accessory						
Remark	Optional parts		-				
	Installation		Details on foundation work, duct work, insulation work, electrical wiring, power source switch, and other items shall be referred to the Installation Manual.				

Note :	*1 Nominal cooling conditions	*2 Nominal cooling conditions	*3 Nominal heating conditions	Unit converter
Indoor :	27°CDB/19°CWB (81°FDB/66°FWB)	27°CDB/19.5°CWB (81°FDB/67°FWB)	20°CDB (68°FDB)	kcal/h = kW x 860
Outdoor :	35°CDB (95°FDB)	35°CDB (95°FDB)	7°CDB/6°CWB (45°FDB/43°FWB)	Btu/h = kW x 3,412
Pipe length :	7.5 m (24-9/16 ft)	5 m (16-3/8 ft)	7.5 m (24-9/16 ft)	cfm = m ³ /min x 35.31
Level difference :	0 m (0 ft)	0 m (0 ft)	0 m (0 ft)	lb = kg / 0.4536
* Nominal conditions *1, *3 are subject to JIS B8615-1.				*Above specification data is subject to rounding variation.
* Due to continuing improvement, above specification may be subject to change without notice.				

Ref.: Spec_PFFY-P-VKM-E_1

1. SPECIFICATIONS

R410A Data G3

Model			PFFY-P20VLEM-E	PFFY-P25VLEM-E	PFFY-P32VLEM-E	PFFY-P40VLEM-E	
Power source			1-phase 220-240V 50Hz, 1-phase 208-230V 60Hz				
Cooling capacity (Nominal)	*1	kW	2.2	2.8	3.6	4.5	
		kcal / h	1,900	2,400	3,100	3,900	
		Btu / h	7,500	9,600	12,300	15,400	
	*2	kcal / h	2,000	2,500	3,150	4,000	
		Power input	kW	0.04 / 0.06	0.04 / 0.06	0.06 / 0.07	0.065 / 0.075
Current input		A	0.19 / 0.25	0.19 / 0.25	0.29/0.30	0.32 / 0.33	
Heating capacity (Nominal)	*3	kW	2.5	3.2	4.0	5.0	
		kcal / h	2,200	2,800	3,400	4,300	
		Btu / h	8,500	10,900	13,600	17,100	
	Power input	kW	0.04 / 0.06	0.04 / 0.06	0.06 / 0.07	0.065 / 0.075	
		Current input	A	0.19 / 0.25	0.19 / 0.25	0.29 / 0.30	0.32 / 0.33
External finish			Acrylic painted, MUNSELL (5Y 8/1)				
External dimension H x W x D		mm	630 x 1,050 x 220	630 x 1,050 x 220	630 x 1,170 x 220	630 x 1,170 x 220	
		in.	24-13/16" x 41-3/8" x 8-11/16"	24-13/16" x 41-3/8" x 8-11/16"	24-13/16" x 46-1/8" x 8-11/16"	24-13/16" x 46-1/8" x 8-11/16"	
Net weight		kg (lb)	23 (51)	23 (51)	25 (56)	26 (58)	
Heat exchanger			Cross fin (Aluminium fin and copper tube)				
FAN	Type x Quantity		Sirocco fan x 1	Sirocco fan x 1	Sirocco fan x 2	Sirocco fan x 2	
	External static press.	Pa	0	0	0	0	
		mmH ₂ O	0	0	0	0	
	Motor type		1-phase induction motor				
	Motor output		kW	0.015	0.015	0.018	0.030
	Driving mechanism		Direct-driven by motor				
	Airflow rate (Low-Mid-High)	m ³ / min	5.5 - 6.5	5.5 - 6.5	7.0 - 9.0	9.0 - 11.0	
		L / s	92 - 108	92 - 108	117 - 150	150 - 183	
cfm		194 - 230	194 - 230	247 - 318	318 - 388		
Noise level (Low-Mid-High) (measured in anechoic room)	dB <A>		32 - 38 (220V, 50Hz)	32 - 38 (220V, 50Hz)	33 - 38 (220V, 50Hz)	36 - 41 (220V, 50Hz)	
	dB <A>		33 - 39 (230V, 50Hz)	33 - 39 (230V, 50Hz)	34 - 39 (230V, 50Hz)	37 - 42 (230V, 50Hz)	
	dB <A>		34 - 40 (240V, 50Hz)	34 - 40 (240V, 50Hz)	35 - 40 (240V, 50Hz)	38 - 43 (240V, 50Hz)	
Insulation material			Polyethylene foam, Urethane foam				
Air filter			PP honeycomb fabric (washable)				
Protection device			Fuse				
Refrigerant control device			LEV				
Connectable outdoor unit			R410A, R407C, R22 CITY MULTI				
Diameter of refrigerant pipe	Liquid (R410A) (R22, R407C)	mm (in.)	ø6.35 (ø1/4") Flare	ø6.35 (ø1/4") Flare	ø6.35 (ø1/4") Flare	ø6.35 (ø1/4") Flare	
		mm (in.)	ø6.35 (ø1/4") Flare	ø6.35 (ø1/4") Flare	ø6.35 (ø1/4") Flare	ø6.35 (ø1/4") Flare	
	Gas (R410A) (R22, R407C)	mm (in.)	ø12.7 (ø1/2") Flare	ø12.7 (ø1/2") Flare	ø12.7 (ø1/2") Flare	ø12.7 (ø1/2") Flare	
Field drain pipe size		mm (in.)	I.D. 26mm (1")				
Drawing	External		IU-W65-3950				
	Wiring		IU-W65-3960				
	Refrigerant cycle		-				
Standard attachment	Document		Installation Manual, Instruction Book				
	Accessory		Drain hose (O.D.27mm(1-3/32"), (End O.D.20mm(13/16"))) (flexible joint)				
Remark	Optional parts		-				
	Installation		Details on foundation work, duct work, insulation work, electrical wiring, power source switch, and other items shall be referred to the Installation Manual.				
Note :			*:1 Nominal cooling conditions	*:2 Nominal cooling conditions	*:3 Nominal heating conditions	Unit converter	
Indoor :			27°CDB/19°CWB (81°FDB/66°FWB)	27°CDB/19.5°CWB (81°FDB/67°FWB)	20°CDB (68°FDB)	kcal/h = kW x 860	
Outdoor :			35°CDB (95°FDB)	35°CDB (95°FDB)	7°CDB/6°CWB (45°FDB/43°FWB)	Btu/h = kW x 3,412	
Pipe length :			7.5 m (24-9/16 ft)	5 m (16-3/8 ft)	7.5 m (24-9/16 ft)	cfm = m ³ /min x 35.31	
Level difference :			0 m (0 ft)	0 m (0 ft)	0 m (0 ft)	lb = kg / 0.4536	
* Nominal conditions *:1, *:3 are subject to JIS B8615-1.						*Above specification data is subject to rounding variation.	
* Due to continuing improvement, above specification may be subject to change without notice.							

Ref.: Spec_PFFY-P-VLE(R)M-E_1

1. SPECIFICATIONS

R410A Data G3

Model			PFFY-P50VLEM-E	PFFY-P63VLEM-E	PFFY-P20VLRM-E	PFFY-P25VLRM-E	
Power source			1-phase 220-240V 50Hz, 1-phase 208-230V 60Hz				
Cooling capacity (Nominal)	*1	kW	5.6	7.1	2.2	2.8	
		kcal / h	4,800	6,100	1,900	2,400	
		Btu / h	19,100	24,200	7,500	9,600	
	*2	kcal / h	5,000	6,300	2,000	2,500	
		Power input	kW	0.085 / 0.09	0.1 / 0.11	0.04 / 0.06	0.04 / 0.06
Current input		A	0.40 / 0.41	0.46 / 0.47	0.19 / 0.25	0.19 / 0.25	
Heating capacity (Nominal)	*3	kW	6.3	8.0	2.5	3.2	
		kcal / h	5,400	6,900	2,200	2,800	
		Btu / h	21,500	27,300	8,500	10,900	
	Power input	kW	0.085 / 0.09	0.1 / 0.11	0.04 / 0.06	0.04 / 0.06	
		Current input	A	0.40 / 0.41	0.46 / 0.47	0.19 / 0.25	0.19 / 0.25
External finish			Acrylic painted, MUNSELL (5Y 8/1)		Galvanized		
External dimension H x W x D		mm	630 x 1,410 x 220	630 x 1,410 x 220	639 x 886 x 220	639 x 886 x 220	
		in.	24-13/16" x 55-9/16" x 8-11/16"	24-13/16" x 55-9/16" x 8-11/16"	25-3/16" x 34-15/16" x 8-11/16"	25-3/16" x 34-15/16" x 8-11/16"	
Net weight		kg (lb)	30 (67)	32 (71)	18.5 (41)	18.5 (41)	
Heat exchanger			Cross fin (Aluminium fin and copper tube)				
FAN	Type x Quantity		Sirocco fan x 2	Sirocco fan x 2	Sirocco fan x 1	Sirocco fan x 1	
	External static press.	Pa	0	0	0	0	
		mmH ₂ O	0	0	0	0	
	Motor type		1-phase induction motor				
	Motor output		kW	0.035	0.063	0.015	0.015
	Driving mechanism		Direct-driven by motor				
	Airflow rate (Low-Mid-High)	m ³ / min	12.0 - 14.0	12.0 - 15.5	5.5 - 6.5	5.5 - 6.5	
		L / s	200 - 233	200 - 258	92 - 108	92 - 108	
cfm		424 - 494	424 - 547	194 - 230	194 - 230		
Noise level (Low-Mid-High) (measured in anechoic room)	dB <A>		36 - 41 (220V, 50Hz)	38 - 44 (220V, 50Hz)	32 - 38 (220V, 50Hz)	32 - 38 (220V, 50Hz)	
	dB <A>		37 - 42 (230V, 50Hz)	39 - 45 (230V, 50Hz)	33 - 39 (230V, 50Hz)	33 - 39 (230V, 50Hz)	
	dB <A>		38 - 43 (240V, 50Hz)	40 - 46 (240V, 50Hz)	34 - 40 (240V, 50Hz)	34 - 40 (240V, 50Hz)	
Insulation material			Polyethylene foam, Urethane foam				
Air filter			PP honeycomb fabric (washable)				
Protection device			Fuse				
Refrigerant control device			LEV				
Connectable outdoor unit			R410A, R407C, R22 CITY MULTI				
Diameter of refrigerant pipe	Liquid (R410A) (R22, R407C)	mm (in.)	ø6.35 (ø1/4") Flare	ø9.52 (ø3/8") Flare	ø6.35 (ø1/4") Flare	ø6.35 (ø1/4") Flare	
		mm (in.)	ø9.52 (ø3/8") Flare	ø9.52 (ø3/8") Flare	ø6.35 (ø1/4") Flare	ø6.35 (ø1/4") Flare	
	Gas (R410A) (R22, R407C)	mm (in.)	ø12.7 (ø1/2") Flare	ø15.88 (ø5/8") Flare	ø12.7 (ø1/2") Flare	ø12.7 (ø1/2") Flare	
Field drain pipe size		mm (in.)	I.D. 26mm (1")				
Drawing	External		IU-W65-3950	IU-W65-3950	IU-W65-3951	IU-W65-3951	
	Wiring		IU-W65-3960	IU-W65-3960	IU-W65-3960	IU-W65-3960	
	Refrigerant cycle		-	-	-	-	
Standard attachment	Document		Installation Manual, Instruction Book				
	Accessory		Drain hose (O.D.27mm(1-3/32"), (End O.D.20mm(13/16"))) (flexible joint)				
Remark	Optional parts		-				
	Installation		Details on foundation work, duct work, insulation work, electrical wiring, power source switch, and other items shall be referred to the Installation Manual.				

Note :	*1 Nominal cooling conditions	*2 Nominal cooling conditions	*3 Nominal heating conditions	Unit converter
	Indoor : 27°CDB/19°CWB (81°FDB/66°FWB)	27°CDB/19.5°CWB (81°FDB/67°FWB)	20°CDB (68°FDB)	kcal/h = kW x 860
	Outdoor : 35°CDB (95°FDB)	35°CDB (95°FDB)	7°CDB/6°CWB (45°FDB/43°FWB)	Btu/h = kW x 3,412
	Pipe length : 7.5 m (24-9/16 ft)	5 m (16-3/8 ft)	7.5 m (24-9/16 ft)	cfm = m ³ /min x 35.31
Level difference : 0 m (0 ft)	0 m (0 ft)	0 m (0 ft)	lb = kg / 0.4536	
* Nominal conditions *1, *3 are subject to JIS B8615-1.				*Above specification data is subject to rounding variation.
* Due to continuing improvement, above specification may be subject to change without notice.				

Ref.: Spec_PFFY-P-VLE(R)M-E_2

1. SPECIFICATIONS

R410A Data G3

Model			PFFY-P32VLRM-E	PFFY-P40VLRM-E	PFFY-P50VLRM-E	PFFY-P63VLRM-E	
Power source			1-phase 220-240V 50Hz, 1-phase 208-230V 60Hz				
Cooling capacity (Nominal)	*1	kW	3.6	4.5	5.6	7.1	
		kcal / h	3,100	3,900	4,800	6,100	
		Btu / h	12,300	15,400	19,100	24,200	
	*2	kcal / h	3,150	4,000	5,000	6,300	
		Power input	kW	0.06 / 0.07	0.065 / 0.075	0.085 / 0.09	0.1 / 0.11
		Current input	A	0.29 / 0.30	0.32 / 0.33	0.40 / 0.41	0.46 / 0.47
Heating capacity (Nominal)	*3	kW	4.0	5.0	6.3	8.0	
		kcal / h	3,400	4,300	5,400	6,900	
		Btu / h	13,600	17,100	21,500	27,300	
		Power input	kW	0.06 / 0.07	0.065 / 0.075	0.085 / 0.09	0.1 / 0.11
		Current input	A	0.29 / 0.30	0.32 / 0.33	0.40 / 0.41	0.46 / 0.47
External finish			Galvanized				
External dimension H x W x D		mm	639 x 1,006 x 220	639 x 1,006 x 220	639 x 1,246 x 220	639 x 1,246 x 220	
		in.	25-3/16" x 39-5/8" x 8-11/16"	25-3/16" x 39-5/8" x 8-11/16"	25-3/16" x 49-1/16" x 8-11/16"	25-3/16" x 49-1/16" x 8-11/16"	
Net weight		kg (lb)	20 (45)	21 (47)	25 (56)	27 (60)	
Heat exchanger			Cross fin (Aluminium fin and copper tube)				
FAN	Type x Quantity		Sirocco fan x 2	Sirocco fan x 2	Sirocco fan x 2	Sirocco fan x 2	
	External static press.	Pa	0	0	0	0	
		mmH ₂ O	0	0	0	0	
	Motor type		1-phase induction motor				
	Motor output		kW	0.018	0.030	0.035	0.063
	Driving mechanism		Direct-driven by motor				
	Airflow rate (Low-Mid-High)	m ³ / min	7.0 - 9.0	9.0 - 11.0	12.0 - 14.0	12.0 - 15.5	
		L / s	117 - 150	150 - 183	200 - 233	200 - 258	
cfm		247 - 318	318 - 388	424 - 494	424 - 547		
Noise level (Low-Mid-High) (measured in anechoic room)	dB <A>		33 - 38 (220V, 50Hz)	36 - 41 (220V, 50Hz)	36 - 41 (220V, 50Hz)	38 - 44 (220V, 50Hz)	
	dB <A>		34 - 39 (230V, 50Hz)	37 - 42 (230V, 50Hz)	37 - 42 (230V, 50Hz)	39 - 45 (230V, 50Hz)	
	dB <A>		35 - 40 (240V, 50Hz)	38 - 43 (240V, 50Hz)	38 - 43 (240V, 50Hz)	40 - 46 (240V, 50Hz)	
Insulation material			Polyethylene foam, Urethane foam				
Air filter			PP honeycomb fabric (washable)				
Protection device			Fuse				
Refrigerant control device			LEV				
Connectable outdoor unit			R410A, R407C, R22 CITY MULTI				
Diameter of refrigerant pipe	Liquid (R410A) (R22, R407C)	mm (in.)	ø6.35 (ø1/4") Flare	ø6.35 (ø1/4") Flare	ø6.35 (ø1/4") Flare	ø9.52 (ø3/8") Flare	
		mm (in.)	ø6.35 (ø1/4") Flare	ø6.35 (ø1/4") Flare	ø9.52 (ø3/8") Flare	ø9.52 (ø3/8") Flare	
	Gas (R410A) (R22, R407C)	mm (in.)	ø12.7 (ø1/2") Flare	ø12.7 (ø1/2") Flare	ø12.7 (ø1/2") Flare	ø15.88 (ø5/8") Flare	
		mm (in.)	ø12.7 (ø1/2") Flare	ø12.7 (ø1/2") Flare	ø15.88 (ø5/8") Flare	ø15.88 (ø5/8") Flare	
Field drain pipe size		mm (in.)	I.D. 26mm (1")				
Drawing	External		IU-W65-3951				
	Wiring		IU-W65-3960				
	Refrigerant cycle		-				
Standard attachment	Document		Installation Manual, Instruction Book				
	Accessory		Drain hose (O.D.27mm(1-3/32"), (End O.D.20mm(13/16"))) (flexible joint)				
Remark	Optional parts		-				
	Installation		Details on foundation work, duct work, insulation work, electrical wiring, power source switch, and other items shall be referred to the Installation Manual.				
Note :			*:1 Nominal cooling conditions	*:2 Nominal cooling conditions	*:3 Nominal heating conditions	Unit converter	
Indoor :			27°CDB/19°CWB (81°FDB/66°FWB)	27°CDB/19.5°CWB (81°FDB/67°FWB)	20°CDB (68°FDB)	kcal/h = kW x 860	
Outdoor :			35°CDB (95°FDB)	35°CDB (95°FDB)	7°CDB/6°CWB (45°FDB/43°FWB)	Btu/h = kW x 3,412	
Pipe length :			7.5 m (24-9/16 ft)	5 m (16-3/8 ft)	7.5 m (24-9/16 ft)	cfm = m ³ /min x 35.31	
Level difference :			0 m (0 ft)	0 m (0 ft)	0 m (0 ft)	lb = kg / 0.4536	
* Nominal conditions *:1, *:3 are subject to JIS B8615-1.						*Above specification data is subject to rounding variation.	
* Due to continuing improvement, above specification may be subject to change without notice.							

Ref.: Spec_PFFY-P-VLE(R)M-E_3

2. CAPACITY TABLES

R410A Data G3

2-1a. Cooling capacity in combination with PUHY,PUY,PURY-P200,250YGM

PFFY-P-VKM-E

CA : Capacity(kW) SHC : Sensible Heat Capacity(kW)

Model size (Rated kW)	Outdoor air temp.		Indoor air temp.													
			71 °FDB / 59°F WB		73°FDB / 61°F WB		77°FDB / 64°F WB		81°FDB / 66°F WB		82°FDB / 68°F WB		86°FDB / 72°F WB		90°FDB / 75°F WB	
	°FDB	°CDB	21.5°CDB / 15°CWB	SHC	23°CDB / 16°CWB	SHC	25°CDB / 18°CWB	SHC	27°CDB / 19°CWB	SHC	28°CDB / 20°CWB	SHC	30°CDB / 22°CWB	SHC	32°CDB / 24°CWB	SHC
20 (2.2)	68	20.0	2.1	1.7	2.2	1.7	2.3	1.7	2.4	1.8	2.5	1.8	2.6	1.8	2.8	1.8
	73	22.5	2.1	1.7	2.2	1.7	2.3	1.7	2.4	1.8	2.5	1.8	2.6	1.8	2.8	1.8
	77	25.0	2.1	1.7	2.2	1.7	2.3	1.7	2.4	1.8	2.4	1.8	2.6	1.8	2.7	1.8
	82	27.5	2.1	1.7	2.1	1.7	2.3	1.7	2.3	1.7	2.4	1.8	2.5	1.8	2.7	1.7
	86	30.0	2.0	1.7	2.1	1.7	2.2	1.7	2.3	1.7	2.3	1.8	2.5	1.8	2.6	1.7
	91	32.5	2.0	1.6	2.1	1.7	2.2	1.7	2.2	1.7	2.3	1.8	2.4	1.7	2.6	1.7
	95	35.0	2.0	1.6	2.0	1.7	2.1	1.7	2.2	1.7	2.3	1.7	2.4	1.7	2.5	1.7
	100	37.5	1.9	1.6	2.0	1.6	2.1	1.6	2.1	1.7	2.2	1.7	2.3	1.7	2.5	1.7
	104	40.0	1.9	1.6	1.9	1.6	2.1	1.6	2.1	1.6	2.2	1.7	2.3	1.7	2.4	1.7
110	43.0	1.8	1.6	1.9	1.6	2.0	1.6	2.0	1.6	2.1	1.7	2.2	1.7	2.4	1.6	
25 (2.8)	68	20.0	2.7	2.0	2.8	2.1	2.9	2.0	3.0	2.1	3.1	2.1	3.3	2.1	3.5	2.1
	73	22.5	2.7	2.0	2.8	2.1	2.9	2.0	3.0	2.1	3.1	2.1	3.3	2.1	3.5	2.1
	77	25.0	2.7	2.0	2.8	2.1	2.9	2.0	3.0	2.1	3.1	2.1	3.3	2.1	3.5	2.1
	82	27.5	2.6	2.0	2.7	2.0	2.9	2.0	3.0	2.0	3.1	2.1	3.2	2.1	3.4	2.1
	86	30.0	2.6	2.0	2.7	2.0	2.8	2.0	2.9	2.0	3.0	2.1	3.1	2.1	3.3	2.0
	91	32.5	2.5	1.9	2.6	2.0	2.8	2.0	2.8	2.0	2.9	2.1	3.1	2.0	3.3	2.0
	95	35.0	2.5	1.9	2.6	2.0	2.7	1.9	2.8	2.0	2.9	2.0	3.0	2.0	3.2	2.0
	100	37.5	2.5	1.9	2.5	1.9	2.7	1.9	2.7	1.9	2.8	2.0	3.0	2.0	3.1	2.0
	104	40.0	2.4	1.9	2.5	1.9	2.6	1.9	2.7	1.9	2.8	2.0	2.9	2.0	3.1	1.9
110	43.0	2.4	1.8	2.4	1.9	2.6	1.9	2.6	1.9	2.7	2.0	2.8	1.9	3.0	1.9	
32 (3.6)	68	20.0	3.4	2.4	3.5	2.5	3.8	2.5	3.9	2.5	4.0	2.6	4.2	2.6	4.6	2.5
	73	22.5	3.4	2.4	3.5	2.5	3.8	2.5	3.9	2.5	4.0	2.6	4.2	2.6	4.6	2.5
	77	25.0	3.4	2.4	3.5	2.5	3.8	2.5	3.9	2.5	4.0	2.6	4.2	2.5	4.5	2.5
	82	27.5	3.4	2.4	3.5	2.5	3.7	2.4	3.8	2.5	3.9	2.6	4.1	2.5	4.4	2.5
	86	30.0	3.3	2.4	3.4	2.4	3.6	2.4	3.7	2.4	3.8	2.5	4.0	2.5	4.3	2.4
	91	32.5	3.3	2.3	3.4	2.4	3.6	2.4	3.7	2.4	3.8	2.5	4.0	2.4	4.2	2.4
	95	35.0	3.2	2.3	3.3	2.4	3.5	2.4	3.6	2.4	3.7	2.5	3.9	2.4	4.1	2.4
	100	37.5	3.2	2.3	3.2	2.3	3.4	2.3	3.5	2.3	3.6	2.4	3.8	2.4	4.0	2.3
	104	40.0	3.1	2.3	3.2	2.3	3.4	2.3	3.5	2.3	3.6	2.4	3.7	2.3	4.0	2.3
110	43.0	3.0	2.2	3.1	2.3	3.3	2.3	3.3	2.3	3.5	2.4	3.6	2.3	3.9	2.3	
40 (4.5)	68	20.0	4.3	3.0	4.4	3.1	4.7	3.1	4.9	3.1	5.0	3.2	5.3	3.2	5.7	3.1
	73	22.5	4.3	3.0	4.4	3.1	4.7	3.1	4.9	3.1	5.0	3.2	5.3	3.2	5.7	3.1
	77	25.0	4.3	3.0	4.4	3.1	4.7	3.1	4.9	3.1	5.0	3.2	5.3	3.1	5.6	3.1
	82	27.5	4.3	3.0	4.4	3.1	4.6	3.0	4.8	3.0	4.9	3.1	5.2	3.1	5.5	3.0
	86	30.0	4.2	2.9	4.3	3.0	4.6	3.0	4.7	3.0	4.8	3.1	5.0	3.0	5.4	3.0
	91	32.5	4.1	2.9	4.2	3.0	4.5	2.9	4.6	3.0	4.7	3.1	5.0	3.0	5.3	3.0
	95	35.0	4.0	2.9	4.1	2.9	4.4	2.9	4.5	2.9	4.6	3.0	4.9	3.0	5.2	2.9
	100	37.5	3.9	2.8	4.1	2.9	4.3	2.9	4.4	2.9	4.5	3.0	4.8	2.9	5.0	2.9
	104	40.0	3.9	2.8	4.0	2.9	4.2	2.8	4.3	2.8	4.5	2.9	4.7	2.9	5.0	2.8
110	43.0	3.8	2.7	3.9	2.8	4.1	2.8	4.2	2.8	4.3	2.9	4.5	2.8	4.8	2.8	

kcal/h = kW x 860, Btu/h = kW x 3,412

2. CAPACITY TABLES

R410A Data G3

2-1a. Cooling capacity in combination with PUHY,PUY,PURY-P200,250YGM

PFFY-P-VLEM-E,VLRM-E

CA : Capacity(kW) SHC : Sensible Heat Capacity(kW)

Model size (Rated kW)	Outdoor air temp.		Indoor air temp.													
			71°FDB / 59°FWB 21.5°CDB / 15°CWB		73°FDB / 61°FWB 23°CDB / 16°CWB		77°FDB / 64°FWB 25°CDB / 18°CWB		81°FDB / 66°FWB 27°CDB / 19°CWB		82°FDB / 68°FWB 28°CDB / 20°CWB		86°FDB / 72°FWB 30°CDB / 22°CWB		90°FDB / 75°FWB 32°CDB / 24°CWB	
	°FDB	°CDB	CA	SHC	CA	SHC	CA	SHC	CA	SHC	CA	SHC	CA	SHC	CA	SHC
20 (2.2)	68	20.0	2.1	1.9	2.2	2.0	2.3	1.9	2.4	2.0	2.5	2.1	2.6	2.0	2.8	2.0
	73	22.5	2.1	1.9	2.2	2.0	2.3	1.9	2.4	2.0	2.5	2.1	2.6	2.0	2.8	2.0
	77	25.0	2.1	1.9	2.2	2.0	2.3	1.9	2.4	2.0	2.4	2.1	2.6	2.0	2.7	2.0
	82	27.5	2.1	1.9	2.1	1.9	2.3	1.9	2.3	2.0	2.4	2.1	2.5	2.0	2.7	2.0
	86	30.0	2.0	1.9	2.1	1.9	2.2	1.9	2.3	2.0	2.3	2.0	2.5	2.0	2.6	2.0
	91	32.5	2.0	1.8	2.1	1.9	2.2	1.9	2.2	1.9	2.3	2.0	2.4	2.0	2.6	2.0
	95	35.0	2.0	1.8	2.0	1.9	2.1	1.9	2.2	1.9	2.3	2.0	2.4	2.0	2.5	1.9
	100	37.5	1.9	1.8	2.0	1.9	2.1	1.9	2.1	1.9	2.2	2.0	2.3	2.0	2.5	1.9
	104	40.0	1.9	1.8	1.9	1.9	2.1	1.8	2.1	1.9	2.2	2.0	2.3	1.9	2.4	1.9
110	43.0	1.8	1.8	1.9	1.8	2.0	1.8	2.0	1.9	2.1	1.9	2.2	1.9	2.4	1.9	
25 (2.8)	68	20.0	2.7	2.1	2.8	2.2	2.9	2.2	3.0	2.2	3.1	2.3	3.3	2.3	3.5	2.3
	73	22.5	2.7	2.1	2.8	2.2	2.9	2.2	3.0	2.2	3.1	2.3	3.3	2.3	3.5	2.3
	77	25.0	2.7	2.1	2.8	2.2	2.9	2.2	3.0	2.2	3.1	2.3	3.3	2.3	3.5	2.3
	82	27.5	2.6	2.1	2.7	2.2	2.9	2.2	3.0	2.2	3.1	2.3	3.2	2.3	3.4	2.2
	86	30.0	2.6	2.1	2.7	2.2	2.8	2.2	2.9	2.2	3.0	2.3	3.1	2.2	3.3	2.2
	91	32.5	2.5	2.1	2.6	2.2	2.8	2.1	2.8	2.2	2.9	2.3	3.1	2.2	3.3	2.2
	95	35.0	2.5	2.1	2.6	2.1	2.7	2.1	2.8	2.2	2.9	2.2	3.0	2.2	3.2	2.2
	100	37.5	2.5	2.0	2.5	2.1	2.7	2.1	2.7	2.1	2.8	2.2	3.0	2.2	3.1	2.1
	104	40.0	2.4	2.0	2.5	2.1	2.6	2.1	2.7	2.1	2.8	2.2	2.9	2.2	3.1	2.1
110	43.0	2.4	2.0	2.4	2.1	2.6	2.0	2.6	2.1	2.7	2.2	2.8	2.1	3.0	2.1	
32 (3.6)	68	20.0	3.4	2.5	3.5	2.6	3.8	2.5	3.9	2.6	4.0	2.7	4.2	2.6	4.6	2.6
	73	22.5	3.4	2.5	3.5	2.6	3.8	2.5	3.9	2.6	4.0	2.7	4.2	2.6	4.6	2.6
	77	25.0	3.4	2.5	3.5	2.6	3.8	2.5	3.9	2.6	4.0	2.6	4.2	2.6	4.5	2.6
	82	27.5	3.4	2.5	3.5	2.5	3.7	2.5	3.8	2.5	3.9	2.6	4.1	2.6	4.4	2.5
	86	30.0	3.3	2.4	3.4	2.5	3.6	2.5	3.7	2.5	3.8	2.6	4.0	2.5	4.3	2.5
	91	32.5	3.3	2.4	3.4	2.5	3.6	2.4	3.7	2.5	3.8	2.6	4.0	2.5	4.2	2.5
	95	35.0	3.2	2.4	3.3	2.4	3.5	2.4	3.6	2.4	3.7	2.5	3.9	2.5	4.1	2.4
	100	37.5	3.2	2.3	3.2	2.4	3.4	2.4	3.5	2.4	3.6	2.5	3.8	2.5	4.0	2.4
	104	40.0	3.1	2.3	3.2	2.4	3.4	2.4	3.5	2.4	3.6	2.5	3.7	2.4	4.0	2.4
110	43.0	3.0	2.3	3.1	2.3	3.3	2.3	3.3	2.3	3.5	2.4	3.6	2.4	3.9	2.3	
40 (4.5)	68	20.0	4.3	3.1	4.4	3.2	4.7	3.2	4.9	3.2	5.0	3.3	5.3	3.3	5.7	3.3
	73	22.5	4.3	3.1	4.4	3.2	4.7	3.2	4.9	3.2	5.0	3.3	5.3	3.3	5.7	3.3
	77	25.0	4.3	3.1	4.4	3.2	4.7	3.2	4.9	3.2	5.0	3.3	5.3	3.3	5.6	3.2
	82	27.5	4.3	3.1	4.4	3.2	4.6	3.1	4.8	3.2	4.9	3.3	5.2	3.2	5.5	3.2
	86	30.0	4.2	3.1	4.3	3.1	4.6	3.1	4.7	3.1	4.8	3.3	5.0	3.2	5.4	3.2
	91	32.5	4.1	3.0	4.2	3.1	4.5	3.1	4.6	3.1	4.7	3.2	5.0	3.2	5.3	3.1
	95	35.0	4.0	3.0	4.1	3.1	4.4	3.0	4.5	3.1	4.6	3.2	4.9	3.1	5.2	3.1
	100	37.5	3.9	2.9	4.1	3.0	4.3	3.0	4.4	3.0	4.5	3.1	4.8	3.1	5.0	3.0
	104	40.0	3.9	2.9	4.0	3.0	4.2	3.0	4.3	3.0	4.5	3.1	4.7	3.0	5.0	3.0
110	43.0	3.8	2.9	3.9	3.0	4.1	2.9	4.2	2.9	4.3	3.1	4.5	3.0	4.8	3.0	
50 (5.6)	68	20.0	5.3	3.9	5.5	4.1	5.9	4.0	6.0	4.1	6.2	4.2	6.6	4.2	7.1	4.1
	73	22.5	5.3	3.9	5.5	4.1	5.9	4.0	6.0	4.1	6.2	4.2	6.6	4.2	7.1	4.1
	77	25.0	5.3	3.9	5.5	4.1	5.9	4.0	6.0	4.1	6.2	4.2	6.6	4.2	6.9	4.1
	82	27.5	5.3	3.9	5.5	4.0	5.8	4.0	5.9	4.0	6.1	4.2	6.4	4.1	6.8	4.0
	86	30.0	5.2	3.9	5.3	4.0	5.7	3.9	5.8	4.0	6.0	4.1	6.3	4.0	6.7	4.0
	91	32.5	5.1	3.8	5.3	3.9	5.5	3.9	5.7	3.9	5.9	4.1	6.2	4.0	6.6	3.9
	95	35.0	5.0	3.8	5.2	3.9	5.5	3.8	5.6	3.9	5.7	4.0	6.0	4.0	6.4	3.9
	100	37.5	4.9	3.7	5.0	3.8	5.3	3.8	5.5	3.8	5.6	4.0	5.9	3.9	6.3	3.8
	104	40.0	4.8	3.7	5.0	3.8	5.3	3.8	5.4	3.8	5.5	3.9	5.8	3.9	6.2	3.8
110	43.0	4.7	3.6	4.8	3.7	5.1	3.7	5.2	3.7	5.4	3.9	5.7	3.8	6.0	3.7	
63 (7.1)	68	20.0	6.7	4.9	7.0	5.0	7.5	5.0	7.7	5.0	7.9	5.2	8.4	5.1	9.0	5.1
	73	22.5	6.7	4.9	7.0	5.0	7.5	5.0	7.7	5.0	7.9	5.2	8.4	5.1	9.0	5.1
	77	25.0	6.7	4.9	7.0	5.0	7.5	5.0	7.7	5.0	7.8	5.2	8.3	5.1	8.8	5.0
	82	27.5	6.7	4.9	6.9	5.0	7.3	4.9	7.5	5.0	7.7	5.1	8.1	5.0	8.7	5.0
	86	30.0	6.6	4.8	6.8	4.9	7.2	4.9	7.4	4.9	7.6	5.1	8.0	5.0	8.5	4.9
	91	32.5	6.5	4.7	6.7	4.9	7.0	4.8	7.2	4.8	7.4	5.0	7.8	4.9	8.3	4.9
	95	35.0	6.4	4.7	6.5	4.8	6.9	4.7	7.1	4.8	7.3	5.0	7.7	4.9	8.1	4.8
	100	37.5	6.2	4.6	6.4	4.7	6.8	4.7	6.9	4.7	7.1	4.9	7.5	4.8	8.0	4.7
	104	40.0	6.1	4.5	6.3	4.7	6.7	4.6	6.8	4.7	7.0	4.8	7.3	4.7	7.8	4.7
110	43.0	6.0	4.5	6.1	4.6	6.5	4.5	6.6	4.6	6.8	4.8	7.2	4.7	7.6	4.6	

kcal/h = kW x 860, Btu/h = kW x 3,412

2. CAPACITY TABLES

R410A Data G3

2-1b. Heating capacity in combination with PUHY,PURY-P200,250YGM

PFFY-P-VKM-E

SHC : Sensible Heat Capacity(kW)

Model size (Rated kW)	Outdoor air temp.		Indoor air temp.			
			59 °FDB	68 °FDB	77 °FDB	81 °FDB
			15.0°CDB	20.0°CDB	25.0°CDB	27.0°CDB
	°FWB	°CWB	SHC	SHC	SHC	SHC
20 (2.5)	-4	-20.0	1.3	1.3	1.3	1.3
	5	-15.0	1.6	1.5	1.5	1.5
	14	-10.0	1.8	1.8	1.8	1.7
	23	-5.0	2.1	2.1	2.0	1.8
	32	0.0	2.4	2.4	2.0	1.8
	37	2.5	2.5	2.5	2.0	1.8
	43	6.0	2.6	2.5	2.0	1.8
	46	7.5	2.7	2.5	2.0	1.8
	50	10.0	2.9	2.5	2.0	1.8
	55	12.5	3.0	2.5	2.0	1.8
	60	15.5	3.2	2.5	2.0	1.8
25 (3.2)	-4	-20.0	1.6	1.6	1.6	1.6
	5	-15.0	2.0	2.0	1.9	1.9
	14	-10.0	2.3	2.3	2.2	2.2
	23	-5.0	2.7	2.7	2.6	2.2
	32	0.0	3.0	3.0	2.6	2.2
	37	2.5	3.2	3.2	2.6	2.2
	43	6.0	3.3	3.2	2.6	2.2
	46	7.5	3.4	3.2	2.6	2.2
	50	10.0	3.6	3.2	2.6	2.2
	55	12.5	3.9	3.2	2.6	2.2
	60	15.5	4.1	3.2	2.6	2.2
32 (4.0)	-4	-20.0	2.1	2.0	2.0	2.0
	5	-15.0	2.5	2.4	2.4	2.4
	14	-10.0	2.9	2.9	2.8	2.7
	23	-5.0	3.4	3.3	3.2	2.8
	32	0.0	3.8	3.8	3.2	2.8
	37	2.5	4.0	4.0	3.2	2.8
	43	6.0	4.2	4.0	3.2	2.8
	46	7.5	4.3	4.0	3.2	2.8
	50	10.0	4.6	4.0	3.2	2.8
	55	12.5	4.8	4.0	3.2	2.8
	60	15.5	5.1	4.0	3.2	2.8
40 (5.0)	-4	-20.0	2.6	2.5	2.5	2.5
	5	-15.0	3.1	3.1	3.0	3.0
	14	-10.0	3.7	3.6	3.5	3.4
	23	-5.0	4.2	4.2	4.0	3.5
	32	0.0	4.7	4.7	4.0	3.5
	37	2.5	5.0	5.0	4.0	3.5
	43	6.0	5.2	5.0	4.0	3.5
	46	7.5	5.4	5.0	4.0	3.5
	50	10.0	5.7	5.0	4.0	3.5
	55	12.5	6.0	5.0	4.0	3.5
	60	15.5	6.4	5.0	4.0	3.5

kcal/h = kW x 860, Btu/h = kW x 3,412

2. CAPACITY TABLES

2-1b. Heating capacity in combination with PUHY,PURY-P200,250YGM

PFFY-P-VLEM-E,VLRM-E

SHC : Sensible Heat Capacity(kW)

Model size (Rated kW)	Outdoor air temp.		Indoor air temp.			
			59 °FDB 15.0°CDB	68 °FDB 20.0°CDB	77 °FDB 25.0°CDB	81 °FDB 27.0°CDB
	°FWB	°CWB	SHC	SHC	SHC	SHC
20 (2.5)	-4	-20.0	1.3	1.3	1.3	1.3
	5	-15.0	1.6	1.5	1.5	1.5
	14	-10.0	1.8	1.8	1.8	1.7
	23	-5.0	2.1	2.1	2.0	1.8
	32	0.0	2.4	2.4	2.0	1.8
	37	2.5	2.5	2.5	2.0	1.8
	43	6.0	2.6	2.5	2.0	1.8
	46	7.5	2.7	2.5	2.0	1.8
	50	10.0	2.9	2.5	2.0	1.8
	55	12.5	3.0	2.5	2.0	1.8
	60	15.5	3.2	2.5	2.0	1.8
25 (3.2)	-4	-20.0	1.6	1.6	1.6	1.6
	5	-15.0	2.0	2.0	1.9	1.9
	14	-10.0	2.3	2.3	2.2	2.2
	23	-5.0	2.7	2.7	2.6	2.2
	32	0.0	3.0	3.0	2.6	2.2
	37	2.5	3.2	3.2	2.6	2.2
	43	6.0	3.3	3.2	2.6	2.2
	46	7.5	3.4	3.2	2.6	2.2
	50	10.0	3.6	3.2	2.6	2.2
	55	12.5	3.9	3.2	2.6	2.2
	60	15.5	4.1	3.2	2.6	2.2
32 (4.0)	-4	-20.0	2.1	2.0	2.0	2.0
	5	-15.0	2.5	2.4	2.4	2.4
	14	-10.0	2.9	2.9	2.8	2.7
	23	-5.0	3.4	3.3	3.2	2.8
	32	0.0	3.8	3.8	3.2	2.8
	37	2.5	4.0	4.0	3.2	2.8
	43	6.0	4.2	4.0	3.2	2.8
	46	7.5	4.3	4.0	3.2	2.8
	50	10.0	4.6	4.0	3.2	2.8
	55	12.5	4.8	4.0	3.2	2.8
	60	15.5	5.1	4.0	3.2	2.8
40 (5.0)	-4	-20.0	2.6	2.5	2.5	2.5
	5	-15.0	3.1	3.1	3.0	3.0
	14	-10.0	3.7	3.6	3.5	3.4
	23	-5.0	4.2	4.2	4.0	3.5
	32	0.0	4.7	4.7	4.0	3.5
	37	2.5	5.0	5.0	4.0	3.5
	43	6.0	5.2	5.0	4.0	3.5
	46	7.5	5.4	5.0	4.0	3.5
	50	10.0	5.7	5.0	4.0	3.5
	55	12.5	6.0	5.0	4.0	3.5
	60	15.5	6.4	5.0	4.0	3.5
50 (6.3)	-4	-20.0	3.2	3.2	3.2	3.2
	5	-15.0	3.9	3.8	3.8	3.7
	14	-10.0	4.6	4.5	4.4	4.3
	23	-5.0	5.3	5.2	5.0	4.4
	32	0.0	6.0	5.9	5.0	4.4
	37	2.5	6.3	6.2	5.0	4.4
	43	6.0	6.6	6.3	5.0	4.4
	46	7.5	6.8	6.3	5.0	4.4
	50	10.0	7.2	6.3	5.0	4.4
	55	12.5	7.6	6.3	5.0	4.4
	60	15.5	8.1	6.3	5.0	4.4
63 (8.0)	-4	-20.0	4.1	4.0	4.0	4.0
	5	-15.0	5.0	4.9	4.8	4.7
	14	-10.0	5.8	5.8	5.6	5.5
	23	-5.0	6.7	6.6	6.4	5.6
	32	0.0	7.6	7.5	6.4	5.6
	37	2.5	8.0	7.9	6.4	5.6
	43	6.0	8.3	8.0	6.4	5.6
	46	7.5	8.6	8.0	6.4	5.6
	50	10.0	9.1	8.0	6.4	5.6
	55	12.5	9.6	8.0	6.4	5.6
	60	15.5	10.2	8.0	6.4	5.6

2. CAPACITY TABLES

R410A Data G3

2-2a. Cooling capacity in combination with PUHY,PUY,PURY-P300,350YGM / PUHY,PURY-P400YGM

PFFY-P-VKM-E

CA : Capacity(kW) SHC : Sensible Heat Capacity(kW)

Model size (Rated kW)	Outdoor air temp.		Indoor air temp.													
			71°FDB / 59°FWB		73°FDB / 61°FWB		77°FDB / 64°FWB		81°FDB / 66°FWB		82°FDB / 68°FWB		86°FDB / 72°FWB		90°FDB / 75°FWB	
			21.5°CDB / 15°CWB		23°CDB / 16°CWB		25°CDB / 18°CWB		27°CDB / 19°CWB		28°CDB / 20°CWB		30°CDB / 22°CWB		32°CDB / 24°CWB	
	°FDB	°CDB	CA	SHC	CA	SHC	CA	SHC	CA	SHC	CA	SHC	CA	SHC	CA	SHC
20 (2.2)	68	20.0	2.1	1.7	2.2	1.8	2.4	1.7	2.5	1.8	2.5	1.9	2.7	1.8	2.9	1.8
	73	22.5	2.1	1.7	2.2	1.7	2.3	1.7	2.4	1.8	2.5	1.8	2.6	1.8	2.8	1.8
	77	25.0	2.1	1.7	2.2	1.7	2.3	1.7	2.4	1.8	2.4	1.8	2.6	1.8	2.8	1.8
	82	27.5	2.1	1.7	2.1	1.7	2.3	1.7	2.3	1.7	2.4	1.8	2.5	1.8	2.7	1.8
	86	30.0	2.0	1.6	2.1	1.7	2.2	1.7	2.3	1.7	2.4	1.8	2.5	1.8	2.6	1.7
	91	32.5	2.0	1.6	2.0	1.7	2.2	1.7	2.2	1.7	2.3	1.8	2.4	1.7	2.6	1.7
	95	35.0	2.0	1.6	2.0	1.7	2.1	1.6	2.2	1.7	2.3	1.7	2.4	1.7	2.5	1.7
	100	37.5	1.9	1.6	1.9	1.6	2.1	1.6	2.1	1.7	2.2	1.7	2.4	1.7	2.5	1.7
	104	40.0	1.9	1.6	1.9	1.6	2.0	1.6	2.1	1.6	2.4	1.8	2.3	1.7	2.4	1.7
110	43.0	1.8	1.6	1.8	1.6	2.0	1.6	2.0	1.6	2.1	1.7	2.2	1.7	2.4	1.6	
25 (2.8)	68	20.0	2.7	2.0	2.8	2.1	3.0	2.1	3.1	2.1	3.2	2.2	3.4	2.2	3.6	2.1
	73	22.5	2.7	2.0	2.8	2.1	3.0	2.1	3.1	2.1	3.2	2.2	3.4	2.1	3.6	2.1
	77	25.0	2.7	2.0	2.7	2.0	2.9	2.0	3.0	2.1	3.1	2.1	3.3	2.1	3.5	2.1
	82	27.5	2.6	2.0	2.7	2.0	2.9	2.0	3.0	2.0	3.1	2.1	3.2	2.1	3.4	2.1
	86	30.0	2.6	1.9	2.6	2.0	2.8	2.0	2.9	2.0	3.0	2.1	3.2	2.1	3.4	2.0
	91	32.5	2.5	1.9	2.6	2.0	2.8	2.0	2.9	2.0	2.9	2.1	3.1	2.0	3.3	2.0
	95	35.0	2.5	1.9	2.5	1.9	2.7	1.9	2.8	2.0	2.9	2.0	3.1	2.0	3.2	2.0
	100	37.5	2.5	1.9	2.5	1.9	2.6	1.9	2.7	1.9	2.8	2.0	3.0	2.0	3.2	2.0
	104	40.0	2.4	1.9	2.4	1.9	2.6	1.9	2.7	1.9	3.0	2.1	2.9	2.0	3.1	1.9
110	43.0	2.4	1.8	2.4	1.9	2.5	1.9	2.6	1.9	2.7	2.0	2.8	1.9	3.0	1.9	
32 (3.6)	68	20.0	3.5	2.5	3.6	2.5	3.9	2.5	4.0	2.6	4.2	2.7	4.4	2.6	4.7	2.6
	73	22.5	3.5	2.5	3.6	2.5	3.8	2.5	4.0	2.5	4.1	2.6	4.3	2.6	4.6	2.5
	77	25.0	3.4	2.4	3.5	2.5	3.8	2.5	3.9	2.5	4.0	2.6	4.2	2.6	4.5	2.5
	82	27.5	3.4	2.4	3.5	2.5	3.7	2.4	3.8	2.5	3.9	2.6	4.2	2.5	4.4	2.5
	86	30.0	3.3	2.4	3.4	2.4	3.6	2.4	3.7	2.4	3.9	2.5	4.1	2.5	4.3	2.4
	91	32.5	3.3	2.3	3.3	2.4	3.5	2.4	3.7	2.4	3.8	2.5	4.0	2.5	4.2	2.4
	95	35.0	3.2	2.3	3.3	2.4	3.5	2.3	3.6	2.4	3.7	2.5	3.9	2.4	4.2	2.4
	100	37.5	3.2	2.3	3.2	2.3	3.4	2.3	3.5	2.3	3.6	2.4	3.9	2.4	4.1	2.4
	104	40.0	3.1	2.3	3.1	2.3	3.3	2.3	3.4	2.3	3.9	2.5	3.8	2.4	4.0	2.3
110	43.0	3.0	2.2	3.0	2.2	3.2	2.2	3.3	2.3	3.4	2.3	3.7	2.3	3.9	2.3	
40 (4.5)	68	20.0	4.4	3.0	4.5	3.1	4.9	3.1	5.0	3.2	5.2	3.3	5.5	3.2	5.9	3.2
	73	22.5	4.3	3.0	4.5	3.1	4.8	3.1	5.0	3.1	5.1	3.2	5.4	3.2	5.7	3.1
	77	25.0	4.3	3.0	4.4	3.1	4.7	3.1	4.9	3.1	5.0	3.2	5.3	3.2	5.6	3.1
	82	27.5	4.2	3.0	4.3	3.0	4.6	3.0	4.8	3.0	4.9	3.2	5.2	3.1	5.5	3.1
	86	30.0	4.1	2.9	4.2	3.0	4.5	3.0	4.7	3.0	4.8	3.1	5.1	3.1	5.4	3.0
	91	32.5	4.1	2.9	4.2	2.9	4.4	2.9	4.6	3.0	4.7	3.1	5.0	3.0	5.3	3.0
	95	35.0	4.0	2.9	4.1	2.9	4.3	2.9	4.5	2.9	4.6	3.0	4.9	3.0	5.2	2.9
	100	37.5	4.0	2.8	4.0	2.9	4.3	2.8	4.4	2.9	4.5	3.0	4.8	2.9	5.1	2.9
	104	40.0	3.9	2.8	3.9	2.8	4.2	2.8	4.3	2.8	4.9	3.1	4.7	2.9	5.0	2.8
110	43.0	3.8	2.7	3.8	2.8	4.1	2.7	4.2	2.8	4.3	2.9	4.6	2.8	4.8	2.8	

kcal/h = kW x 860, Btu/h = kW x 3,412

2. CAPACITY TABLES

R410A Data G3

2-2a. Cooling capacity in combination with PUHY,PUY,PURY-P300,350YGM / PUHY,PURY-P400YGM

PFFY-P-VLEM-E,VLRM-E

CA : Capacity(kW) SHC : Sensible Heat Capacity(kW)

Model size (Rated kW)	Outdoor air temp.		Indoor air temp.													
			71 °FDB / 59°FWB		73°FDB / 61°FWB		77°FDB / 64°FWB		81°FDB / 66°FWB		82°FDB / 68°FWB		86°FDB / 72°FWB		90°FDB / 75°FWB	
	°FDB	°CDB	CA	SHC	CA	SHC	CA	SHC	CA	SHC	CA	SHC	CA	SHC	CA	SHC
20 (2.2)	68	20.0	2.1	1.9	2.2	2.0	2.4	2.0	2.5	2.0	2.5	2.1	2.7	2.1	2.9	2.1
	73	22.5	2.1	1.9	2.2	2.0	2.3	2.0	2.4	2.0	2.5	2.1	2.6	2.1	2.8	2.0
	77	25.0	2.1	1.9	2.2	1.9	2.3	1.9	2.4	2.0	2.4	2.1	2.6	2.0	2.8	2.0
	82	27.5	2.1	1.9	2.1	1.9	2.3	1.9	2.3	2.0	2.4	2.1	2.5	2.0	2.7	2.0
	86	30.0	2.0	1.8	2.1	1.9	2.2	1.9	2.3	2.0	2.4	2.0	2.5	2.0	2.6	2.0
	91	32.5	2.0	1.8	2.0	1.9	2.2	1.9	2.2	1.9	2.3	2.0	2.4	2.0	2.6	2.0
	95	35.0	2.0	1.8	2.0	1.9	2.1	1.9	2.2	1.9	2.3	2.0	2.4	2.0	2.5	2.0
	100	37.5	1.9	1.8	1.9	1.9	2.1	1.8	2.1	1.9	2.2	2.0	2.4	2.0	2.5	1.9
	104	40.0	1.9	1.8	1.9	1.8	2.0	1.8	2.1	1.9	2.4	2.0	2.3	1.9	2.4	1.9
110	43.0	1.8	1.8	1.8	1.8	2.0	1.8	2.0	1.9	2.1	1.9	2.2	1.9	2.4	1.9	
25 (2.8)	68	20.0	2.7	2.2	2.8	2.2	3.0	2.2	3.1	2.3	3.2	2.4	3.4	2.3	3.6	2.3
	73	22.5	2.7	2.2	2.8	2.2	3.0	2.2	3.1	2.3	3.2	2.4	3.4	2.3	3.6	2.3
	77	25.0	2.7	2.1	2.7	2.2	2.9	2.2	3.0	2.2	3.1	2.3	3.3	2.3	3.5	2.3
	82	27.5	2.6	2.1	2.7	2.2	2.9	2.2	3.0	2.2	3.1	2.3	3.2	2.3	3.4	2.2
	86	30.0	2.6	2.1	2.6	2.2	2.8	2.1	2.9	2.2	3.0	2.3	3.2	2.3	3.4	2.2
	91	32.5	2.5	2.1	2.6	2.1	2.8	2.1	2.9	2.2	2.9	2.3	3.1	2.2	3.3	2.2
	95	35.0	2.5	2.1	2.5	2.1	2.7	2.1	2.8	2.2	2.9	2.2	3.1	2.2	3.2	2.2
	100	37.5	2.5	2.0	2.5	2.1	2.6	2.1	2.7	2.1	2.8	2.2	3.0	2.2	3.2	2.2
	104	40.0	2.4	2.0	2.4	2.1	2.6	2.1	2.7	2.1	3.0	2.3	2.9	2.2	3.1	2.1
110	43.0	2.4	2.0	2.4	2.0	2.5	2.0	2.6	2.1	2.7	2.2	2.8	2.1	3.0	2.1	
32 (3.6)	68	20.0	3.5	2.5	3.6	2.6	3.9	2.6	4.0	2.6	4.2	2.7	4.4	2.7	4.7	2.7
	73	22.5	3.5	2.5	3.6	2.6	3.8	2.6	4.0	2.6	4.1	2.7	4.3	2.7	4.6	2.6
	77	25.0	3.4	2.5	3.5	2.5	3.8	2.5	3.9	2.6	4.0	2.7	4.2	2.6	4.5	2.6
	82	27.5	3.4	2.5	3.5	2.5	3.7	2.5	3.8	2.5	3.9	2.6	4.2	2.6	4.4	2.5
	86	30.0	3.3	2.4	3.4	2.5	3.6	2.5	3.7	2.5	3.9	2.6	4.1	2.6	4.3	2.5
	91	32.5	3.3	2.4	3.3	2.5	3.5	2.4	3.7	2.5	3.8	2.6	4.0	2.5	4.2	2.5
	95	35.0	3.2	2.4	3.3	2.4	3.5	2.4	3.6	2.4	3.7	2.5	3.9	2.5	4.2	2.5
	100	37.5	3.2	2.4	3.2	2.4	3.4	2.4	3.5	2.4	3.6	2.5	3.9	2.5	4.1	2.4
	104	40.0	3.1	2.3	3.1	2.3	3.3	2.3	3.4	2.4	3.9	2.6	3.8	2.4	4.0	2.4
110	43.0	3.0	2.3	3.0	2.3	3.2	2.3	3.3	2.3	3.4	2.4	3.7	2.4	3.9	2.4	
40 (4.5)	68	20.0	4.4	3.2	4.5	3.3	4.9	3.3	5.0	3.3	5.2	3.4	5.5	3.4	5.9	3.3
	73	22.5	4.3	3.1	4.5	3.2	4.8	3.2	5.0	3.3	5.1	3.4	5.4	3.3	5.7	3.3
	77	25.0	4.3	3.1	4.4	3.2	4.7	3.2	4.9	3.2	5.0	3.3	5.3	3.3	5.6	3.2
	82	27.5	4.2	3.1	4.3	3.2	4.6	3.1	4.8	3.2	4.9	3.3	5.2	3.3	5.5	3.2
	86	30.0	4.1	3.0	4.2	3.1	4.5	3.1	4.7	3.1	4.8	3.3	5.1	3.2	5.4	3.2
	91	32.5	4.1	3.0	4.2	3.1	4.4	3.1	4.6	3.1	4.7	3.2	5.0	3.2	5.3	3.1
	95	35.0	4.0	3.0	4.1	3.0	4.3	3.0	4.5	3.1	4.6	3.2	4.9	3.1	5.2	3.1
	100	37.5	4.0	3.0	4.0	3.0	4.3	3.0	4.4	3.0	4.5	3.1	4.8	3.1	5.1	3.1
	104	40.0	3.9	2.9	3.9	3.0	4.2	2.9	4.3	3.0	4.9	3.3	4.7	3.1	5.0	3.0
110	43.0	3.8	2.9	3.8	2.9	4.1	2.9	4.2	2.9	4.3	3.0	4.6	3.0	4.8	3.0	
50 (5.6)	68	20.0	5.4	4.0	5.6	4.1	6.0	4.1	6.3	4.2	6.5	4.3	6.9	4.3	7.3	4.2
	73	22.5	5.4	4.0	5.6	4.1	6.0	4.1	6.2	4.1	6.4	4.3	6.7	4.2	7.1	4.2
	77	25.0	5.3	3.9	5.5	4.0	5.9	4.0	6.0	4.1	6.2	4.2	6.6	4.2	7.0	4.1
	82	27.5	5.2	3.9	5.4	4.0	5.7	4.0	5.9	4.0	6.1	4.2	6.5	4.1	6.9	4.1
	86	30.0	5.2	3.8	5.3	3.9	5.6	3.9	5.8	4.0	6.0	4.1	6.4	4.1	6.7	4.0
	91	32.5	5.1	3.8	5.2	3.9	5.5	3.9	5.7	3.9	5.9	4.1	6.2	4.0	6.6	4.0
	95	35.0	5.0	3.8	5.1	3.8	5.4	3.8	5.6	3.9	5.8	4.0	6.1	4.0	6.5	3.9
	100	37.5	4.9	3.7	5.0	3.8	5.3	3.8	5.5	3.8	5.7	4.0	6.0	3.9	6.3	3.9
	104	40.0	4.8	3.7	4.8	3.7	5.2	3.7	5.3	3.8	6.1	4.2	5.9	3.9	6.2	3.8
110	43.0	4.7	3.6	4.7	3.7	5.0	3.7	5.2	3.7	5.3	3.9	5.7	3.8	6.0	3.8	
63 (7.1)	68	20.0	6.9	4.9	7.1	5.1	7.7	5.1	8.0	5.2	8.2	5.4	8.7	5.3	9.2	5.2
	73	22.5	6.9	4.9	7.1	5.1	7.6	5.0	7.8	5.1	8.1	5.3	8.5	5.2	9.1	5.1
	77	25.0	6.8	4.9	7.0	5.0	7.4	5.0	7.7	5.0	7.9	5.2	8.4	5.1	8.9	5.1
	82	27.5	6.6	4.8	6.8	4.9	7.3	4.9	7.5	5.0	7.8	5.2	8.2	5.1	8.7	5.0
	86	30.0	6.5	4.8	6.7	4.9	7.1	4.8	7.4	4.9	7.6	5.1	8.1	5.0	8.5	4.9
	91	32.5	6.4	4.7	6.6	4.8	7.0	4.8	7.2	4.9	7.5	5.0	7.9	4.9	8.4	4.9
	95	35.0	6.3	4.7	6.4	4.7	6.8	4.7	7.1	4.8	7.3	5.0	7.7	4.9	8.2	4.8
	100	37.5	6.2	4.6	6.3	4.7	6.7	4.6	6.9	4.7	7.2	4.9	7.6	4.8	8.0	4.8
	104	40.0	6.1	4.6	6.1	4.6	6.6	4.6	6.8	4.7	7.7	5.1	7.4	4.8	7.8	4.7
110	43.0	6.0	4.5	6.0	4.5	6.4	4.5	6.6	4.6	6.8	4.7	7.2	4.7	7.6	4.6	

kcal/h = kW x 860, Btu/h = kW x 3,412

2. CAPACITY TABLES

R410A Data G3

2-2b. Heating capacity in combination with PUHY,PURY-P300,350,400YGM

PFFY-P-VKM-E

SHC : Sensible Heat Capacity(kW)

Model size (Rated kW)	Outdoor air temp.		Indoor air temp.			
			59 °FDB 15.0°CDB	68 °FDB 20.0°CDB	77 °FDB 25.0°CDB	81 °FDB 27.0°CDB
	°FWB	°CWB	SHC	SHC	SHC	SHC
20 (2.5)	-4	-20.0	1.3	1.3	1.3	1.2
	5	-15.0	1.5	1.5	1.5	1.5
	14	-10.0	1.8	1.8	1.7	1.6
	23	-5.0	2.0	2.0	1.9	1.6
	32	0.0	2.3	2.3	1.9	1.6
	37	2.5	2.4	2.4	1.9	1.6
	43	6.0	2.6	2.5	1.9	1.6
	46	7.5	2.7	2.5	1.9	1.6
	50	10.0	2.8	2.5	1.9	1.6
	55	12.5	2.9	2.5	1.9	1.6
60	15.5	2.9	2.5	1.9	1.6	
25 (3.2)	-4	-20.0	1.7	1.6	1.6	1.5
	5	-15.0	1.9	1.9	1.9	1.9
	14	-10.0	2.2	2.2	2.2	2.0
	23	-5.0	2.6	2.6	2.4	2.0
	32	0.0	2.9	2.9	2.4	2.0
	37	2.5	3.1	3.0	2.4	2.0
	43	6.0	3.3	3.2	2.4	2.0
	46	7.5	3.4	3.2	2.4	2.0
	50	10.0	3.5	3.2	2.4	2.0
	55	12.5	3.7	3.2	2.4	2.0
60	15.5	3.7	3.2	2.4	2.0	
32 (4.0)	-4	-20.0	2.1	2.0	2.0	1.9
	5	-15.0	2.4	2.4	2.4	2.3
	14	-10.0	2.8	2.8	2.7	2.6
	23	-5.0	3.2	3.2	3.0	2.6
	32	0.0	3.6	3.6	3.0	2.6
	37	2.5	3.8	3.8	3.0	2.6
	43	6.0	4.1	4.0	3.0	2.6
	46	7.5	4.2	4.0	3.0	2.6
	50	10.0	4.4	4.0	3.0	2.6
	55	12.5	4.6	4.0	3.0	2.6
60	15.5	4.6	4.0	3.0	2.6	
40 (5.0)	-4	-20.0	2.6	2.5	2.5	2.4
	5	-15.0	3.0	3.0	3.0	2.9
	14	-10.0	3.5	3.5	3.4	3.2
	23	-5.0	4.0	4.0	3.8	3.2
	32	0.0	4.5	4.5	3.8	3.2
	37	2.5	4.8	4.7	3.8	3.2
	43	6.0	5.1	5.0	3.8	3.2
	46	7.5	5.3	5.0	3.8	3.2
	50	10.0	5.5	5.0	3.8	3.2
	55	12.5	5.8	5.0	3.8	3.2
60	15.5	5.8	5.0	3.8	3.2	

kcal/h = kW x 860, Btu/h = kW x 3,412

2. CAPACITY TABLES

2-2b. Heating capacity in combination with PUHY,PURY-P300,350,400YGM

PFFY-P-VLEM-E,VLRM-E

SHC : Sensible Heat Capacity(kW)

Model size (Rated kW)	Outdoor air temp.		Indoor air temp.			
			59 °FDB 15.0°CDB	68 °FDB 20.0°CDB	77 °FDB 25.0°CDB	81 °FDB 27.0°CDB
	°FWB	°CWB	SHC	SHC	SHC	SHC
20 (2.5)	-4	-20.0	1.3	1.3	1.3	1.2
	5	-15.0	1.5	1.5	1.5	1.5
	14	-10.0	1.8	1.8	1.7	1.6
	23	-5.0	2.0	2.0	1.9	1.6
	32	0.0	2.3	2.3	1.9	1.6
	37	2.5	2.4	2.4	1.9	1.6
	43	6.0	2.6	2.5	1.9	1.6
	46	7.5	2.7	2.5	1.9	1.6
	50	10.0	2.8	2.5	1.9	1.6
	55	12.5	2.9	2.5	1.9	1.6
	60	15.5	2.9	2.5	1.9	1.6
25 (3.2)	-4	-20.0	1.7	1.6	1.6	1.5
	5	-15.0	1.9	1.9	1.9	1.9
	14	-10.0	2.2	2.2	2.2	2.0
	23	-5.0	2.6	2.6	2.4	2.0
	32	0.0	2.9	2.9	2.4	2.0
	37	2.5	3.1	3.0	2.4	2.0
	43	6.0	3.3	3.2	2.4	2.0
	46	7.5	3.4	3.2	2.4	2.0
	50	10.0	3.5	3.2	2.4	2.0
	55	12.5	3.7	3.2	2.4	2.0
	60	15.5	3.7	3.2	2.4	2.0
32 (4.0)	-4	-20.0	2.1	2.0	2.0	1.9
	5	-15.0	2.4	2.4	2.4	2.3
	14	-10.0	2.8	2.8	2.7	2.6
	23	-5.0	3.2	3.2	3.0	2.6
	32	0.0	3.6	3.6	3.0	2.6
	37	2.5	3.8	3.8	3.0	2.6
	43	6.0	4.1	4.0	3.0	2.6
	46	7.5	4.2	4.0	3.0	2.6
	50	10.0	4.4	4.0	3.0	2.6
	55	12.5	4.6	4.0	3.0	2.6
	60	15.5	4.6	4.0	3.0	2.6
40 (5.0)	-4	-20.0	2.6	2.5	2.5	2.4
	5	-15.0	3.0	3.0	3.0	2.9
	14	-10.0	3.5	3.5	3.4	3.2
	23	-5.0	4.0	4.0	3.8	3.2
	32	0.0	4.5	4.5	3.8	3.2
	37	2.5	4.8	4.7	3.8	3.2
	43	6.0	5.1	5.0	3.8	3.2
	46	7.5	5.3	5.0	3.8	3.2
	50	10.0	5.5	5.0	3.8	3.2
	55	12.5	5.8	5.0	3.8	3.2
	60	15.5	5.8	5.0	3.8	3.2
50 (6.3)	-4	-20.0	3.3	3.2	3.2	3.0
	5	-15.0	3.8	3.8	3.8	3.7
	14	-10.0	4.4	4.4	4.3	4.0
	23	-5.0	5.0	5.0	4.7	4.0
	32	0.0	5.7	5.7	4.7	4.0
	37	2.5	6.0	6.0	4.7	4.0
	43	6.0	6.5	6.3	4.7	4.0
	46	7.5	6.7	6.3	4.7	4.0
	50	10.0	7.0	6.3	4.7	4.0
	55	12.5	7.2	6.3	4.7	4.0
	60	15.5	7.2	6.3	4.7	4.0
63 (8.0)	-4	-20.0	4.2	4.0	4.0	3.8
	5	-15.0	4.8	4.8	4.8	4.6
	14	-10.0	5.6	5.6	5.5	5.1
	23	-5.0	6.4	6.4	6.0	5.1
	32	0.0	7.2	7.2	6.0	5.1
	37	2.5	7.6	7.6	6.0	5.1
	43	6.0	8.2	8.0	6.0	5.1
	46	7.5	8.5	8.0	6.0	5.1
	50	10.0	8.8	8.0	6.0	5.1
	55	12.5	9.2	8.0	6.0	5.1
	60	15.5	9.2	8.0	6.0	5.1

2. CAPACITY TABLES

R410A Data G3

2-3a. Cooling capacity in combination with PUHY,PURY-P450,500,550,600,650YGM

PFFY-P-VKM-E

CA : Capacity(kW) SHC : Sensible Heat Capacity(kW)

Model size (Rated kW)	Outdoor air temp.		Indoor air temp.													
			71°FDB / 59°FWB		73°FDB / 61°FWB		77°FDB / 64°FWB		81°FDB / 66°FWB		82°FDB / 68°FWB		86°FDB / 72°FWB		90°FDB / 75°FWB	
			21.5°CDB / 15°CWB		23°CDB / 16°CWB		25°CDB / 18°CWB		27°CDB / 19°CWB		28°CDB / 20°CWB		30°CDB / 22°CWB		32°CDB / 24°CWB	
	°FDB	°CDB	CA	SHC	CA	SHC	CA	SHC	CA	SHC	CA	SHC	CA	SHC	CA	SHC
20 (2.2)	68	20.0	2.1	1.7	2.1	1.7	2.3	1.7	2.4	1.7	2.5	1.8	2.6	1.8	2.8	1.8
	73	22.5	2.1	1.7	2.1	1.7	2.3	1.7	2.3	1.7	2.4	1.8	2.6	1.8	2.7	1.8
	77	25.0	2.0	1.7	2.1	1.7	2.2	1.7	2.3	1.7	2.4	1.8	2.6	1.8	2.7	1.8
	82	27.5	2.0	1.6	2.1	1.7	2.2	1.7	2.3	1.7	2.4	1.8	2.5	1.8	2.6	1.7
	86	30.0	2.0	1.6	2.0	1.7	2.2	1.7	2.3	1.7	2.4	1.8	2.5	1.8	2.7	1.7
	91	32.5	2.0	1.6	2.0	1.7	2.2	1.7	2.2	1.7	2.3	1.8	2.5	1.8	2.6	1.7
	95	35.0	2.0	1.6	2.0	1.7	2.1	1.7	2.2	1.7	2.3	1.8	2.5	1.8	2.6	1.7
	100	37.5	1.9	1.6	2.0	1.6	2.1	1.6	2.2	1.7	2.3	1.8	2.4	1.7	2.6	1.7
	104	40.0	1.9	1.6	1.9	1.6	2.1	1.6	2.1	1.7	2.2	1.7	2.4	1.7	2.6	1.7
110	43.0	1.9	1.6	1.9	1.6	2.1	1.6	2.1	1.6	2.2	1.7	2.4	1.7	2.6	1.7	
25 (2.8)	68	20.0	2.6	2.0	2.7	2.0	2.9	2.0	3.0	2.1	3.1	2.1	3.3	2.1	3.5	2.1
	73	22.5	2.6	2.0	2.7	2.0	2.9	2.0	3.0	2.0	3.1	2.1	3.3	2.1	3.5	2.1
	77	25.0	2.6	2.0	2.7	2.0	2.9	2.0	2.9	2.0	3.1	2.1	3.2	2.1	3.5	2.1
	82	27.5	2.6	1.9	2.6	2.0	2.8	2.0	2.9	2.0	3.0	2.1	3.2	2.1	3.4	2.0
	86	30.0	2.5	1.9	2.6	2.0	2.8	2.0	2.9	2.0	3.0	2.1	3.2	2.1	3.4	2.0
	91	32.5	2.5	1.9	2.6	2.0	2.7	2.0	2.8	2.0	3.0	2.1	3.2	2.1	3.4	2.0
	95	35.0	2.5	1.9	2.5	1.9	2.7	1.9	2.8	2.0	2.9	2.1	3.1	2.1	3.3	2.0
	100	37.5	2.5	1.9	2.5	1.9	2.7	1.9	2.8	2.0	2.9	2.1	3.1	2.0	3.3	2.0
	104	40.0	2.4	1.9	2.5	1.9	2.7	1.9	2.7	1.9	2.9	2.0	3.1	2.0	3.3	2.0
110	43.0	2.4	1.9	2.5	1.9	2.6	1.9	2.7	1.9	2.8	2.0	3.0	2.0	3.2	2.0	
32 (3.6)	68	20.0	3.4	2.4	3.5	2.5	3.7	2.5	3.9	2.5	4.0	2.6	4.2	2.6	4.5	2.5
	73	22.5	3.4	2.4	3.5	2.5	3.7	2.4	3.8	2.5	4.0	2.6	4.2	2.5	4.5	2.5
	77	25.0	3.3	2.4	3.4	2.4	3.7	2.4	3.8	2.5	3.9	2.6	4.2	2.5	4.4	2.5
	82	27.5	3.3	2.4	3.4	2.4	3.6	2.4	3.7	2.4	3.9	2.5	4.1	2.5	4.3	2.4
	86	30.0	3.3	2.3	3.3	2.4	3.6	2.4	3.7	2.4	3.9	2.5	4.1	2.5	4.4	2.5
	91	32.5	3.2	2.3	3.3	2.4	3.5	2.4	3.6	2.4	3.8	2.5	4.1	2.5	4.3	2.4
	95	35.0	3.2	2.3	3.3	2.4	3.5	2.4	3.6	2.4	3.7	2.5	4.0	2.5	4.3	2.4
	100	37.5	3.2	2.3	3.2	2.3	3.5	2.3	3.5	2.3	3.7	2.5	4.0	2.4	4.2	2.4
	104	40.0	3.1	2.3	3.2	2.3	3.4	2.3	3.5	2.3	3.7	2.4	4.0	2.4	4.2	2.4
110	43.0	3.1	2.3	3.2	2.3	3.4	2.3	3.5	2.3	3.6	2.4	3.9	2.4	4.2	2.4	
40 (4.5)	68	20.0	4.3	3.0	4.4	3.1	4.7	3.0	4.8	3.1	5.0	3.2	5.3	3.2	5.7	3.1
	73	22.5	4.2	3.0	4.3	3.0	4.6	3.0	4.8	3.0	5.0	3.2	5.3	3.1	5.6	3.1
	77	25.0	4.2	2.9	4.3	3.0	4.6	3.0	4.7	3.0	4.9	3.1	5.2	3.1	5.6	3.1
	82	27.5	4.1	2.9	4.2	3.0	4.5	3.0	4.7	3.0	4.9	3.1	5.2	3.1	5.4	3.0
	86	30.0	4.1	2.9	4.2	3.0	4.5	3.0	4.6	3.0	4.8	3.1	5.1	3.1	5.4	3.0
	91	32.5	4.1	2.9	4.1	2.9	4.4	2.9	4.5	2.9	4.8	3.1	5.1	3.1	5.4	3.0
	95	35.0	4.0	2.9	4.1	2.9	4.4	2.9	4.5	2.9	4.7	3.0	5.0	3.0	5.4	3.0
	100	37.5	4.0	2.8	4.0	2.9	4.3	2.9	4.4	2.9	4.7	3.0	5.0	3.0	5.3	3.0
	104	40.0	3.9	2.8	4.0	2.9	4.3	2.9	4.4	2.9	4.6	3.0	5.0	3.0	5.3	3.0
110	43.0	3.9	2.8	3.9	2.8	4.2	2.8	4.3	2.8	4.5	3.0	4.9	3.0	5.2	2.9	

kcal/h = kW x 860, Btu/h = kW x 3,412

2. CAPACITY TABLES

R410A Data G3

2-3a. Cooling capacity in combination with PUHY,PURY-P450,500,550,600,650YGM

PFFY-P-VLEM-E,VLRM-E

CA : Capacity(kW) SHC : Sensible Heat Capacity(kW)

Model size (Rated kW)	Outdoor air temp.		Indoor air temp.													
			71°FDB / 59°FWB		73°FDB / 61°FWB		77°FDB / 64°FWB		81°FDB / 66°FWB		82°FDB / 68°FWB		86°FDB / 72°FWB		90°FDB / 75°FWB	
	°FDB	°CDB	CA	SHC	CA	SHC	CA	SHC	CA	SHC	CA	SHC	CA	SHC	CA	SHC
20 (2.2)	68	20.0	2.1	1.9	2.1	1.9	2.3	1.9	2.4	2.0	2.5	2.1	2.6	2.0	2.8	2.0
	73	22.5	2.1	1.9	2.1	1.9	2.3	1.9	2.3	2.0	2.4	2.1	2.6	2.0	2.7	2.0
	77	25.0	2.0	1.9	2.1	1.9	2.2	1.9	2.3	2.0	2.4	2.1	2.6	2.0	2.7	2.0
	82	27.5	2.0	1.8	2.1	1.9	2.2	1.9	2.3	2.0	2.4	2.0	2.5	2.0	2.6	2.0
	86	30.0	2.0	1.8	2.0	1.9	2.2	1.9	2.3	1.9	2.4	2.0	2.5	2.0	2.7	2.0
	91	32.5	2.0	1.8	2.0	1.9	2.2	1.9	2.2	1.9	2.3	2.0	2.5	2.0	2.6	2.0
	95	35.0	2.0	1.8	2.0	1.9	2.1	1.9	2.2	1.9	2.3	2.0	2.5	2.0	2.6	2.0
	100	37.5	1.9	1.8	2.0	1.9	2.1	1.9	2.2	1.9	2.3	2.0	2.4	2.0	2.6	2.0
	104	40.0	1.9	1.8	1.9	1.9	2.1	1.9	2.1	1.9	2.2	2.0	2.4	2.0	2.6	2.0
110	43.0	1.9	1.8	1.9	1.8	2.1	1.8	2.1	1.9	2.2	2.0	2.4	2.0	2.6	2.0	
25 (2.8)	68	20.0	2.6	2.1	2.7	2.2	2.9	2.2	3.0	2.2	3.1	2.3	3.3	2.3	3.5	2.3
	73	22.5	2.6	2.1	2.7	2.2	2.9	2.2	3.0	2.2	3.1	2.3	3.3	2.3	3.5	2.3
	77	25.0	2.6	2.1	2.7	2.2	2.9	2.2	2.9	2.2	3.1	2.3	3.2	2.3	3.5	2.3
	82	27.5	2.6	2.1	2.6	2.2	2.8	2.2	2.9	2.2	3.0	2.3	3.2	2.3	3.4	2.2
	86	30.0	2.5	2.1	2.6	2.1	2.8	2.1	2.9	2.2	3.0	2.3	3.2	2.3	3.4	2.2
	91	32.5	2.5	2.1	2.6	2.1	2.7	2.1	2.8	2.2	3.0	2.3	3.2	2.2	3.4	2.2
	95	35.0	2.5	2.1	2.5	2.1	2.7	2.1	2.8	2.2	2.9	2.3	3.1	2.2	3.3	2.2
	100	37.5	2.5	2.0	2.5	2.1	2.7	2.1	2.8	2.1	2.9	2.2	3.1	2.2	3.3	2.2
	104	40.0	2.4	2.0	2.5	2.1	2.7	2.1	2.7	2.1	2.9	2.2	3.1	2.2	3.3	2.2
110	43.0	2.4	2.0	2.5	2.1	2.6	2.1	2.7	2.1	2.8	2.2	3.0	2.2	3.2	2.2	
32 (3.6)	68	20.0	3.4	2.5	3.5	2.5	3.7	2.5	3.9	2.6	4.0	2.7	4.2	2.6	4.5	2.6
	73	22.5	3.4	2.5	3.5	2.5	3.7	2.5	3.8	2.5	4.0	2.6	4.2	2.6	4.5	2.6
	77	25.0	3.3	2.4	3.4	2.5	3.7	2.5	3.8	2.5	3.9	2.6	4.2	2.6	4.4	2.6
	82	27.5	3.3	2.4	3.4	2.5	3.6	2.5	3.7	2.5	3.9	2.6	4.1	2.6	4.3	2.5
	86	30.0	3.3	2.4	3.3	2.5	3.6	2.5	3.7	2.5	3.9	2.6	4.1	2.6	4.4	2.5
	91	32.5	3.2	2.4	3.3	2.4	3.5	2.4	3.6	2.5	3.8	2.6	4.1	2.6	4.3	2.5
	95	35.0	3.2	2.4	3.3	2.4	3.5	2.4	3.6	2.4	3.7	2.5	4.0	2.5	4.3	2.5
	100	37.5	3.2	2.4	3.2	2.4	3.5	2.4	3.5	2.4	3.7	2.5	4.0	2.5	4.2	2.5
	104	40.0	3.1	2.3	3.2	2.4	3.4	2.4	3.5	2.4	3.7	2.5	4.0	2.5	4.2	2.5
110	43.0	3.1	2.3	3.2	2.4	3.4	2.4	3.5	2.4	3.6	2.5	3.9	2.5	4.2	2.5	
40 (4.5)	68	20.0	4.3	3.1	4.4	3.2	4.7	3.2	4.8	3.2	5.0	3.3	5.3	3.3	5.7	3.3
	73	22.5	4.2	3.1	4.3	3.2	4.6	3.1	4.8	3.2	5.0	3.3	5.3	3.3	5.6	3.2
	77	25.0	4.2	3.1	4.3	3.1	4.6	3.1	4.7	3.2	4.9	3.3	5.2	3.3	5.6	3.2
	82	27.5	4.1	3.0	4.2	3.1	4.5	3.1	4.7	3.1	4.9	3.3	5.2	3.2	5.4	3.2
	86	30.0	4.1	3.0	4.2	3.1	4.5	3.1	4.6	3.1	4.8	3.3	5.1	3.2	5.4	3.2
	91	32.5	4.1	3.0	4.1	3.1	4.4	3.0	4.5	3.1	4.8	3.2	5.1	3.2	5.4	3.2
	95	35.0	4.0	3.0	4.1	3.0	4.4	3.0	4.5	3.1	4.7	3.2	5.0	3.2	5.4	3.1
	100	37.5	4.0	3.0	4.0	3.0	4.3	3.0	4.4	3.0	4.7	3.2	5.0	3.2	5.3	3.1
	104	40.0	3.9	2.9	4.0	3.0	4.3	3.0	4.4	3.0	4.6	3.2	5.0	3.2	5.3	3.1
110	43.0	3.9	2.9	3.9	3.0	4.2	3.0	4.3	3.0	4.5	3.1	4.9	3.1	5.2	3.1	
50 (5.6)	68	20.0	5.3	3.9	5.5	4.0	5.8	4.0	6.0	4.1	6.2	4.2	6.6	4.2	7.1	4.1
	73	22.5	5.3	3.9	5.4	4.0	5.8	4.0	5.9	4.0	6.2	4.2	6.6	4.2	7.0	4.1
	77	25.0	5.2	3.9	5.3	4.0	5.7	4.0	5.9	4.0	6.1	4.2	6.5	4.1	6.9	4.1
	82	27.5	5.2	3.8	5.3	3.9	5.7	3.9	5.8	4.0	6.0	4.2	6.4	4.1	6.7	4.0
	86	30.0	5.1	3.8	5.2	3.9	5.6	3.9	5.8	4.0	6.0	4.1	6.4	4.1	6.8	4.0
	91	32.5	5.0	3.8	5.2	3.9	5.5	3.9	5.7	3.9	5.9	4.1	6.3	4.1	6.7	4.0
	95	35.0	5.0	3.8	5.1	3.8	5.5	3.8	5.6	3.9	5.8	4.1	6.3	4.0	6.7	4.0
	100	37.5	4.9	3.7	5.0	3.8	5.4	3.8	5.5	3.9	5.8	4.0	6.2	4.0	6.6	4.0
	104	40.0	4.8	3.7	5.0	3.8	5.3	3.8	5.4	3.8	5.7	4.0	6.2	4.0	6.6	3.9
110	43.0	4.8	3.7	4.9	3.8	5.3	3.8	5.4	3.8	5.7	4.0	6.0	4.0	6.5	3.9	
63 (7.1)	68	20.0	6.7	4.9	6.9	5.0	7.4	5.0	7.6	5.0	7.9	5.2	8.4	5.1	8.9	5.1
	73	22.5	6.7	4.8	6.9	4.9	7.3	4.9	7.5	5.0	7.8	5.2	8.3	5.1	8.8	5.1
	77	25.0	6.6	4.8	6.8	4.9	7.2	4.9	7.5	4.9	7.7	5.1	8.2	5.1	8.8	5.0
	82	27.5	6.5	4.8	6.7	4.9	7.2	4.9	7.4	4.9	7.7	5.1	8.2	5.1	8.5	4.9
	86	30.0	6.5	4.7	6.6	4.8	7.1	4.8	7.3	4.9	7.6	5.1	8.1	5.0	8.6	5.0
	91	32.5	6.4	4.7	6.5	4.8	7.0	4.8	7.2	4.8	7.5	5.1	8.0	5.0	8.5	4.9
	95	35.0	6.3	4.7	6.4	4.7	6.9	4.7	7.1	4.8	7.4	5.0	8.0	5.0	8.4	4.9
	100	37.5	6.2	4.6	6.4	4.7	6.8	4.7	7.0	4.7	7.3	5.0	7.8	4.9	8.4	4.9
	104	40.0	6.1	4.6	6.3	4.7	6.8	4.7	6.9	4.7	7.2	4.9	7.8	4.9	8.3	4.9
110	43.0	6.1	4.5	6.2	4.6	6.7	4.6	6.8	4.7	7.2	4.9	7.7	4.9	8.2	4.8	

kcal/h = kW x 860, Btu/h = kW x 3,412

2. CAPACITY TABLES

R410A Data G3

2-3b. Heating capacity in combination with PUHY,PURY-P450,500,550,600,650YGM

PFFY-P-VKM-E

SHC : Sensible Heat Capacity(kW)

Model size (Rated kW)	Outdoor air temp.		Indoor air temp.			
			59 °FDB 15.0°CDB	68 °FDB 20.0°CDB	77 °FDB 25.0°CDB	81 °FDB 27.0°CDB
	°FWB	°CWB	SHC	SHC	SHC	SHC
20 (2.5)	-4	-20.0	1.3	1.3	1.3	1.3
	5	-15.0	1.6	1.5	1.5	1.5
	14	-10.0	1.8	1.8	1.7	1.7
	23	-5.0	2.1	2.0	1.9	1.8
	32	0.0	2.3	2.3	2.0	1.8
	37	2.5	2.4	2.4	2.0	1.8
	43	6.0	2.6	2.5	2.0	1.8
	46	7.5	2.7	2.5	2.0	1.8
	50	10.0	2.8	2.5	2.0	1.8
	55	12.5	2.9	2.5	2.0	1.8
60	15.5	2.9	2.5	2.0	1.8	
25 (3.2)	-4	-20.0	1.7	1.6	1.6	1.6
	5	-15.0	2.0	1.9	1.9	1.9
	14	-10.0	2.3	2.2	2.2	2.1
	23	-5.0	2.6	2.6	2.5	2.3
	32	0.0	2.9	2.9	2.5	2.3
	37	2.5	3.1	3.0	2.5	2.3
	43	6.0	3.3	3.2	2.5	2.3
	46	7.5	3.4	3.2	2.5	2.3
	50	10.0	3.6	3.2	2.5	2.3
	55	12.5	3.7	3.2	2.5	2.3
60	15.5	3.7	3.2	2.5	2.3	
32 (4.0)	-4	-20.0	2.1	2.0	2.0	2.0
	5	-15.0	2.5	2.4	2.4	2.3
	14	-10.0	2.9	2.8	2.7	2.6
	23	-5.0	3.3	3.2	3.1	2.8
	32	0.0	3.7	3.6	3.2	2.8
	37	2.5	3.8	3.8	3.2	2.8
	43	6.0	4.1	4.0	3.2	2.8
	46	7.5	4.2	4.0	3.2	2.8
	50	10.0	4.4	4.0	3.2	2.8
	55	12.5	4.6	4.0	3.2	2.8
60	15.5	4.6	4.0	3.2	2.8	
40 (5.0)	-4	-20.0	2.7	2.6	2.6	2.5
	5	-15.0	3.1	3.0	3.0	2.9
	14	-10.0	3.6	3.5	3.4	3.3
	23	-5.0	4.1	4.0	3.9	3.5
	32	0.0	4.6	4.5	4.0	3.5
	37	2.5	4.8	4.8	4.0	3.5
	43	6.0	5.2	5.0	4.0	3.5
	46	7.5	5.3	5.0	4.0	3.5
	50	10.0	5.6	5.0	4.0	3.5
	55	12.5	5.8	5.0	4.0	3.5
60	15.5	5.8	5.0	4.0	3.5	

kcal/h = kW x 860, Btu/h = kW x 3,412

2. CAPACITY TABLES

2-3b. Heating capacity in combination with PUHY,PURY-P450,500,550,600,650YGM

PFFY-P-VLEM-E,VLRM-E

SHC : Sensible Heat Capacity(kW)

Model size (Rated kW)	Outdoor air temp.		Indoor air temp.			
			59 °FDB 15.0°CDB	68 °FDB 20.0°CDB	77 °FDB 25.0°CDB	81 °FDB 27.0°CDB
	°FWB	°CWB	SHC	SHC	SHC	SHC
20 (2.5)	-4	-20.0	1.3	1.3	1.3	1.3
	5	-15.0	1.6	1.5	1.5	1.5
	14	-10.0	1.8	1.8	1.7	1.7
	23	-5.0	2.1	2.0	1.9	1.8
	32	0.0	2.3	2.3	2.0	1.8
	37	2.5	2.4	2.4	2.0	1.8
	43	6.0	2.6	2.5	2.0	1.8
	46	7.5	2.7	2.5	2.0	1.8
	50	10.0	2.8	2.5	2.0	1.8
	55	12.5	2.9	2.5	2.0	1.8
	60	15.5	2.9	2.5	2.0	1.8
25 (3.2)	-4	-20.0	1.7	1.6	1.6	1.6
	5	-15.0	2.0	1.9	1.9	1.9
	14	-10.0	2.3	2.2	2.2	2.1
	23	-5.0	2.6	2.6	2.5	2.3
	32	0.0	2.9	2.9	2.5	2.3
	37	2.5	3.1	3.0	2.5	2.3
	43	6.0	3.3	3.2	2.5	2.3
	46	7.5	3.4	3.2	2.5	2.3
	50	10.0	3.6	3.2	2.5	2.3
	55	12.5	3.7	3.2	2.5	2.3
	60	15.5	3.7	3.2	2.5	2.3
32 (4.0)	-4	-20.0	2.1	2.0	2.0	2.0
	5	-15.0	2.5	2.4	2.4	2.3
	14	-10.0	2.9	2.8	2.7	2.6
	23	-5.0	3.3	3.2	3.1	2.8
	32	0.0	3.7	3.6	3.2	2.8
	37	2.5	3.8	3.8	3.2	2.8
	43	6.0	4.1	4.0	3.2	2.8
	46	7.5	4.2	4.0	3.2	2.8
	50	10.0	4.4	4.0	3.2	2.8
	55	12.5	4.6	4.0	3.2	2.8
	60	15.5	4.6	4.0	3.2	2.8
40 (5.0)	-4	-20.0	2.7	2.6	2.6	2.5
	5	-15.0	3.1	3.0	3.0	2.9
	14	-10.0	3.6	3.5	3.4	3.3
	23	-5.0	4.1	4.0	3.9	3.5
	32	0.0	4.6	4.5	4.0	3.5
	37	2.5	4.8	4.8	4.0	3.5
	43	6.0	5.2	5.0	4.0	3.5
	46	7.5	5.3	5.0	4.0	3.5
	50	10.0	5.6	5.0	4.0	3.5
	55	12.5	5.8	5.0	4.0	3.5
	60	15.5	5.8	5.0	4.0	3.5
50 (6.3)	-4	-20.0	3.3	3.2	3.2	3.2
	5	-15.0	3.9	3.8	3.8	3.7
	14	-10.0	4.5	4.4	4.3	4.2
	23	-5.0	5.2	5.0	4.9	4.4
	32	0.0	5.8	5.7	5.0	4.4
	37	2.5	6.0	6.0	5.0	4.4
	43	6.0	6.5	6.3	5.0	4.4
	46	7.5	6.7	6.3	5.0	4.4
	50	10.0	7.0	6.3	5.0	4.4
	55	12.5	7.3	6.3	5.0	4.4
	60	15.5	7.3	6.3	5.0	4.4
63 (8.0)	-4	-20.0	4.2	4.1	4.1	4.0
	5	-15.0	5.0	4.8	4.8	4.6
	14	-10.0	5.8	5.6	5.4	5.3
	23	-5.0	6.6	6.4	6.2	5.6
	32	0.0	7.4	7.2	6.4	5.6
	37	2.5	7.7	7.6	6.4	5.6
	43	6.0	8.2	8.0	6.4	5.6
	46	7.5	8.5	8.0	6.4	5.6
	50	10.0	8.9	8.0	6.4	5.6
	55	12.5	9.3	8.0	6.4	5.6
	60	15.5	9.3	8.0	6.4	5.6

2. CAPACITY TABLES

R410A Data G3

2-4a. Cooling capacity in combination with PUHY-P700,750,800,850,900,950,1000,1050,1100,1150,1200,1250YSGM

PFFY-P-VKM-E

CA : Capacity(kW) SHC : Sensible Heat Capacity(kW)

Model size (Rated kW)	Outdoor air temp.		Indoor air temp.													
			71°FDB / 59°FWB		73°FDB / 61°FWB		77°FDB / 64°FWB		81°FDB / 66°FWB		82°FDB / 68°FWB		86°FDB / 72°FWB		90°FDB / 75°FWB	
			21.5°CDB / 15°CWB		23°CDB / 16°CWB		25°CDB / 18°CWB		27°CDB / 19°CWB		28°CDB / 20°CWB		30°CDB / 22°CWB		32°CDB / 24°CWB	
	°FDB	°CDB	CA	SHC	CA	SHC	CA	SHC	CA	SHC	CA	SHC	CA	SHC	CA	SHC
20 (2.2)	68	20.0	2.1	1.7	2.2	1.7	2.4	1.7	2.4	1.8	2.5	1.9	2.7	1.8	2.9	1.8
	73	22.5	2.1	1.7	2.2	1.7	2.3	1.7	2.4	1.8	2.5	1.8	2.7	1.8	2.8	1.8
	77	25.0	2.1	1.7	2.1	1.7	2.3	1.7	2.4	1.7	2.4	1.8	2.6	1.8	2.8	1.8
	82	27.5	2.0	1.6	2.1	1.7	2.2	1.7	2.3	1.7	2.4	1.8	2.6	1.8	2.7	1.8
	86	30.0	2.0	1.6	2.1	1.7	2.2	1.7	2.3	1.7	2.4	1.8	2.5	1.8	2.7	1.7
	91	32.5	1.9	1.6	2.0	1.7	2.2	1.7	2.2	1.7	2.3	1.8	2.5	1.8	2.6	1.7
	95	35.0	1.9	1.6	2.0	1.6	2.1	1.6	2.2	1.7	2.3	1.7	2.4	1.7	2.6	1.7
	100	37.5	1.9	1.6	2.0	1.6	2.1	1.6	2.2	1.7	2.2	1.7	2.4	1.7	2.5	1.7
	104	40.0	1.8	1.6	1.9	1.6	2.0	1.6	2.1	1.6	2.2	1.7	2.3	1.7	2.5	1.7
110	43.0	1.8	1.5	1.8	1.6	2.0	1.6	2.1	1.6	2.1	1.7	2.3	1.7	2.4	1.7	
25 (2.8)	68	20.0	2.7	2.0	2.8	2.1	3.0	2.1	3.1	2.1	3.2	2.2	3.4	2.2	3.7	2.1
	73	22.5	2.7	2.0	2.8	2.1	3.0	2.0	3.1	2.1	3.2	2.2	3.4	2.2	3.6	2.1
	77	25.0	2.6	2.0	2.7	2.0	2.9	2.0	3.0	2.1	3.1	2.1	3.3	2.1	3.5	2.1
	82	27.5	2.6	1.9	2.7	2.0	2.9	2.0	3.0	2.0	3.1	2.1	3.3	2.1	3.5	2.1
	86	30.0	2.5	1.9	2.6	2.0	2.8	2.0	2.9	2.0	3.0	2.1	3.2	2.1	3.4	2.1
	91	32.5	2.5	1.9	2.6	2.0	2.7	2.0	2.8	2.0	2.9	2.1	3.1	2.1	3.3	2.0
	95	35.0	2.4	1.9	2.5	1.9	2.7	1.9	2.8	2.0	2.9	2.0	3.1	2.0	3.3	2.0
	100	37.5	2.4	1.9	2.5	1.9	2.6	1.9	2.7	2.0	2.8	2.0	3.0	2.0	3.2	2.0
	104	40.0	2.4	1.8	2.4	1.9	2.6	1.9	2.7	1.9	2.8	2.0	3.0	2.0	3.2	2.0
110	43.0	2.3	1.8	2.4	1.9	2.5	1.9	2.6	1.9	2.7	2.0	2.9	2.0	3.1	1.9	
32 (3.6)	68	20.0	3.5	2.5	3.6	2.5	3.9	2.5	4.0	2.6	4.1	2.7	4.4	2.6	4.7	2.6
	73	22.5	3.4	2.4	3.5	2.5	3.8	2.5	3.9	2.5	4.1	2.6	4.4	2.6	4.6	2.6
	77	25.0	3.4	2.4	3.5	2.5	3.7	2.5	3.9	2.5	4.0	2.6	4.2	2.6	4.5	2.5
	82	27.5	3.3	2.4	3.4	2.4	3.7	2.4	3.8	2.5	3.9	2.6	4.2	2.5	4.5	2.5
	86	30.0	3.2	2.3	3.4	2.4	3.6	2.4	3.7	2.4	3.9	2.5	4.1	2.5	4.4	2.5
	91	32.5	3.2	2.3	3.3	2.4	3.5	2.4	3.7	2.4	3.8	2.5	4.0	2.5	4.3	2.4
	95	35.0	3.1	2.3	3.2	2.3	3.5	2.3	3.6	2.4	3.7	2.5	4.0	2.4	4.2	2.4
	100	37.5	3.1	2.2	3.2	2.3	3.4	2.3	3.5	2.3	3.7	2.4	3.9	2.4	4.1	2.4
	104	40.0	3.0	2.2	3.1	2.3	3.3	2.3	3.5	2.3	3.6	2.4	3.8	2.4	4.1	2.3
110	43.0	3.0	2.2	3.0	2.2	3.2	2.2	3.4	2.3	3.5	2.4	3.7	2.3	4.0	2.3	
40 (4.5)	68	20.0	4.3	3.0	4.5	3.1	4.8	3.1	5.0	3.2	5.2	3.3	5.5	3.2	5.9	3.2
	73	22.5	4.3	3.0	4.4	3.1	4.7	3.1	4.9	3.1	5.1	3.2	5.4	3.2	5.8	3.2
	77	25.0	4.2	3.0	4.4	3.0	4.7	3.0	4.8	3.1	5.0	3.2	5.3	3.2	5.7	3.1
	82	27.5	4.1	2.9	4.3	3.0	4.6	3.0	4.7	3.0	4.9	3.1	5.2	3.1	5.6	3.1
	86	30.0	4.1	2.9	4.2	3.0	4.5	3.0	4.7	3.0	4.8	3.1	5.1	3.1	5.5	3.0
	91	32.5	4.0	2.8	4.1	2.9	4.4	2.9	4.6	3.0	4.7	3.1	5.0	3.0	5.4	3.0
	95	35.0	3.9	2.8	4.1	2.9	4.3	2.9	4.5	2.9	4.6	3.0	5.0	3.0	5.3	3.0
	100	37.5	3.8	2.8	4.0	2.9	4.3	2.8	4.4	2.9	4.6	3.0	4.9	3.0	5.2	2.9
	104	40.0	3.8	2.7	3.9	2.8	4.2	2.8	4.3	2.8	4.5	3.0	4.8	2.9	5.1	2.9
110	43.0	3.7	2.7	3.8	2.8	4.1	2.7	4.2	2.8	4.4	2.9	4.7	2.9	5.0	2.8	

kcal/h = kW x 860, Btu/h = kW x 3,412

2. CAPACITY TABLES

2-4a. Cooling capacity in combination with PUHY-P700,750,800,850,900,950,1000,1050,1100,1150,1200,1250YSGM

PFFY-P-VLEM-E,VLRM-E

CA : Capacity(kW) SHC : Sensible Heat Capacity(kW)

Model size (Rated kW)	Outdoor air temp.		Indoor air temp.													
			71 °FDB / 59°FWB		73°FDB / 61°FWB		77°FDB / 64°FWB		81°FDB / 66°FWB		82°FDB / 68°FWB		86°FDB / 72°FWB		90°FDB / 75°FWB	
	°FDB	°CDB	CA	SHC	CA	SHC	CA	SHC	CA	SHC	CA	SHC	CA	SHC	CA	SHC
20 (2.2)	68	20.0	2.1	1.9	2.2	2.0	2.4	2.0	2.4	2.0	2.5	2.1	2.7	2.1	2.9	2.1
	73	22.5	2.1	1.9	2.2	2.0	2.3	1.9	2.4	2.0	2.5	2.1	2.7	2.1	2.8	2.0
	77	25.0	2.1	1.9	2.1	1.9	2.3	1.9	2.4	2.0	2.4	2.1	2.6	2.0	2.8	2.0
	82	27.5	2.0	1.8	2.1	1.9	2.2	1.9	2.3	2.0	2.4	2.1	2.6	2.0	2.7	2.0
	86	30.0	2.0	1.8	2.1	1.9	2.2	1.9	2.3	1.9	2.4	2.0	2.5	2.0	2.7	2.0
	91	32.5	1.9	1.8	2.0	1.9	2.2	1.9	2.2	1.9	2.3	2.0	2.5	2.0	2.6	2.0
	95	35.0	1.9	1.8	2.0	1.9	2.1	1.9	2.2	1.9	2.3	2.0	2.4	2.0	2.6	2.0
	100	37.5	1.9	1.8	2.0	1.9	2.1	1.8	2.2	1.9	2.2	2.0	2.4	2.0	2.5	1.9
	104	40.0	1.8	1.8	1.9	1.8	2.0	1.8	2.1	1.9	2.2	2.0	2.3	2.0	2.5	1.9
110	43.0	1.8	1.8	1.8	1.8	2.0	1.8	2.1	1.9	2.1	2.0	2.3	1.9	2.4	1.9	
25 (2.8)	68	20.0	2.7	2.2	2.8	2.2	3.0	2.2	3.1	2.3	3.2	2.4	3.4	2.4	3.7	2.3
	73	22.5	2.7	2.1	2.8	2.2	3.0	2.2	3.1	2.3	3.2	2.4	3.4	2.3	3.6	2.3
	77	25.0	2.6	2.1	2.7	2.2	2.9	2.2	3.0	2.2	3.1	2.3	3.3	2.3	3.5	2.3
	82	27.5	2.6	2.1	2.7	2.2	2.9	2.2	3.0	2.2	3.1	2.3	3.3	2.3	3.5	2.3
	86	30.0	2.5	2.1	2.6	2.2	2.8	2.1	2.9	2.2	3.0	2.3	3.2	2.3	3.4	2.2
	91	32.5	2.5	2.1	2.6	2.1	2.7	2.1	2.8	2.2	2.9	2.3	3.1	2.2	3.3	2.2
	95	35.0	2.4	2.0	2.5	2.1	2.7	2.1	2.8	2.2	2.9	2.2	3.1	2.2	3.3	2.2
	100	37.5	2.4	2.0	2.5	2.1	2.6	2.1	2.7	2.1	2.8	2.2	3.0	2.2	3.2	2.2
	104	40.0	2.4	2.0	2.4	2.1	2.6	2.1	2.7	2.1	2.8	2.2	3.0	2.2	3.2	2.1
110	43.0	2.3	2.0	2.4	2.0	2.5	2.0	2.6	2.1	2.7	2.2	2.9	2.2	3.1	2.1	
32 (3.6)	68	20.0	3.5	2.5	3.6	2.6	3.9	2.6	4.0	2.6	4.1	2.7	4.4	2.7	4.7	2.7
	73	22.5	3.4	2.5	3.5	2.6	3.8	2.5	3.9	2.6	4.1	2.7	4.4	2.7	4.6	2.6
	77	25.0	3.4	2.5	3.5	2.5	3.7	2.5	3.9	2.6	4.0	2.7	4.2	2.6	4.5	2.6
	82	27.5	3.3	2.4	3.4	2.5	3.7	2.5	3.8	2.5	3.9	2.6	4.2	2.6	4.5	2.6
	86	30.0	3.2	2.4	3.4	2.5	3.6	2.5	3.7	2.5	3.9	2.6	4.1	2.6	4.4	2.5
	91	32.5	3.2	2.4	3.3	2.4	3.5	2.4	3.7	2.5	3.8	2.6	4.0	2.5	4.3	2.5
	95	35.0	3.1	2.3	3.2	2.4	3.5	2.4	3.6	2.4	3.7	2.5	4.0	2.5	4.2	2.5
	100	37.5	3.1	2.3	3.2	2.4	3.4	2.4	3.5	2.4	3.7	2.5	3.9	2.5	4.1	2.5
	104	40.0	3.0	2.3	3.1	2.3	3.3	2.3	3.5	2.4	3.6	2.5	3.8	2.5	4.1	2.4
110	43.0	3.0	2.2	3.0	2.3	3.2	2.3	3.4	2.3	3.5	2.4	3.7	2.4	4.0	2.4	
40 (4.5)	68	20.0	4.3	3.1	4.5	3.2	4.8	3.2	5.0	3.3	5.2	3.4	5.5	3.4	5.9	3.3
	73	22.5	4.3	3.1	4.4	3.2	4.7	3.2	4.9	3.2	5.1	3.4	5.4	3.4	5.8	3.3
	77	25.0	4.2	3.1	4.4	3.2	4.7	3.2	4.8	3.2	5.0	3.3	5.3	3.3	5.7	3.3
	82	27.5	4.1	3.0	4.3	3.1	4.6	3.1	4.7	3.2	4.9	3.3	5.2	3.3	5.6	3.2
	86	30.0	4.1	3.0	4.2	3.1	4.5	3.1	4.7	3.1	4.8	3.3	5.1	3.2	5.5	3.2
	91	32.5	4.0	3.0	4.1	3.1	4.4	3.0	4.6	3.1	4.7	3.2	5.0	3.2	5.4	3.2
	95	35.0	3.9	2.9	4.1	3.0	4.3	3.0	4.5	3.1	4.6	3.2	5.0	3.2	5.3	3.1
	100	37.5	3.8	2.9	4.0	3.0	4.3	3.0	4.4	3.0	4.6	3.2	4.9	3.1	5.2	3.1
	104	40.0	3.8	2.9	3.9	2.9	4.2	2.9	4.3	3.0	4.5	3.1	4.8	3.1	5.1	3.0
110	43.0	3.7	2.8	3.8	2.9	4.1	2.9	4.2	2.9	4.4	3.1	4.7	3.0	5.0	3.0	
50 (5.6)	68	20.0	5.4	4.0	5.6	4.1	6.0	4.1	6.2	4.2	6.4	4.3	6.9	4.3	7.3	4.2
	73	22.5	5.3	3.9	5.5	4.1	5.9	4.0	6.1	4.1	6.3	4.3	6.8	4.2	7.2	4.2
	77	25.0	5.3	3.9	5.4	4.0	5.8	4.0	6.0	4.1	6.2	4.2	6.6	4.2	7.1	4.1
	82	27.5	5.2	3.8	5.3	4.0	5.7	4.0	5.9	4.0	6.1	4.2	6.5	4.1	6.9	4.1
	86	30.0	5.0	3.8	5.2	3.9	5.6	3.9	5.8	4.0	6.0	4.1	6.4	4.1	6.8	4.0
	91	32.5	5.0	3.8	5.1	3.9	5.5	3.9	5.7	3.9	5.9	4.1	6.3	4.0	6.7	4.0
	95	35.0	4.9	3.7	5.0	3.8	5.4	3.8	5.6	3.9	5.8	4.0	6.2	4.0	6.6	3.9
	100	37.5	4.8	3.7	5.0	3.8	5.3	3.8	5.5	3.8	5.7	4.0	6.0	4.0	6.4	3.9
	104	40.0	4.7	3.6	4.8	3.7	5.2	3.7	5.4	3.8	5.6	4.0	5.9	3.9	6.3	3.9
110	43.0	4.6	3.6	4.7	3.7	5.0	3.7	5.2	3.7	5.4	3.9	5.8	3.9	6.2	3.8	
63 (7.1)	68	20.0	6.9	4.9	7.1	5.1	7.6	5.1	7.9	5.1	8.2	5.3	8.7	5.3	9.3	5.2
	73	22.5	6.7	4.9	7.0	5.0	7.5	5.0	7.8	5.1	8.0	5.3	8.6	5.2	9.1	5.1
	77	25.0	6.7	4.8	6.9	5.0	7.4	5.0	7.6	5.0	7.9	5.2	8.4	5.1	8.9	5.1
	82	27.5	6.5	4.8	6.7	4.9	7.2	4.9	7.5	5.0	7.7	5.1	8.3	5.1	8.8	5.0
	86	30.0	6.4	4.7	6.6	4.8	7.1	4.8	7.3	4.9	7.6	5.1	8.1	5.0	8.7	5.0
	91	32.5	6.3	4.6	6.5	4.8	7.0	4.8	7.2	4.8	7.5	5.0	8.0	5.0	8.5	4.9
	95	35.0	6.2	4.6	6.4	4.7	6.8	4.7	7.1	4.8	7.3	5.0	7.8	4.9	8.3	4.9
	100	37.5	6.1	4.5	6.3	4.7	6.7	4.6	7.0	4.7	7.2	4.9	7.7	4.9	8.2	4.8
	104	40.0	6.0	4.5	6.1	4.6	6.6	4.6	6.8	4.7	7.1	4.9	7.5	4.8	8.0	4.7
110	43.0	5.8	4.4	6.0	4.5	6.4	4.5	6.6	4.6	6.9	4.8	7.3	4.7	7.8	4.7	

kcal/h = kW x 860, Btu/h = kW x 3,412

2. CAPACITY TABLES

R410A Data G3

2-4b. Heating capacity in combination with PUHY-P700,750,800,850,900,950,1000,1050,1100,1150,1200,1250YSGM

PFFY-P-VKM-E

SHC : Sensible Heat Capacity(kW)

Model size (Rated kW)	Outdoor air temp.		Indoor air temp.			
			59 °FDB 15.0°CDB	68 °FDB 20.0°CDB	77 °FDB 25.0°CDB	81 °FDB 27.0°CDB
	°FWB	°CWB	SHC	SHC	SHC	SHC
20 (2.5)	-4	-20.0	1.3	1.3	1.3	1.2
	5	-15.0	1.5	1.5	1.5	1.5
	14	-10.0	1.8	1.8	1.7	1.7
	23	-5.0	2.0	2.0	1.9	1.8
	32	0.0	2.3	2.2	2.0	1.8
	37	2.5	2.4	2.4	2.0	1.8
	43	6.0	2.6	2.5	2.0	1.8
	46	7.5	2.7	2.5	2.0	1.8
	50	10.0	2.8	2.5	2.0	1.8
	55	12.5	2.9	2.5	2.0	1.8
60	15.5	2.9	2.5	2.0	1.8	
25 (3.2)	-4	-20.0	1.6	1.6	1.6	1.6
	5	-15.0	2.0	1.9	1.9	1.9
	14	-10.0	2.3	2.2	2.2	2.1
	23	-5.0	2.6	2.6	2.5	2.4
	32	0.0	2.9	2.9	2.5	2.4
	37	2.5	3.1	3.0	2.5	2.4
	43	6.0	3.3	3.2	2.5	2.4
	46	7.5	3.4	3.2	2.5	2.4
	50	10.0	3.6	3.2	2.5	2.4
	55	12.5	3.7	3.2	2.5	2.4
60	15.5	3.7	3.2	2.5	2.4	
32 (4.0)	-4	-20.0	2.0	2.0	2.0	2.0
	5	-15.0	2.4	2.4	2.4	2.3
	14	-10.0	2.8	2.8	2.7	2.7
	23	-5.0	3.2	3.2	3.1	2.9
	32	0.0	3.6	3.6	3.2	2.9
	37	2.5	3.8	3.8	3.2	2.9
	43	6.0	4.1	4.0	3.2	2.9
	46	7.5	4.2	4.0	3.2	2.9
	50	10.0	4.4	4.0	3.2	2.9
	55	12.5	4.6	4.0	3.2	2.9
60	15.5	4.6	4.0	3.2	2.9	
40 (5.0)	-4	-20.0	2.5	2.5	2.5	2.5
	5	-15.0	3.1	3.0	3.0	2.9
	14	-10.0	3.6	3.5	3.4	3.4
	23	-5.0	4.1	4.0	3.9	3.7
	32	0.0	4.6	4.5	4.0	3.7
	37	2.5	4.8	4.7	4.0	3.7
	43	6.0	5.2	5.0	4.0	3.7
	46	7.5	5.3	5.0	4.0	3.7
	50	10.0	5.6	5.0	4.0	3.7
	55	12.5	5.8	5.0	4.0	3.7
60	15.5	5.8	5.0	4.0	3.7	

kcal/h = kW x 860, Btu/h = kW x 3,412

2. CAPACITY TABLES

2-4b. Heating capacity in combination with PUHY-P700,750,800,850,900,950,1000,1050,1100,1150,1200,1250YSGM

PFFY-P-VLEM-E,VLRM-E

SHC : Sensible Heat Capacity(kW)

Model size (Rated kW)	Outdoor air temp.		Indoor air temp.			
			59 °FDB 15.0°CDB	68 °FDB 20.0°CDB	77 °FDB 25.0°CDB	81 °FDB 27.0°CDB
	°FWB	°CWB	SHC	SHC	SHC	SHC
20 (2.5)	-4	-20.0	1.3	1.3	1.3	1.2
	5	-15.0	1.5	1.5	1.5	1.5
	14	-10.0	1.8	1.8	1.7	1.7
	23	-5.0	2.0	2.0	1.9	1.8
	32	0.0	2.3	2.2	2.0	1.8
	37	2.5	2.4	2.4	2.0	1.8
	43	6.0	2.6	2.5	2.0	1.8
	46	7.5	2.7	2.5	2.0	1.8
	50	10.0	2.8	2.5	2.0	1.8
	55	12.5	2.9	2.5	2.0	1.8
	60	15.5	2.9	2.5	2.0	1.8
25 (3.2)	-4	-20.0	1.6	1.6	1.6	1.6
	5	-15.0	2.0	1.9	1.9	1.9
	14	-10.0	2.3	2.2	2.2	2.1
	23	-5.0	2.6	2.6	2.5	2.4
	32	0.0	2.9	2.9	2.5	2.4
	37	2.5	3.1	3.0	2.5	2.4
	43	6.0	3.3	3.2	2.5	2.4
	46	7.5	3.4	3.2	2.5	2.4
	50	10.0	3.6	3.2	2.5	2.4
	55	12.5	3.7	3.2	2.5	2.4
	60	15.5	3.7	3.2	2.5	2.4
32 (4.0)	-4	-20.0	2.0	2.0	2.0	2.0
	5	-15.0	2.4	2.4	2.4	2.3
	14	-10.0	2.8	2.8	2.7	2.7
	23	-5.0	3.2	3.2	3.1	2.9
	32	0.0	3.6	3.6	3.2	2.9
	37	2.5	3.8	3.8	3.2	2.9
	43	6.0	4.1	4.0	3.2	2.9
	46	7.5	4.2	4.0	3.2	2.9
	50	10.0	4.4	4.0	3.2	2.9
	55	12.5	4.6	4.0	3.2	2.9
	60	15.5	4.6	4.0	3.2	2.9
40 (5.0)	-4	-20.0	2.5	2.5	2.5	2.5
	5	-15.0	3.1	3.0	3.0	2.9
	14	-10.0	3.6	3.5	3.4	3.4
	23	-5.0	4.1	4.0	3.9	3.7
	32	0.0	4.6	4.5	4.0	3.7
	37	2.5	4.8	4.7	4.0	3.7
	43	6.0	5.2	5.0	4.0	3.7
	46	7.5	5.3	5.0	4.0	3.7
	50	10.0	5.6	5.0	4.0	3.7
	55	12.5	5.8	5.0	4.0	3.7
	60	15.5	5.8	5.0	4.0	3.7
50 (6.3)	-4	-20.0	3.2	3.2	3.2	3.1
	5	-15.0	3.8	3.8	3.7	3.7
	14	-10.0	4.5	4.4	4.3	4.2
	23	-5.0	5.1	5.0	4.9	4.6
	32	0.0	5.7	5.6	5.0	4.6
	37	2.5	6.0	5.9	5.0	4.6
	43	6.0	6.5	6.3	5.0	4.6
	46	7.5	6.7	6.3	5.0	4.6
	50	10.0	7.0	6.3	5.0	4.6
	55	12.5	7.3	6.3	5.0	4.6
	60	15.5	7.3	6.3	5.0	4.6
63 (8.0)	-4	-20.0	4.0	4.0	4.0	3.9
	5	-15.0	4.9	4.8	4.8	4.6
	14	-10.0	5.7	5.6	5.4	5.4
	23	-5.0	6.5	6.4	6.2	5.9
	32	0.0	7.3	7.2	6.4	5.9
	37	2.5	7.7	7.5	6.4	5.9
	43	6.0	8.2	8.0	6.4	5.9
	46	7.5	8.5	8.0	6.4	5.9
	50	10.0	8.9	8.0	6.4	5.9
	55	12.5	9.3	8.0	6.4	5.9
	60	15.5	9.3	8.0	6.4	5.9

2. CAPACITY TABLES

R410A Data G3

2-5a. Cooling capacity in combination with PQHY,PQRY-P200,250YGM, PQHY,PQRY-P400,500YSGM

PFFY-P-VKM-E

CA : Capacity(kW) SHC : Sensible Heat Capacity(kW)

Model size (Rated kW)	Water temp.		Indoor air temp.													
			71°FDB / 59°FWB		73°FDB / 61°FWB		77°FDB / 64°FWB		81°FDB / 66°FWB		82°FDB / 68°FWB		86°FDB / 72°FWB		90°FDB / 75°FWB	
			21.5°CDB / 15°CWB		23°CDB / 16°CWB		25°CDB / 18°CWB		27°CDB / 19°CWB		28°CDB / 20°CWB		30°CDB / 22°CWB		32°CDB / 24°CWB	
	°F	°C	CA	SHC	CA	SHC	CA	SHC	CA	SHC	CA	SHC	CA	SHC	CA	SHC
20 (2.2)	50	10.0	2.2	1.7	2.3	1.8	2.4	1.8	2.5	1.8	2.6	1.9	2.7	1.8	2.9	1.8
	68	20.0	2.1	1.7	2.1	1.7	2.3	1.7	2.4	1.7	2.4	1.8	2.6	1.8	2.7	1.8
	86	30.0	1.9	1.6	2.0	1.7	2.1	1.6	2.2	1.7	2.3	1.8	2.4	1.7	2.5	1.7
	104	40.0	1.7	1.5	1.8	1.6	1.9	1.6	2.0	1.6	2.1	1.7	2.2	1.6	2.3	1.6
	113	45.0	1.6	1.5	1.7	1.5	1.8	1.5	1.9	1.5	1.9	1.6	2.0	1.6	2.2	1.6
25 (2.8)	50	10.0	2.8	2.0	2.9	2.1	3.1	2.1	3.2	2.1	3.3	2.2	3.5	2.2	3.7	2.1
	68	20.0	2.6	2.0	2.7	2.0	2.9	2.0	3.0	2.1	3.1	2.1	3.3	2.1	3.5	2.1
	86	30.0	2.5	1.9	2.5	2.0	2.7	1.9	2.8	2.0	2.9	2.1	3.1	2.0	3.2	2.0
	104	40.0	2.2	1.8	2.3	1.8	2.5	1.8	2.5	1.9	2.6	1.9	2.8	1.9	2.9	1.9
	113	45.0	2.1	1.7	2.1	1.8	2.3	1.8	2.4	1.8	2.4	1.9	2.6	1.8	2.7	1.8
32 (3.6)	50	10.0	3.6	2.5	3.7	2.6	3.9	2.6	4.1	2.6	4.2	2.7	4.5	2.6	4.7	2.6
	68	20.0	3.4	2.4	3.5	2.5	3.7	2.5	3.9	2.5	4.0	2.6	4.2	2.5	4.5	2.5
	86	30.0	3.2	2.3	3.3	2.4	3.5	2.3	3.6	2.4	3.7	2.5	3.9	2.4	4.2	2.4
	104	40.0	2.9	2.1	3.0	2.2	3.2	2.2	3.3	2.2	3.4	2.3	3.6	2.3	3.8	2.2
	113	45.0	2.7	2.0	2.8	2.1	3.0	2.1	3.0	2.1	3.1	2.2	3.3	2.2	3.5	2.2
40 (4.5)	50	10.0	4.5	3.1	4.6	3.2	4.9	3.2	5.1	3.2	5.2	3.3	5.6	3.3	5.9	3.2
	68	20.0	4.2	3.0	4.4	3.1	4.7	3.0	4.8	3.1	5.0	3.2	5.3	3.1	5.6	3.1
	86	30.0	3.9	2.8	4.1	2.9	4.4	2.9	4.5	2.9	4.6	3.0	4.9	3.0	5.2	2.9
	104	40.0	3.6	2.6	3.7	2.7	3.9	2.7	4.1	2.7	4.2	2.8	4.5	2.8	4.7	2.8
	113	45.0	3.3	2.5	3.5	2.6	3.7	2.6	3.8	2.6	3.9	2.7	4.2	2.7	4.4	2.6

kcal/h = kW x 860, Btu/h = kW x 3,412

2. CAPACITY TABLES

R410A Data G3

2-5a. Cooling capacity in combination with PQHY,PQRY-P200,250YGM, PQHY,PQRY-P400,500YSGM

PFFY-P-VLEM-E,VLRM-E

CA : Capacity(kW) SHC : Sensible Heat Capacity(kW)

Model size (Rated kW)	Water temp.		Indoor air temp.													
			71 °FDB / 59°F WB		73°FDB / 61°F WB		77°FDB / 64°F WB		81°FDB / 66°F WB		82°FDB / 68°F WB		86°FDB / 72°F WB		90°FDB / 75°F WB	
	°F	°C	CA	SHC	CA	SHC	CA	SHC	CA	SHC	CA	SHC	CA	SHC	CA	SHC
20 (2.2)	50	10.0	2.2	1.9	2.3	2.0	2.4	2.0	2.5	2.0	2.6	2.1	2.7	2.1	2.9	2.1
	68	20.0	2.1	1.9	2.1	1.9	2.3	1.9	2.4	2.0	2.4	2.1	2.6	2.0	2.7	2.0
	86	30.0	1.9	1.8	2.0	1.9	2.1	1.9	2.2	1.9	2.3	2.0	2.4	2.0	2.5	2.0
	104	40.0	1.7	1.7	1.8	1.8	1.9	1.8	2.0	1.8	2.1	1.9	2.2	1.9	2.3	1.9
	113	45.0	1.6	1.7	1.7	1.7	1.8	1.7	1.9	1.8	1.9	1.9	2.0	1.9	2.2	1.8
25 (2.8)	50	10.0	2.8	2.2	2.9	2.3	3.1	2.3	3.2	2.3	3.3	2.4	3.5	2.4	3.7	2.3
	68	20.0	2.6	2.1	2.7	2.2	2.9	2.2	3.0	2.2	3.1	2.3	3.3	2.3	3.5	2.3
	86	30.0	2.5	2.0	2.5	2.1	2.7	2.1	2.8	2.2	2.9	2.2	3.1	2.2	3.2	2.2
	104	40.0	2.2	1.9	2.3	2.0	2.5	2.0	2.5	2.0	2.6	2.1	2.8	2.1	2.9	2.1
	113	45.0	2.1	1.9	2.1	1.9	2.3	1.9	2.4	2.0	2.4	2.1	2.6	2.0	2.7	2.0
32 (3.6)	50	10.0	3.6	2.6	3.7	2.6	3.9	2.6	4.1	2.6	4.2	2.7	4.5	2.7	4.7	2.7
	68	20.0	3.4	2.5	3.5	2.5	3.7	2.5	3.9	2.6	4.0	2.6	4.2	2.6	4.5	2.6
	86	30.0	3.2	2.3	3.3	2.4	3.5	2.4	3.6	2.4	3.7	2.5	3.9	2.5	4.2	2.5
	104	40.0	2.9	2.2	3.0	2.3	3.2	2.3	3.3	2.3	3.4	2.4	3.6	2.4	3.8	2.3
	113	45.0	2.7	2.1	2.8	2.2	3.0	2.2	3.0	2.2	3.1	2.3	3.3	2.3	3.5	2.2
40 (4.5)	50	10.0	4.5	3.2	4.6	3.3	4.9	3.3	5.1	3.3	5.2	3.4	5.6	3.4	5.9	3.3
	68	20.0	4.2	3.1	4.4	3.2	4.7	3.2	4.8	3.2	5.0	3.3	5.3	3.3	5.6	3.2
	86	30.0	3.9	2.9	4.1	3.0	4.4	3.0	4.5	3.1	4.6	3.2	4.9	3.1	5.2	3.1
	104	40.0	3.6	2.8	3.7	2.9	3.9	2.8	4.1	2.9	4.2	3.0	4.5	3.0	4.7	2.9
	113	45.0	3.3	2.7	3.5	2.7	3.7	2.7	3.8	2.8	3.9	2.9	4.2	2.9	4.4	2.8
50 (5.6)	50	10.0	5.5	4.0	5.7	4.2	6.1	4.1	6.3	4.2	6.5	4.4	6.9	4.3	7.3	4.2
	68	20.0	5.3	3.9	5.4	4.0	5.8	4.0	6.0	4.1	6.2	4.2	6.6	4.2	6.9	4.1
	86	30.0	4.9	3.7	5.1	3.8	5.4	3.8	5.6	3.9	5.8	4.0	6.1	4.0	6.5	3.9
	104	40.0	4.4	3.5	4.6	3.6	4.9	3.6	5.1	3.7	5.2	3.8	5.5	3.8	5.9	3.7
	113	45.0	4.2	3.4	4.3	3.5	4.6	3.5	4.7	3.5	4.9	3.7	5.2	3.6	5.5	3.6
63 (7.1)	50	10.0	7.0	5.0	7.3	5.2	7.8	5.1	8.0	5.2	8.3	5.4	8.8	5.3	9.3	5.2
	68	20.0	6.7	4.8	6.9	5.0	7.4	4.9	7.6	5.0	7.8	5.2	8.3	5.1	8.8	5.0
	86	30.0	6.2	4.6	6.4	4.7	6.9	4.7	7.1	4.8	7.3	5.0	7.8	4.9	8.2	4.8
	104	40.0	5.6	4.3	5.8	4.5	6.2	4.4	6.4	4.5	6.6	4.7	7.0	4.6	7.4	4.5
	113	45.0	5.3	4.1	5.4	4.3	5.8	4.3	6.0	4.3	6.2	4.5	6.6	4.4	6.9	4.4

kcal/h = kW x 860, Btu/h = kW x 3,412

2. CAPACITY TABLES

R410A Data G3

2-5b. Heating capacity in combination with PQHY,PQRY-P200,250YGM, PQHY,PQRY-P400,500YSGM

PFFY-P-VKM-E

SHC : Sensible Heat Capacity(kW)

Model size (Rated kW)	Water temp.		Indoor air temp. : °CDB				
			59 °FDB	66 °FDB	68 °FDB	77 °FDB	81 °FDB
			15.0°CDB	19.0°CDB	20.0°CDB	25.0°CDB	27.0°CDB
	°F	°C	SHC	SHC	SHC	SHC	SHC
20 (2.5)	50	10	2.0	2.0	2.0	1.7	1.5
	68	20	2.5	2.5	2.5	2.1	1.9
	86	30	2.5	2.5	2.5	2.1	1.9
	104	40	2.5	2.5	2.5	2.1	1.9
	113	45	2.5	2.5	2.5	2.1	1.9
25 (3.2)	50	10	2.5	2.5	2.5	2.1	2.0
	68	20	3.2	3.2	3.2	2.7	2.5
	86	30	3.2	3.2	3.2	2.7	2.5
	104	40	3.2	3.2	3.2	2.7	2.5
	113	45	3.2	3.2	3.2	2.7	2.5
32 (4.0)	50	10	3.2	3.2	3.2	2.7	2.4
	68	20	4.0	4.0	4.0	3.4	3.1
	86	30	4.0	4.0	4.0	3.4	3.1
	104	40	4.0	4.0	4.0	3.4	3.1
	113	45	4.0	4.0	4.0	3.4	3.1
40 (5.0)	50	10	4.0	4.0	4.0	3.4	3.1
	68	20	5.0	5.0	5.0	4.2	3.9
	86	30	5.0	5.0	5.0	4.2	3.9
	104	40	5.0	5.0	5.0	4.2	3.9
	113	45	5.0	5.0	5.0	4.2	3.9

kcal/h = kW x 860, Btu/h = kW x 3,412

2. CAPACITY TABLES

2-5b. Heating capacity in combination with PQHY,PQRY-P200,250YGM, PQHY,PQRY-P400,500YSGM

PFFY-P-VLEM-E,VLRM-E

SHC : Sensible Heat Capacity(kW)

Model size (Rated kW)	Water temp.		Indoor air temp. : °CDB				
			59 °FDB	66 °FDB	68 °FDB	77 °FDB	81 °FDB
			15.0°CDB	19.0°CDB	20.0°CDB	25.0°CDB	27.0°CDB
	°F	°C	SHC	SHC	SHC	SHC	SHC
20 (2.5)	50	10	2.0	2.0	2.0	1.7	1.5
	68	20	2.5	2.5	2.5	2.1	1.9
	86	30	2.5	2.5	2.5	2.1	1.9
	104	40	2.5	2.5	2.5	2.1	1.9
	113	45	2.5	2.5	2.5	2.1	1.9
25 (3.2)	50	10	2.5	2.5	2.5	2.1	2.0
	68	20	3.2	3.2	3.2	2.7	2.5
	86	30	3.2	3.2	3.2	2.7	2.5
	104	40	3.2	3.2	3.2	2.7	2.5
	113	45	3.2	3.2	3.2	2.7	2.5
32 (4.0)	50	10	3.2	3.2	3.2	2.7	2.4
	68	20	4.0	4.0	4.0	3.4	3.1
	86	30	4.0	4.0	4.0	3.4	3.1
	104	40	4.0	4.0	4.0	3.4	3.1
	113	45	4.0	4.0	4.0	3.4	3.1
40 (5.0)	50	10	4.0	4.0	4.0	3.4	3.1
	68	20	5.0	5.0	5.0	4.2	3.9
	86	30	5.0	5.0	5.0	4.2	3.9
	104	40	5.0	5.0	5.0	4.2	3.9
	113	45	5.0	5.0	5.0	4.2	3.9
50 (6.3)	50	10	5.0	5.0	5.0	4.2	3.9
	68	20	6.3	6.3	6.3	5.3	4.9
	86	30	6.3	6.3	6.3	5.3	4.9
	104	40	6.3	6.3	6.3	5.3	4.9
	113	45	6.3	6.3	6.3	5.3	4.9
63 (8.0)	50	10	6.3	6.3	6.3	5.4	4.9
	68	20	8.0	8.0	8.0	6.8	6.2
	86	30	8.0	8.0	8.0	6.8	6.2
	104	40	8.0	8.0	8.0	6.8	6.2
	113	45	8.0	8.0	8.0	6.8	6.2

A
B
C
D
E
F
G
H
I
J
V_a
V_a
BC

2. CAPACITY TABLES

R410A Data G3

2-6a. Cooling capacity in combination with PUMY-P100,125,140YHM,VHM

PFFY-P-VKM-E

CA : Capacity(kW) SHC : Sensible Heat Capacity(kW)

Model size (Rated kW)	Outdoor air temp.		Indoor air temp.													
			71°FDB / 59°FWB		73°FDB / 61°FWB		77°FDB / 64°FWB		81°FDB / 66°FWB		82°FDB / 68°FWB		86°FDB / 72°FWB		90°FDB / 75°FWB	
			21.5°CDB / 15°CWB		23°CDB / 16°CWB		25°CDB / 18°CWB		27°CDB / 19°CWB		28°CDB / 20°CWB		30°CDB / 22°CWB		32°CDB / 24°CWB	
	°FDB	°CDB	CA	SHC	CA	SHC	CA	SHC	CA	SHC	CA	SHC	CA	SHC	CA	SHC
20 (2.2)	68	20.0	2.1	1.7	2.2	1.7	2.3	1.7	2.4	1.8	2.4	1.8	2.6	1.8	2.7	1.8
	73	22.5	2.1	1.7	2.1	1.7	2.3	1.7	2.3	1.8	2.4	1.8	2.5	1.8	2.7	1.8
	77	25.0	2.0	1.6	2.1	1.7	2.2	1.7	2.3	1.8	2.4	1.8	2.5	1.8	2.6	1.8
	82	27.5	2.0	1.6	2.1	1.7	2.2	1.7	2.3	1.8	2.3	1.8	2.5	1.8	2.6	1.8
	86	30.0	2.0	1.6	2.0	1.6	2.2	1.7	2.2	1.8	2.3	1.8	2.4	1.8	2.6	1.8
	91	32.5	1.9	1.6	2.0	1.6	2.1	1.6	2.2	1.7	2.3	1.7	2.4	1.7	2.6	1.7
	95	35.0	1.9	1.5	2.0	1.6	2.1	1.6	2.2	1.7	2.2	1.7	2.4	1.7	2.5	1.7
	100	37.5	1.9	1.5	1.9	1.5	2.1	1.6	2.1	1.7	2.2	1.7	2.4	1.7	2.5	1.7
	104	40.0	1.8	1.5	1.9	1.5	2.0	1.5	2.1	1.6	2.2	1.7	2.3	1.7	2.5	1.7
110	43.0	1.8	1.4	1.8	1.5	2.0	1.5	2.1	1.6	2.1	1.6	2.3	1.6	2.4	1.7	
25 (2.8)	68	20.0	2.7	2.0	2.7	2.0	2.9	2.0	3.0	2.2	3.1	2.2	3.2	2.1	3.4	2.1
	73	22.5	2.6	1.9	2.7	2.0	2.9	2.0	3.0	2.1	3.0	2.1	3.2	2.1	3.4	2.1
	77	25.0	2.6	1.9	2.7	2.0	2.8	2.0	2.9	2.1	3.0	2.1	3.2	2.1	3.3	2.1
	82	27.5	2.6	1.9	2.6	2.0	2.8	2.0	2.9	2.1	3.0	2.1	3.1	2.1	3.3	2.1
	86	30.0	2.5	1.9	2.6	1.9	2.8	1.9	2.9	2.1	2.9	2.1	3.1	2.1	3.3	2.0
	91	32.5	2.5	1.8	2.6	1.9	2.7	1.9	2.8	2.0	2.9	2.0	3.1	2.0	3.2	2.0
	95	35.0	2.4	1.8	2.5	1.9	2.7	1.9	2.8	2.0	2.9	2.0	3.0	2.0	3.2	2.0
	100	37.5	2.4	1.8	2.5	1.8	2.6	1.8	2.7	2.0	2.8	2.0	3.0	2.0	3.2	2.0
	104	40.0	2.3	1.7	2.4	1.8	2.6	1.8	2.7	1.9	2.8	1.9	3.0	2.0	3.2	2.0
110	43.0	2.3	1.7	2.4	1.7	2.5	1.8	2.6	1.9	2.7	1.9	2.9	1.9	3.1	1.9	
32 (3.6)	68	20.0	3.4	2.4	3.5	2.4	3.7	2.4	3.9	2.6	4.0	2.6	4.2	2.5	4.4	2.5
	73	22.5	3.4	2.3	3.5	2.4	3.7	2.4	3.8	2.6	3.9	2.5	4.1	2.5	4.3	2.5
	77	25.0	3.3	2.3	3.4	2.4	3.7	2.4	3.8	2.5	3.9	2.5	4.1	2.5	4.3	2.5
	82	27.5	3.3	2.3	3.4	2.3	3.6	2.3	3.7	2.5	3.8	2.5	4.0	2.5	4.3	2.4
	86	30.0	3.2	2.2	3.3	2.3	3.6	2.3	3.7	2.5	3.8	2.5	4.0	2.4	4.2	2.4
	91	32.5	3.2	2.2	3.3	2.3	3.5	2.3	3.6	2.4	3.7	2.4	4.0	2.4	4.2	2.4
	95	35.0	3.1	2.1	3.2	2.2	3.5	2.2	3.6	2.4	3.7	2.4	3.9	2.4	4.1	2.4
	100	37.5	3.0	2.1	3.2	2.2	3.4	2.2	3.5	2.4	3.6	2.4	3.9	2.4	4.1	2.3
	104	40.0	3.0	2.1	3.1	2.1	3.3	2.2	3.5	2.3	3.6	2.3	3.8	2.3	4.1	2.3
110	43.0	2.9	2.0	3.0	2.1	3.3	2.1	3.4	2.3	3.5	2.3	3.7	2.3	4.0	2.3	
40 (4.5)	68	20.0	4.3	2.9	4.4	3.0	4.7	3.0	4.8	3.2	5.0	3.2	5.2	3.1	5.5	3.1
	73	22.5	4.2	2.9	4.4	3.0	4.6	3.0	4.8	3.1	4.9	3.1	5.2	3.1	5.4	3.0
	77	25.0	4.2	2.8	4.3	2.9	4.6	2.9	4.7	3.1	4.8	3.1	5.1	3.1	5.4	3.0
	82	27.5	4.1	2.8	4.2	2.9	4.5	2.9	4.6	3.1	4.8	3.1	5.1	3.0	5.3	3.0
	86	30.0	4.1	2.8	4.2	2.8	4.5	2.9	4.6	3.0	4.7	3.0	5.0	3.0	5.3	2.9
	91	32.5	4.0	2.7	4.1	2.8	4.4	2.8	4.5	3.0	4.7	3.0	4.9	3.0	5.2	2.9
	95	35.0	3.9	2.6	4.0	2.7	4.3	2.8	4.5	2.9	4.6	2.9	4.9	2.9	5.2	2.9
	100	37.5	3.8	2.6	3.9	2.7	4.2	2.7	4.4	2.9	4.5	2.9	4.8	2.9	5.1	2.9
	104	40.0	3.7	2.5	3.9	2.6	4.2	2.7	4.3	2.9	4.5	2.9	4.8	2.9	5.1	2.8
110	43.0	3.6	2.5	3.8	2.6	4.1	2.6	4.2	2.8	4.4	2.8	4.7	2.8	5.0	2.8	

kcal/h = kW x 860, Btu/h = kW x 3,412

2. CAPACITY TABLES

R410A Data G3

2-6a. Cooling capacity in combination with PUMY-P100,125,140YHM,VHM

PFFY-P-VLEM-E,VLRM-E

CA : Capacity(kW) SHC : Sensible Heat Capacity(kW)

Model size (Rated kW)	Outdoor air temp.		Indoor air temp.													
			71°FDB / 59°FWB		73°FDB / 61°FWB		77°FDB / 64°FWB		81°FDB / 66°FWB		82°FDB / 68°FWB		86°FDB / 72°FWB		90°FDB / 75°FWB	
	°FDB	°CDB	CA	SHC	CA	SHC	CA	SHC	CA	SHC	CA	SHC	CA	SHC	CA	SHC
20 (2.2)	68	20.0	2.1	1.9	2.2	1.9	2.3	1.9	2.4	2.1	2.4	2.1	2.6	2.1	2.7	2.1
	73	22.5	2.1	1.8	2.1	1.9	2.3	1.9	2.3	2.0	2.4	2.0	2.5	2.0	2.7	2.1
	77	25.0	2.0	1.8	2.1	1.9	2.2	1.9	2.3	2.0	2.4	2.0	2.5	2.0	2.6	2.0
	82	27.5	2.0	1.8	2.1	1.8	2.2	1.9	2.3	2.0	2.3	2.0	2.5	2.0	2.6	2.0
	86	30.0	2.0	1.8	2.0	1.8	2.2	1.9	2.2	2.0	2.3	2.0	2.4	2.0	2.6	2.0
	91	32.5	1.9	1.7	2.0	1.8	2.1	1.8	2.2	1.9	2.3	1.9	2.4	2.0	2.6	2.0
	95	35.0	1.9	1.7	2.0	1.8	2.1	1.8	2.2	1.9	2.2	1.9	2.4	1.9	2.5	2.0
	100	37.5	1.9	1.7	1.9	1.7	2.1	1.8	2.1	1.9	2.2	1.9	2.4	1.9	2.5	1.9
	104	40.0	1.8	1.6	1.9	1.7	2.0	1.7	2.1	1.8	2.2	1.9	2.3	1.9	2.5	1.9
110	43.0	1.8	1.6	1.8	1.6	2.0	1.7	2.1	1.8	2.1	1.8	2.3	1.9	2.4	1.9	
25 (2.8)	68	20.0	2.7	2.1	2.7	2.2	2.9	2.2	3.0	2.3	3.1	2.3	3.2	2.3	3.4	2.3
	73	22.5	2.6	2.1	2.7	2.1	2.9	2.2	3.0	2.3	3.0	2.3	3.2	2.3	3.4	2.3
	77	25.0	2.6	2.0	2.7	2.1	2.8	2.1	2.9	2.2	3.0	2.3	3.2	2.3	3.3	2.2
	82	27.5	2.6	2.0	2.6	2.1	2.8	2.1	2.9	2.2	3.0	2.2	3.1	2.2	3.3	2.2
	86	30.0	2.5	2.0	2.6	2.1	2.8	2.1	2.9	2.2	2.9	2.2	3.1	2.2	3.3	2.2
	91	32.5	2.5	1.9	2.6	2.0	2.7	2.0	2.8	2.2	2.9	2.2	3.1	2.2	3.2	2.2
	95	35.0	2.4	1.9	2.5	2.0	2.7	2.0	2.8	2.1	2.9	2.1	3.0	2.2	3.2	2.1
	100	37.5	2.4	1.9	2.5	1.9	2.6	2.0	2.7	2.1	2.8	2.1	3.0	2.1	3.2	2.1
	104	40.0	2.3	1.8	2.4	1.9	2.6	1.9	2.7	2.1	2.8	2.1	3.0	2.1	3.2	2.1
110	43.0	2.3	1.8	2.4	1.9	2.5	1.9	2.6	2.0	2.7	2.0	2.9	2.1	3.1	2.1	
32 (3.6)	68	20.0	3.4	2.4	3.5	2.5	3.7	2.5	3.9	2.6	4.0	2.6	4.2	2.6	4.4	2.5
	73	22.5	3.4	2.4	3.5	2.4	3.7	2.4	3.8	2.6	3.9	2.6	4.1	2.6	4.3	2.5
	77	25.0	3.3	2.3	3.4	2.4	3.7	2.4	3.8	2.6	3.9	2.5	4.1	2.5	4.3	2.5
	82	27.5	3.3	2.3	3.4	2.4	3.6	2.4	3.7	2.5	3.8	2.5	4.0	2.5	4.3	2.5
	86	30.0	3.2	2.3	3.3	2.3	3.6	2.3	3.7	2.5	3.8	2.5	4.0	2.5	4.2	2.4
	91	32.5	3.2	2.2	3.3	2.3	3.5	2.3	3.6	2.5	3.7	2.5	4.0	2.4	4.2	2.4
	95	35.0	3.1	2.2	3.2	2.2	3.5	2.3	3.6	2.4	3.7	2.4	3.9	2.4	4.1	2.4
	100	37.5	3.0	2.1	3.2	2.2	3.4	2.2	3.5	2.4	3.6	2.4	3.9	2.4	4.1	2.4
	104	40.0	3.0	2.1	3.1	2.2	3.3	2.2	3.5	2.3	3.6	2.4	3.8	2.4	4.1	2.3
110	43.0	2.9	2.0	3.0	2.1	3.3	2.1	3.4	2.3	3.5	2.3	3.7	2.3	4.0	2.3	
40 (4.5)	68	20.0	4.3	3.0	4.4	3.1	4.7	3.1	4.8	3.3	5.0	3.3	5.2	3.2	5.5	3.2
	73	22.5	4.2	3.0	4.4	3.1	4.6	3.1	4.8	3.2	4.9	3.2	5.2	3.2	5.4	3.2
	77	25.0	4.2	2.9	4.3	3.0	4.6	3.0	4.7	3.2	4.8	3.2	5.1	3.2	5.4	3.1
	82	27.5	4.1	2.9	4.2	3.0	4.5	3.0	4.6	3.2	4.8	3.2	5.1	3.1	5.3	3.1
	86	30.0	4.1	2.8	4.2	2.9	4.5	2.9	4.6	3.1	4.7	3.1	5.0	3.1	5.3	3.1
	91	32.5	4.0	2.8	4.1	2.9	4.4	2.9	4.5	3.1	4.7	3.1	4.9	3.1	5.2	3.0
	95	35.0	3.9	2.7	4.0	2.8	4.3	2.9	4.5	3.0	4.6	3.0	4.9	3.0	5.2	3.0
	100	37.5	3.8	2.7	3.9	2.8	4.2	2.8	4.4	3.0	4.5	3.0	4.8	3.0	5.1	3.0
	104	40.0	3.7	2.6	3.9	2.7	4.2	2.8	4.3	2.9	4.5	3.0	4.8	3.0	5.1	3.0
110	43.0	3.6	2.5	3.8	2.7	4.1	2.7	4.2	2.9	4.4	2.9	4.7	2.9	5.0	2.9	
50 (5.6)	68	20.0	5.3	3.8	5.5	3.9	5.8	3.9	6.0	4.2	6.2	4.2	6.5	4.1	6.8	4.1
	73	22.5	5.3	3.7	5.4	3.9	5.8	3.9	5.9	4.1	6.1	4.1	6.4	4.1	6.8	4.0
	77	25.0	5.2	3.7	5.3	3.8	5.7	3.8	5.9	4.1	6.0	4.1	6.4	4.0	6.7	4.0
	82	27.5	5.1	3.6	5.3	3.8	5.6	3.8	5.8	4.0	6.0	4.0	6.3	4.0	6.6	3.9
	86	30.0	5.0	3.6	5.2	3.7	5.5	3.7	5.7	4.0	5.9	4.0	6.2	3.9	6.6	3.9
	91	32.5	4.9	3.5	5.1	3.6	5.5	3.7	5.6	3.9	5.8	3.9	6.1	3.9	6.5	3.9
	95	35.0	4.8	3.5	5.0	3.6	5.4	3.6	5.5	3.8	5.7	3.9	6.1	3.9	6.4	3.8
	100	37.5	4.7	3.4	4.9	3.5	5.3	3.6	5.5	3.8	5.6	3.8	6.0	3.8	6.4	3.8
	104	40.0	4.6	3.3	4.8	3.4	5.2	3.5	5.4	3.7	5.6	3.7	5.9	3.8	6.3	3.7
110	43.0	4.5	3.2	4.7	3.4	5.1	3.4	5.3	3.7	5.5	3.7	5.8	3.7	6.2	3.7	
63 (7.1)	68	20.0	6.7	4.7	7.0	4.8	7.4	4.8	7.6	5.1	7.8	5.1	8.2	5.1	8.7	5.0
	73	22.5	6.7	4.6	6.9	4.8	7.3	4.8	7.5	5.1	7.7	5.0	8.1	5.0	8.6	4.9
	77	25.0	6.6	4.6	6.8	4.7	7.2	4.7	7.4	5.0	7.6	5.0	8.1	4.9	8.5	4.9
	82	27.5	6.5	4.5	6.7	4.6	7.1	4.7	7.3	4.9	7.5	4.9	8.0	4.9	8.4	4.8
	86	30.0	6.4	4.4	6.6	4.6	7.0	4.6	7.2	4.9	7.5	4.9	7.9	4.8	8.3	4.8
	91	32.5	6.3	4.3	6.5	4.5	6.9	4.5	7.1	4.8	7.4	4.8	7.8	4.8	8.2	4.7
	95	35.0	6.1	4.3	6.4	4.4	6.8	4.4	7.0	4.7	7.3	4.7	7.7	4.7	8.2	4.7
	100	37.5	6.0	4.2	6.2	4.3	6.7	4.4	6.9	4.7	7.2	4.7	7.6	4.7	8.1	4.6
	104	40.0	5.9	4.1	6.1	4.2	6.6	4.3	6.8	4.6	7.1	4.6	7.5	4.6	8.0	4.6
110	43.0	5.7	4.0	6.0	4.1	6.4	4.2	6.7	4.5	6.9	4.5	7.4	4.5	7.9	4.5	

kcal/h = kW x 860, Btu/h = kW x 3,412

2. CAPACITY TABLES

2-6b. Heating capacity in combination with PUMY-P100,125,140YHM,VHM

PFFY-P-VKM-E

SHC : Sensible Heat Capacity(kW)

Model size (Rated kW)	Outdoor air temp.		Indoor air temp.			
			59 °FDB	68 °FDB	77 °FDB	81 °FDB
			15.0°CDB	20.0°CDB	25.0°CDB	27.0°CDB
	°FWB	°CWB	SHC	SHC	SHC	SHC
20 (2.5)	-4	-20.0	1.6	1.6	1.5	1.5
	5	-15.0	1.8	1.7	1.6	1.6
	14	-10.0	1.9	1.8	1.8	1.8
	23	-5.0	2.1	2.1	2.0	2.0
	32	0.0	2.4	2.3	2.2	2.2
	37	2.5	2.5	2.4	2.3	2.3
	43	6.0	2.6	2.5	2.5	2.4
	46	7.5	2.7	2.7	2.5	2.4
	50	10.0	2.8	2.8	2.5	2.4
	55	12.5	3.0	2.9	2.5	2.4
60	15.5	3.0	2.9	2.5	2.4	
25 (3.2)	-4	-20.0	2.1	2.0	1.9	1.9
	5	-15.0	2.2	2.1	2.1	2.0
	14	-10.0	2.4	2.3	2.3	2.2
	23	-5.0	2.7	2.7	2.5	2.5
	32	0.0	3.0	2.9	2.8	2.8
	37	2.5	3.2	3.1	3.0	2.9
	43	6.0	3.3	3.2	3.2	3.1
	46	7.5	3.5	3.4	3.2	3.1
	50	10.0	3.6	3.5	3.2	3.1
	55	12.5	3.8	3.7	3.2	3.1
60	15.5	3.9	3.7	3.2	3.1	
32 (4.0)	-4	-20.0	2.6	2.5	2.4	2.4
	5	-15.0	2.8	2.7	2.6	2.6
	14	-10.0	3.0	2.9	2.8	2.8
	23	-5.0	3.4	3.3	3.2	3.1
	32	0.0	3.8	3.7	3.5	3.5
	37	2.5	4.0	3.8	3.7	3.7
	43	6.0	4.1	4.0	4.0	3.9
	46	7.5	4.3	4.2	4.0	3.9
	50	10.0	4.5	4.4	4.0	3.9
	55	12.5	4.7	4.6	4.0	3.9
60	15.5	4.8	4.6	4.0	3.9	
40 (5.0)	-4	-20.0	3.3	3.2	3.0	3.0
	5	-15.0	3.5	3.4	3.3	3.2
	14	-10.0	3.8	3.7	3.6	3.5
	23	-5.0	4.3	4.2	4.0	3.9
	32	0.0	4.7	4.6	4.4	4.4
	37	2.5	5.0	4.8	4.7	4.6
	43	6.0	5.1	5.0	5.0	4.9
	46	7.5	5.4	5.3	5.0	4.9
	50	10.0	5.7	5.5	5.0	4.9
	55	12.5	5.9	5.8	5.0	4.9
60	15.5	6.1	5.8	5.0	4.9	

2. CAPACITY TABLES

2-6b. Heating capacity in combination with PUMY-P100,125,140YHM,VHM

PFFY-P-VLEM-E,VLRM-E

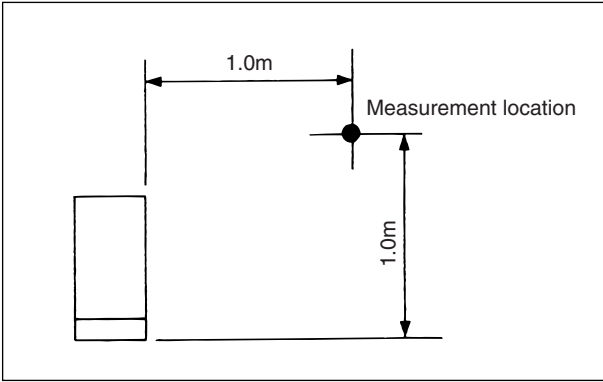
SHC : Sensible Heat Capacity(kW)

Model size (Rated kW)	Outdoor air temp.		Indoor air temp.			
			59 °FDB 15.0°CDB	68 °FDB 20.0°CDB	77 °FDB 25.0°CDB	81 °FDB 27.0°CDB
	°FWB	°CWB	SHC	SHC	SHC	SHC
20 (2.5)	-4	-20.0	1.6	1.6	1.5	1.5
	5	-15.0	1.8	1.7	1.6	1.6
	14	-10.0	1.9	1.8	1.8	1.8
	23	-5.0	2.1	2.1	2.0	2.0
	32	0.0	2.4	2.3	2.2	2.2
	37	2.5	2.5	2.4	2.3	2.3
	43	6.0	2.6	2.5	2.5	2.4
	46	7.5	2.7	2.7	2.5	2.4
	50	10.0	2.8	2.8	2.5	2.4
	55	12.5	3.0	2.9	2.5	2.4
	60	15.5	3.0	2.9	2.5	2.4
25 (3.2)	-4	-20.0	2.1	2.0	1.9	1.9
	5	-15.0	2.2	2.1	2.1	2.0
	14	-10.0	2.4	2.3	2.3	2.2
	23	-5.0	2.7	2.7	2.5	2.5
	32	0.0	3.0	2.9	2.8	2.8
	37	2.5	3.2	3.1	3.0	2.9
	43	6.0	3.3	3.2	3.2	3.1
	46	7.5	3.5	3.4	3.2	3.1
	50	10.0	3.6	3.5	3.2	3.1
	55	12.5	3.8	3.7	3.2	3.1
	60	15.5	3.9	3.7	3.2	3.1
32 (4.0)	-4	-20.0	2.6	2.5	2.4	2.4
	5	-15.0	2.8	2.7	2.6	2.6
	14	-10.0	3.0	2.9	2.8	2.8
	23	-5.0	3.4	3.3	3.2	3.1
	32	0.0	3.8	3.7	3.5	3.5
	37	2.5	4.0	3.8	3.7	3.7
	43	6.0	4.1	4.0	4.0	3.9
	46	7.5	4.3	4.2	4.0	3.9
	50	10.0	4.5	4.4	4.0	3.9
	55	12.5	4.7	4.6	4.0	3.9
	60	15.5	4.8	4.6	4.0	3.9
40 (5.0)	-4	-20.0	3.3	3.2	3.0	3.0
	5	-15.0	3.5	3.4	3.3	3.2
	14	-10.0	3.8	3.7	3.6	3.5
	23	-5.0	4.3	4.2	4.0	3.9
	32	0.0	4.7	4.6	4.4	4.4
	37	2.5	5.0	4.8	4.7	4.6
	43	6.0	5.1	5.0	5.0	4.9
	46	7.5	5.4	5.3	5.0	4.9
	50	10.0	5.7	5.5	5.0	4.9
	55	12.5	5.9	5.8	5.0	4.9
	60	15.5	6.1	5.8	5.0	4.9
50 (6.3)	-4	-20.0	4.1	4.0	3.8	3.7
	5	-15.0	4.4	4.2	4.1	4.0
	14	-10.0	4.7	4.6	4.5	4.4
	23	-5.0	5.4	5.2	5.0	4.9
	32	0.0	5.9	5.8	5.5	5.5
	37	2.5	6.2	6.0	5.9	5.8
	43	6.0	6.4	6.3	6.2	6.1
	46	7.5	6.8	6.7	6.2	6.1
	50	10.0	7.1	6.9	6.2	6.1
	55	12.5	7.4	7.2	6.2	6.1
	60	15.5	7.6	7.2	6.2	6.1
63 (8.0)	-4	-20.0	5.2	5.0	4.8	4.7
	5	-15.0	5.6	5.4	5.2	5.1
	14	-10.0	6.0	5.8	5.7	5.6
	23	-5.0	6.8	6.6	6.3	6.2
	32	0.0	7.5	7.4	7.0	7.0
	37	2.5	7.9	7.7	7.4	7.4
	43	6.0	8.2	8.0	7.9	7.8
	46	7.5	8.6	8.5	7.9	7.8
	50	10.0	9.0	8.8	7.9	7.8
	55	12.5	9.4	9.2	7.9	7.8
	60	15.5	9.7	9.2	7.9	7.8

3. SOUND LEVELS

3-1. Sound levels

PFFY-P-VKM-E,VLEM-E,VLRM-E



* Measured in anechoic room.

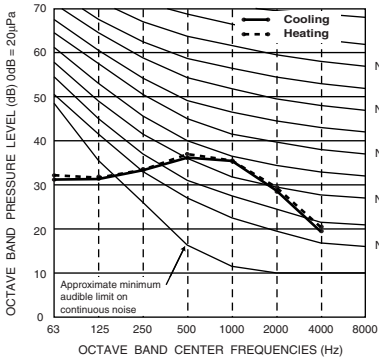
Sound level at anechoic room : Low-High

	Sound level dB (A)
PFFY-P20VKM-E	27-31-34-37
PFFY-P25VKM-E	28-32-35-38
PFFY-P32VKM-E	28-32-35-38
PFFY-P40VKM-E	35-38-42-44
PFFY-P20VLEM-E	34-40
PFFY-P20VLRM-E	
PFFY-P25VLEM-E	
PFFY-P25VLRM-E	35-40
PFFY-P32VLEM-E	
PFFY-P32VLRM-E	
PFFY-P40VLEM-E	38-43
PFFY-P40VLRM-E	
PFFY-P50VLEM-E	
PFFY-P50VLRM-E	
PFFY-P63VLEM-E	40-46
PFFY-P63VLRM-E	

3-2. NC curves

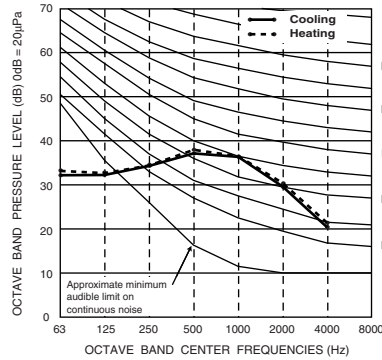
PFFY-P20VKM-E

External static pressure : 0Pa
Power source : 220,230,240V, 50Hz



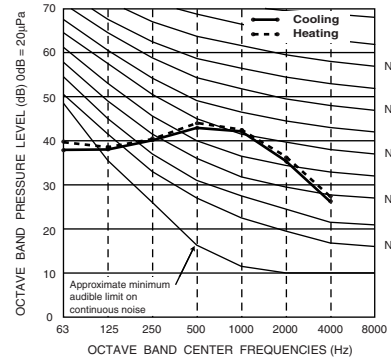
PFFY-P25,32VKM-E

External static pressure : 0Pa
Power source : 220,230,240V, 50Hz



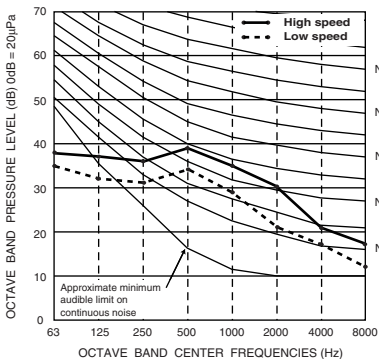
PFFY-P40VKM-E

External static pressure : 0Pa
Power source : 220,230,240V, 50Hz



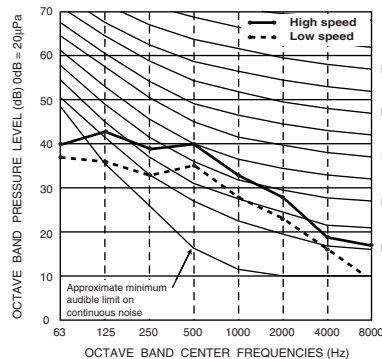
PFFY-P20,25VLEM-E,VLRM-E

External static pressure : 0Pa
Power source : 220,230,240V, 50Hz / 208,220,230V, 60Hz



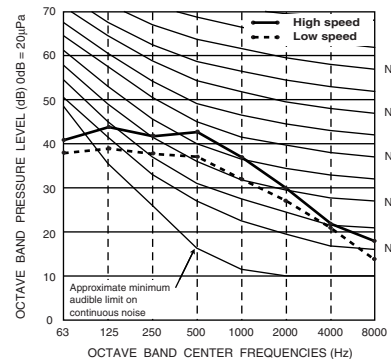
PFFY-P32VLEM-E,VLRM-E

External static pressure : 0Pa
Power source : 220,230,240V, 50Hz / 208,220,230V, 60Hz



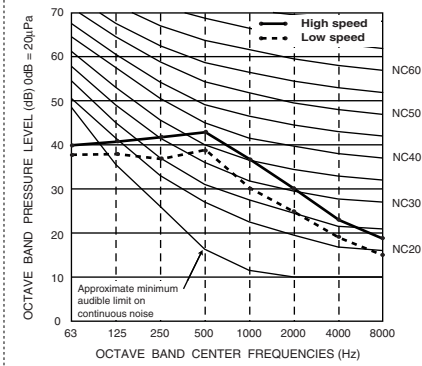
PFFY-P40VLEM-E,VLRM-E

External static pressure : 0Pa
Power source : 220,230,240V, 50Hz / 208,220,230V, 60Hz

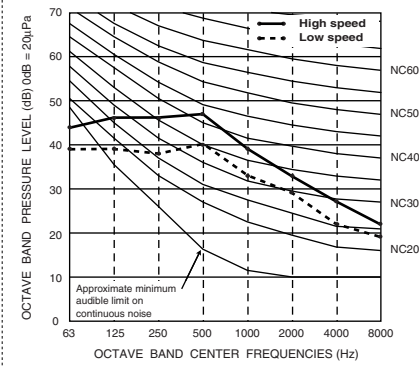


3-2. NC curves

PFFY-P50VLEM-E, VLRM-E
 External static pressure : 0Pa
 Power source : 220,230,240V, 50Hz / 208,220,230V, 60Hz



PFFY-P63VLEM-E, VLRM-E
 External static pressure : 0Pa
 Power source : 220,230,240V, 50Hz / 208,220,230V, 60Hz



- A
- B
- C
- D
- E
- F
- G
- H
- I
- J**
- V_a
- V_a
- BC

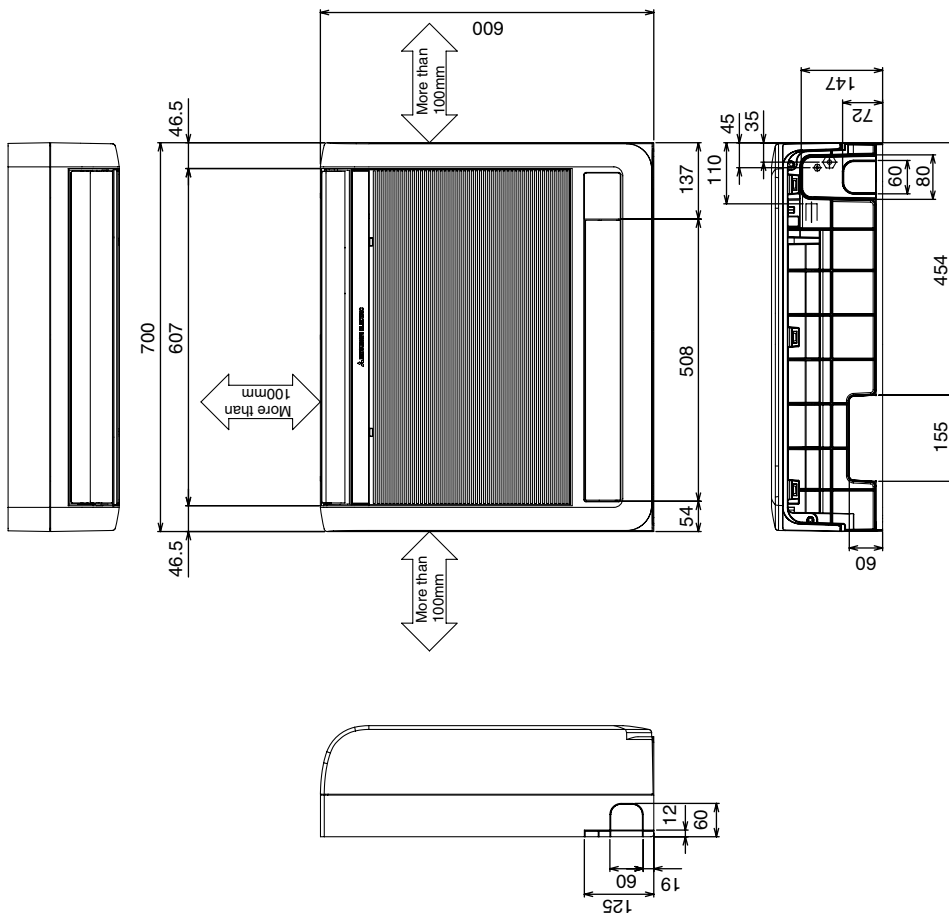
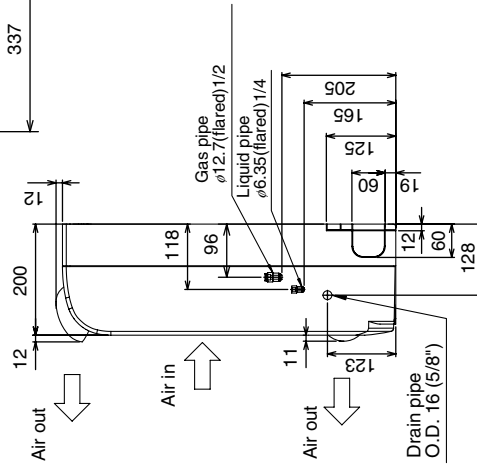
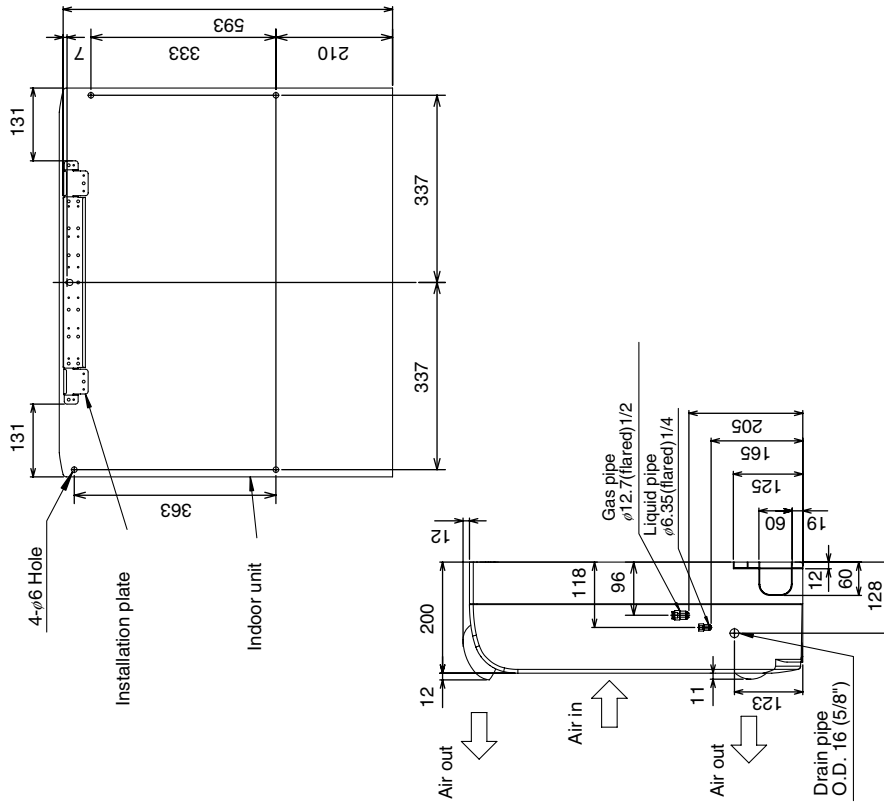
4. EXTERNAL DIMENSIONS

R410A Data G3

PFFY-P20,25,32,40VKM-E

Drw. : IU-BK01-B517

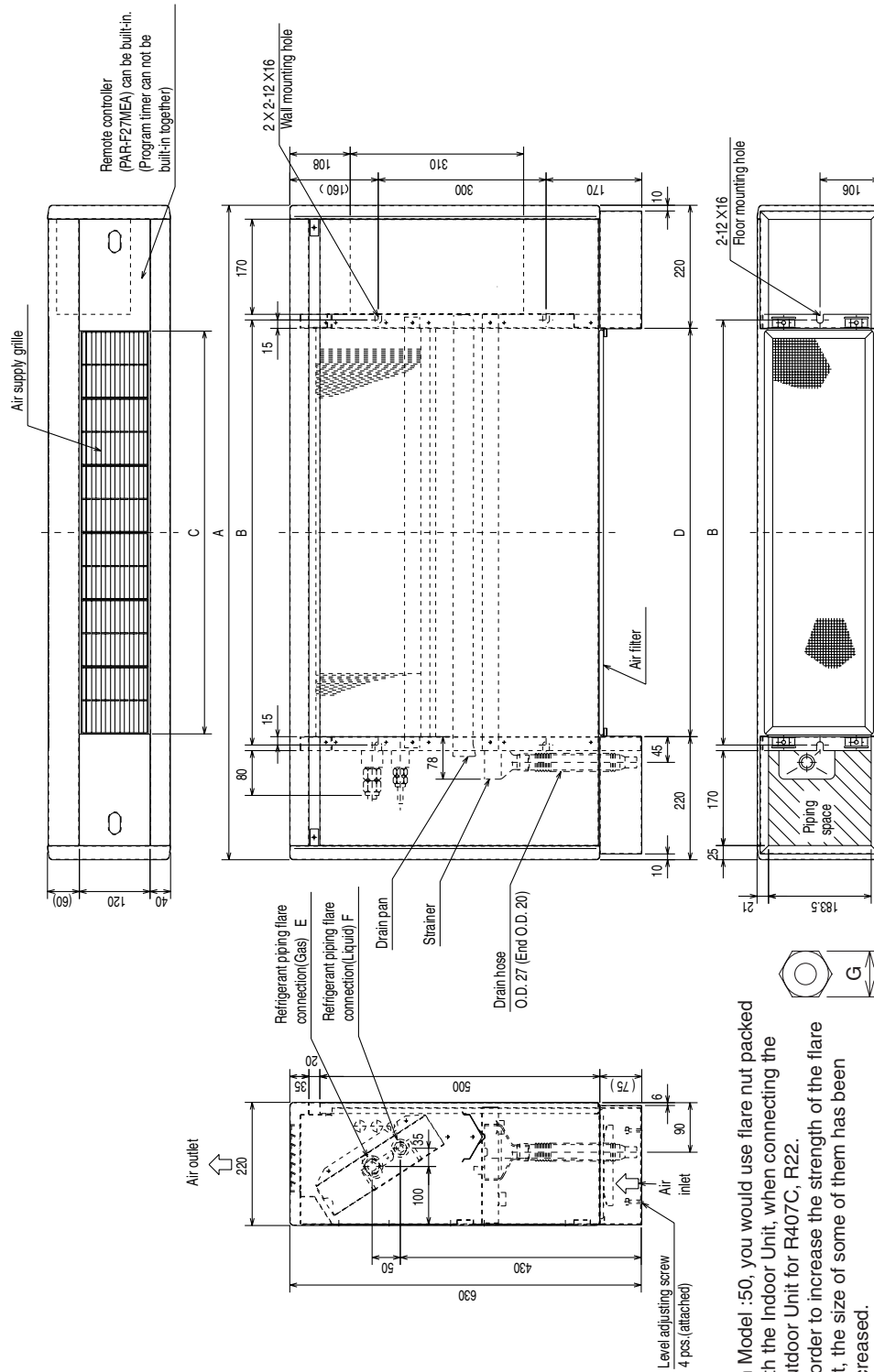
Unit : mm



4. EXTERNAL DIMENSIONS

PFFY-P20,25,32,40,50,63VLEM-E

Drw. : IU-W65-3950
Unit : mm



Note: 1. On Model :50, you would use flare nut packed with the Indoor Unit, when connecting the Outdoor Unit for R407C, R22.
2. In order to increase the strength of the flare nut, the size of some of them has been increased.

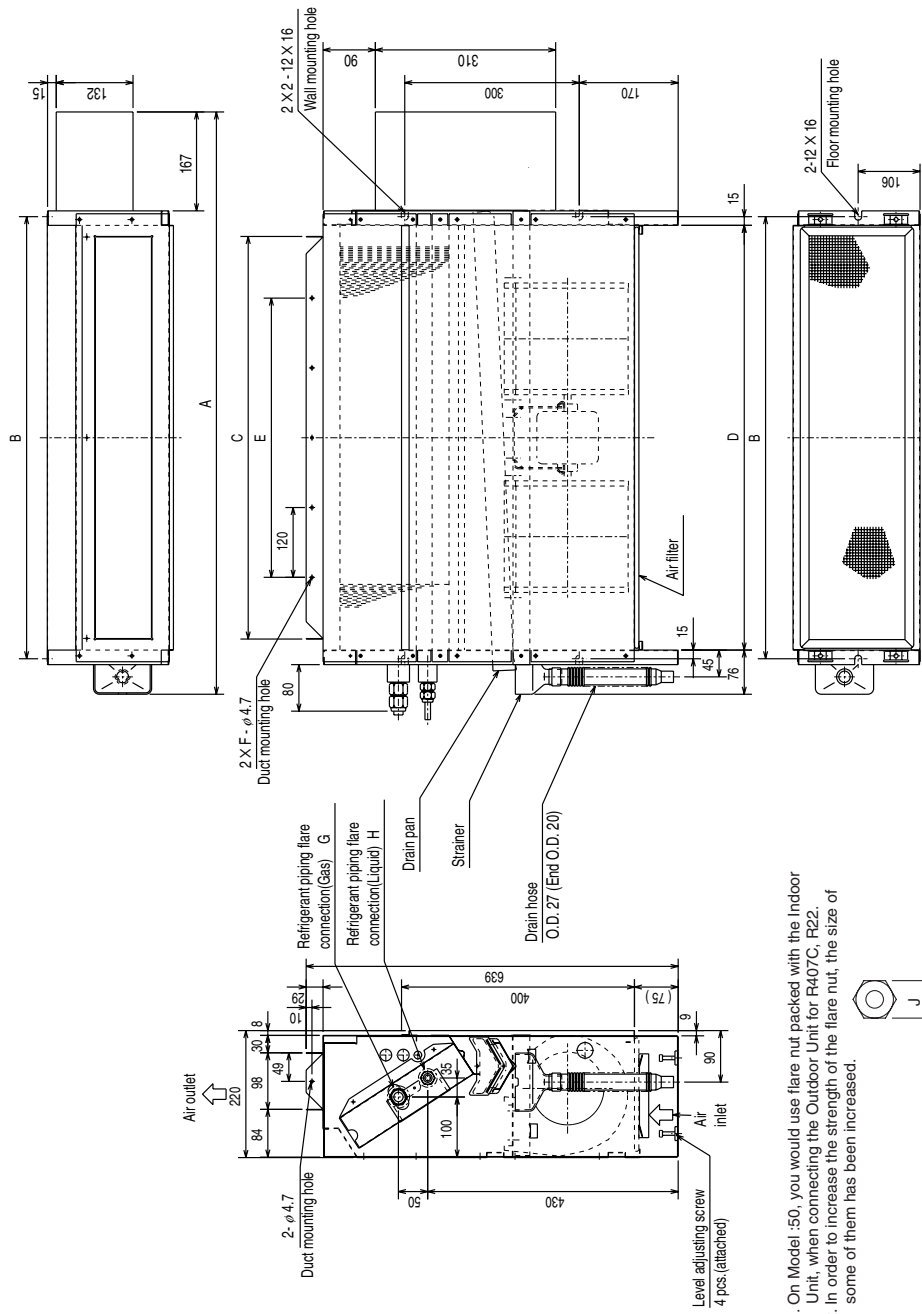
Dimensions

Model	A	B	C	D	E (Gas)	F (Liquid)	G (Liquid)	G (Gas)
PFFY-P20VLEM-E	1050	640	600	610	ø12.7	ø6.35	17	27
PFFY-P25VLEM-E	1050	640	600	610	ø12.7	ø6.35	17	27
PFFY-P32VLEM-E	1170	760	720	730	ø12.7	ø6.35	17	27
PFFY-P40VLEM-E	1170	760	720	730	ø12.7	ø6.35	17	27
PFFY-P50VLEM-E	1410	1000	960	970	*1 ø12.7	*1 ø6.35	*1 22	*1 29
PFFY-P63VLEM-E	1410	1000	960	970	*2 ø15.88	*2 ø9.52	*2 22	*2 29
					ø15.88	ø9.52	22	29

*1:R410A outdoor unit
*2:R407C,R22 outdoor unit

PFFY-P20,25,32,40,50,63VLRM-E

Drw. : IU-W65-3951
Unit : mm



Note: 1. On Model :50, you would use flare nut packed with the Indoor Unit, when connecting the Outdoor Unit for R407C, R22.
2. In order to increase the strength of the flare nut, the size of some of them has been increased.



*:1:R410A outdoor unit
*:2:R407C, R22 outdoor unit

Model	A	B	C	D	E	F	G (Gas)	H (Liquid)	J (Liquid)	J (Gas)
PFFY-P20VLRM-E	886	640	572	610	360	4	ϕ 12.7	ϕ 6.35	17	27
PFFY-P25VLRM-E	886	640	572	610	360	4	ϕ 12.7	ϕ 6.35	17	27
PFFY-P32VLRM-E	1006	760	692	730	480	5	ϕ 12.7	ϕ 6.35	17	27
PFFY-P40VLRM-E	1006	760	692	730	480	5	ϕ 12.7	ϕ 6.35	17	27
PFFY-P50VLRM-E	1246	1000	932	970	720	7	*:1 ϕ 12.7	*:1 ϕ 6.35	*:1 22	*:1 29
PFFY-P63VLRM-E	1246	1000	932	970	720	7	*:2 ϕ 15.88	*:2 ϕ 9.52	*:2 22	*:2 29
							ϕ 15.88	ϕ 9.52	22	29

PFFY-P20,25,32,40VKM-E

Draw. : IU-RG79-V367

[LEGEND]

SYMBOL	NAME	SYMBOL	NAME	SYMBOL	NAME
I. B	INDOOR CONTROLLER BOARD	MF1	FAN MOTOR (UPPER)	TH23	PIPE TEMP. DETECTION/GAS (0°C/15kΩ, 25°C/5.4kΩ)
CN32	CONNECTOR	MF2	FAN MOTOR (LOWER)	A. B	ADDRESS BOARD
CN51		MV1	VANE MOTOR	SW1	SWITCH
CN52		MV2	DAMPER MOTOR	SW11	MODE SELECTION
SW2	SWITCH	LS	DAMPER LIMIT SWITCH (CLOSE)	SW12	ADDRESS SETTING 1ST DIGIT
SW3		LEV	LINEAR EXPANSION VALVE	SW14	ADDRESS SETTING 2ND DIGIT
SW4		TB2	TERMINAL BLOCK	SWC	CONNECTION NO.
ZNR	VARISTOR	TB5	TERMINAL BLOCK		AIR OUTLET SELECTION
FUSE	FUSE (T6.3AL250V)	TH21	THERMISTOR		
LED1	POWER SUPPLY (I.B)		ROOM TEMP. DETECTION (0°C/15kΩ, 25°C/5.4kΩ)		
LED2	POWER SUPPLY (I.B)	TH22	PIPE TEMP. DETECTION/LIQUID (0°C/15kΩ, 25°C/5.4kΩ)		

NOTES

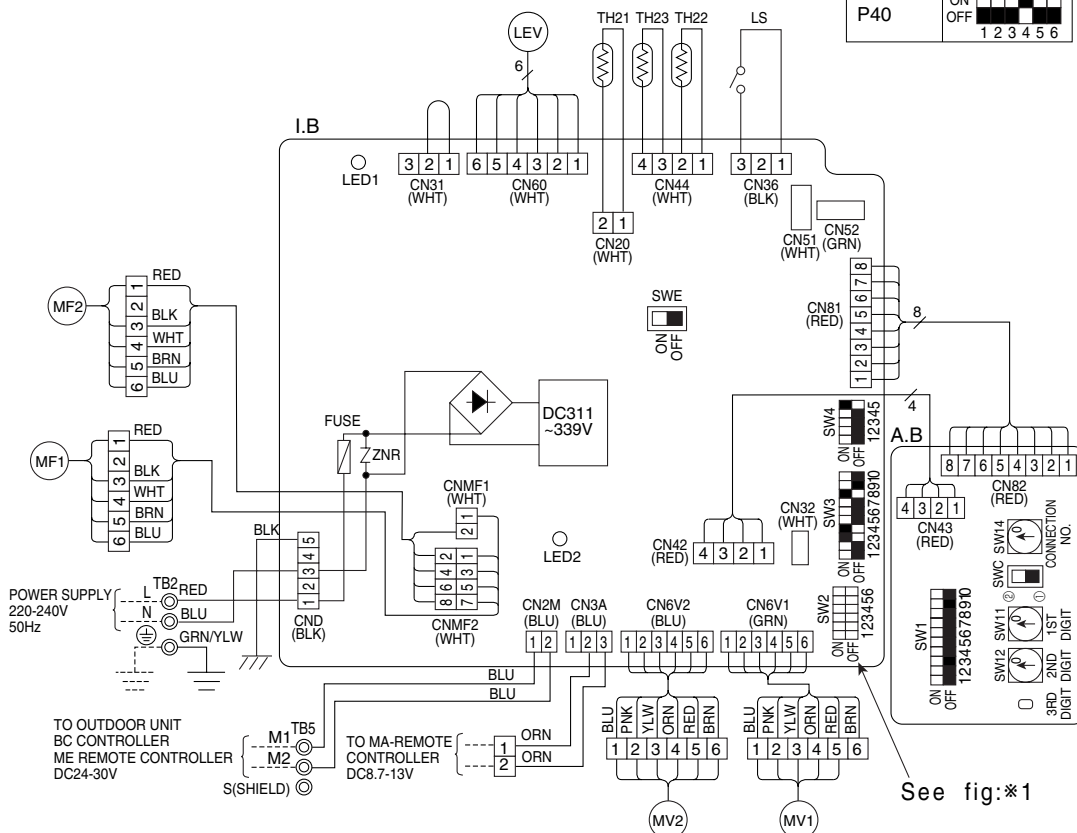
1. At servicing for outdoor unit, always follow the wiring diagram of outdoor unit.
2. In case of connecting MA-Remote controller, please connect MA remote controller cable in an accessory to the connector [1|2]. (Remote controller wire is non-polar.)
3. In case of using M-NET, please connect to TB5. (Transmission line is non-polar.)
4. Symbol [S] of TB5 is the shield wire connection.
5. Symbols used in wiring diagram above are, ⊙: terminal block, □□□□: connector.
6. The setting of the SW2 dip switches differs in the capacity for the detail, refer to the fig:*1.

LED on indoor board for service

MARK	MEANING	FUNCTION
LED1	Main power supply	Main power supply (Indoor unit:220-240V) power on → lamp is lit
LED2	Power supply for MA-Remote controller	Power supply for MA-remote controller on → lamp is lit

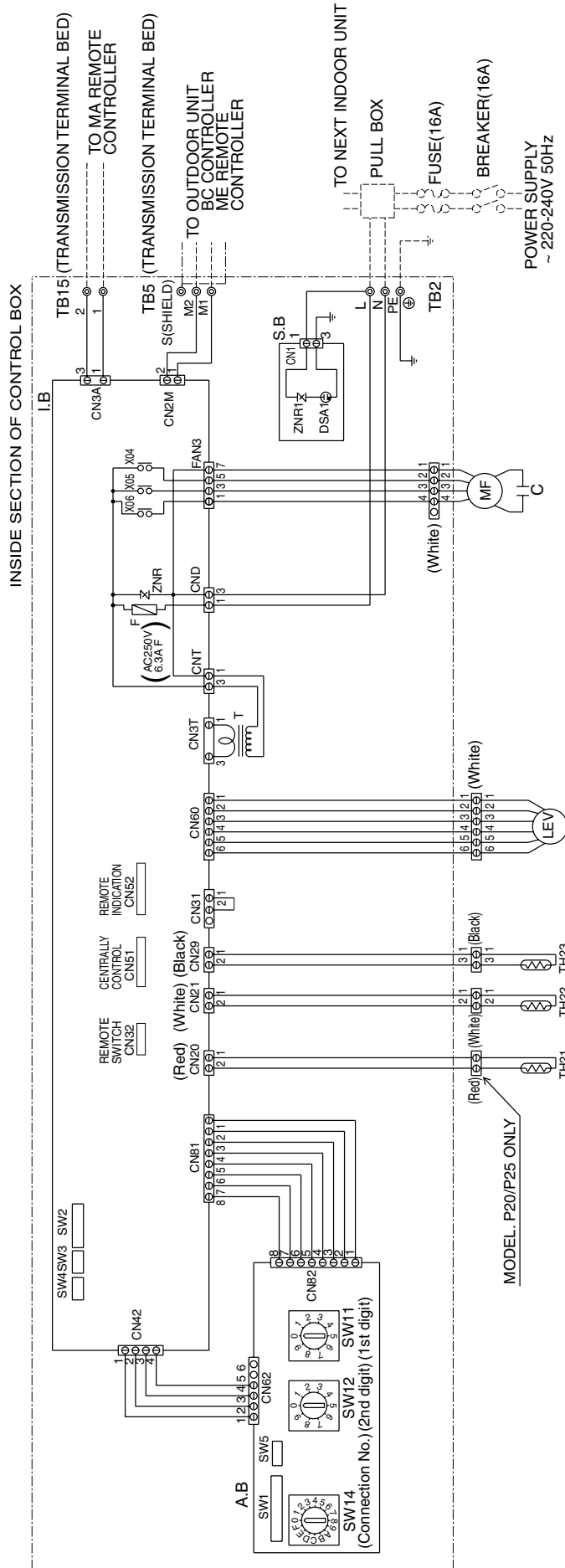
<fig:*1>

MODELS	SW2
P20	ON OFF 1 2 3 4 5 6
P25	ON OFF 1 2 3 4 5 6
P32	ON OFF 1 2 3 4 5 6
P40	ON OFF 1 2 3 4 5 6



PFFY-P20,25,32,40,50,63VLEM-E, VLRM-E

Draw. : IU-W65-3960



*:Capacitor
 MODELS 20/25/32/40 1.5μF
 MODEL 50 2.0μF
 MODEL 63 2.5μF

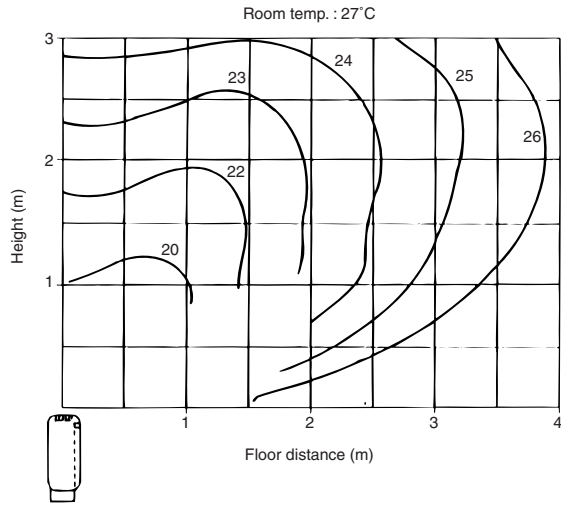
SYMBOL EXPLANATION

SYMBOL	NAME	SYMBOL	NAME
MF	Fan motor	TH 2 2	Thermistor (piping temp.detection/liquid)
C	*:Capacitor (for MF)	TH 2 3	Thermistor (piping temp.detection/gas)
I . B	Indoor controller board	SW 1 1 (A . B)	Switch (1st digit address set)
A . B	Address board	SW 1 2 (A . B)	Switch (2nd digit address set)
TB 2	Power source terminal bed	SW 1 4 (A . B)	Switch (connection No.set)
TB 5	Transmission terminal bed	SW 1 (A . B)	Switch(for mode selection)
TB 1 5	Transmission terminal bed	SW 2 (I . B)	Switch(for capacity code)
F	Fuse AC250V 6.3A F	SW 3 (I . B)	Switch(for mode selection)
T	Transformer	SW 4 (I . B)	Switch(for model selection)
LEV	Electronic linear expan. valve	SW 5 (A . B)	Switch(for voltage selection)
S . B	Surge absorber board	X 0 4 ~ 0 6	Aux. relay
TH 2 1	Thermistor (inlet temp.detection)		

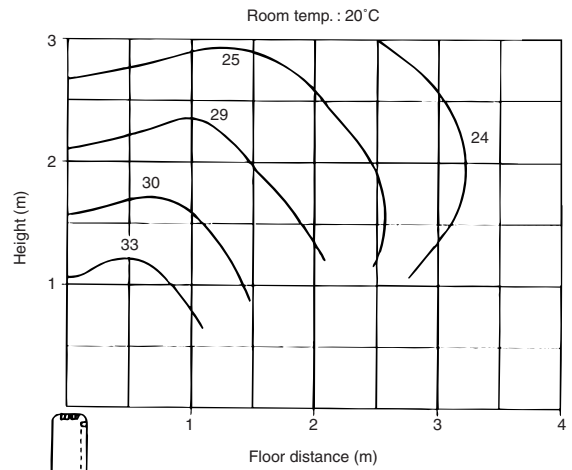
6-1. Temperature distributions

PFFY-P-VLEM-E, VLRM-E

<Cooling mode>

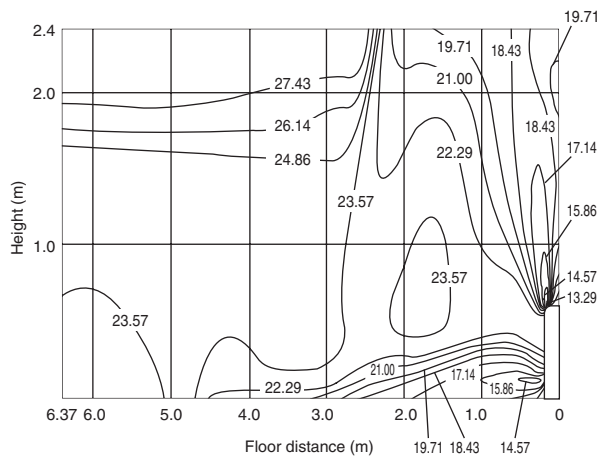


<Heating mode>

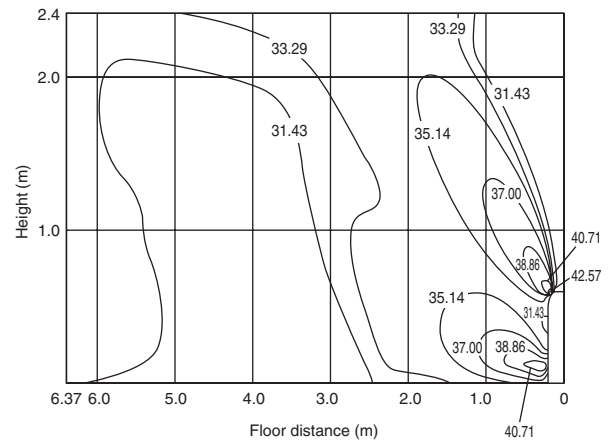


PFFY-P-VKM-E

<Cooling mode>



<Heating mode>

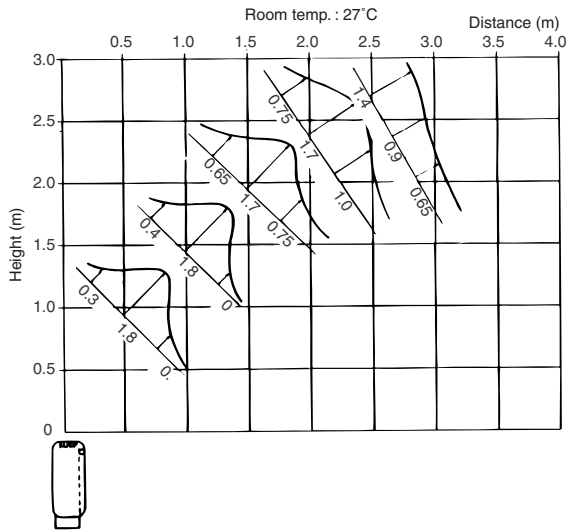


Note : These figures show typical temperature distributions in the conditions above. In the actual installation, they may differ from these figures under the influence of air temperature conditions, ceiling height, cooling/heating load, obstacles, etc.

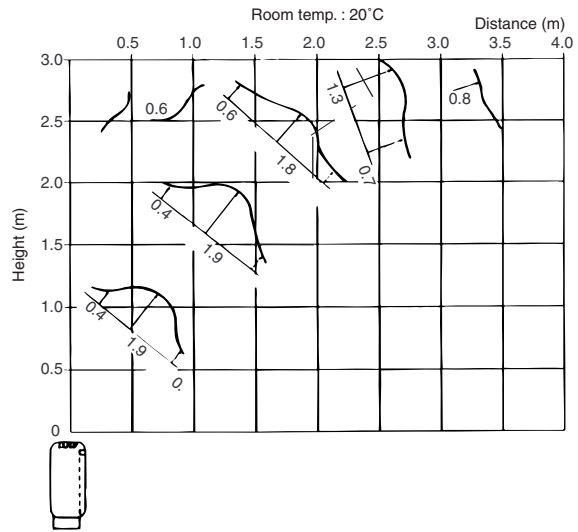
6-2. Airflow distributions

PFFY-P-VLEM-E,VLRM-E

<Cooling mode>

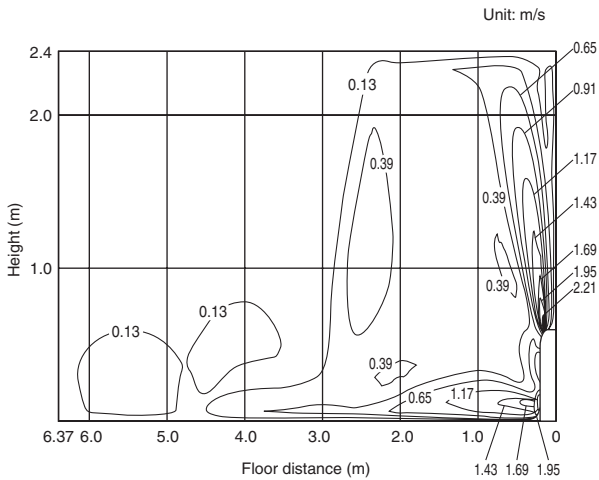


<Heating mode>

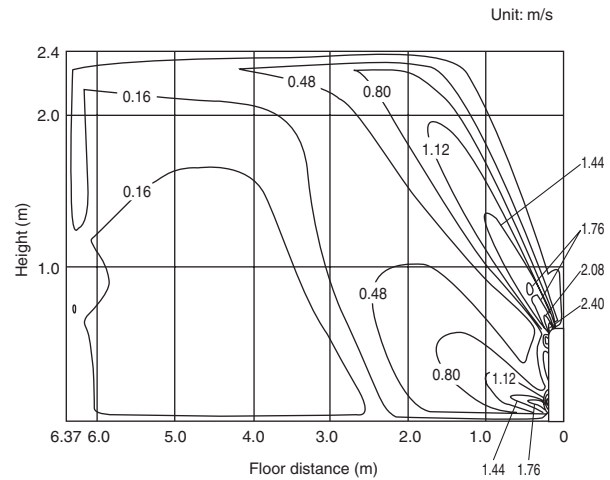


PFFY-P-VKM-E

<Cooling mode>



<Heating mode>



Note : These figures show typical airflow distributions in the conditions above. In the actual installation, they may differ from these figures under the influence of air temperature conditions, ceiling height, cooling/heating load, obstacles, etc.