



PFFY-P32VKM-E

Indoor Unit

Floor Standing Exposed

The PFFY-P-VKM-E series is extremely versatile and is designed for wall attached installation at floor level. The auto swing vane provides a more natural and comfortable airflow throughout the room and the lightweight, compact design makes installation easy.

- **Pure white, slimline design**
- **Upper and lower vanes for optimum, powerful and efficient air distribution**



Pictures not to scale

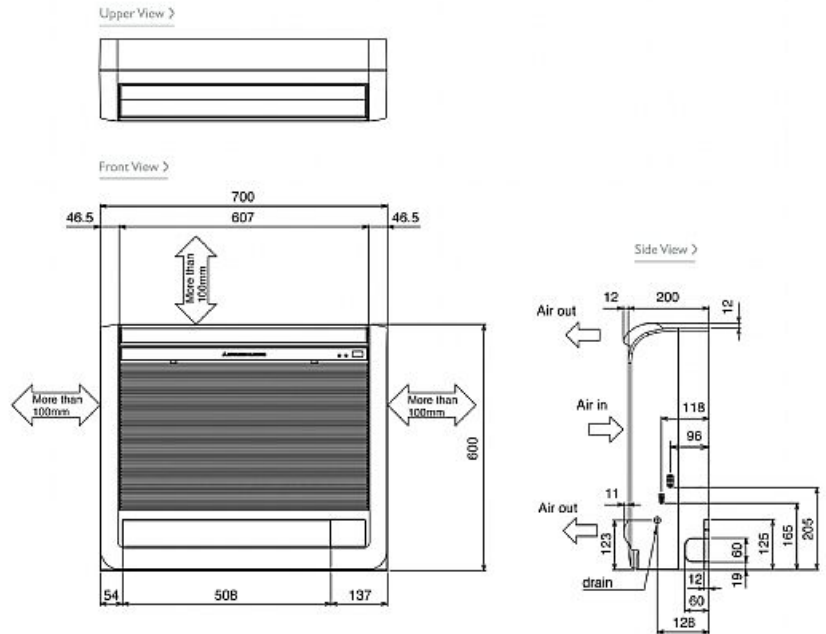


Product Details

PFFY-P32VKM-E	
Capacity (kW):	
Heating (Nominal)	4.0
Cooling (Nominal)	3.6
Heating (UK)	3.7
Cooling (UK)	3.4
SHF R410A (UK)	0.71
Power Input (kW) Heating (Nominal)	0.025
Power Input (kW) Cooling (Nominal)	0.025
Airflow (m ³ /min) - Lo-Mi1-Mi2-Hi	6.1-7-8-9.1
Noise (dBA) - Lo-Mi1-Mi2-Hi	28-32-35-38
Width - mm	700
Depth - mm	200
Height - mm	600
Weight - kg	15
Electrical Supply	220-240v, 50Hz
Phase	Single
Mains Cable No. Cores	3
Running Current (A) - Heating	0.2
Running Current (A) - Cooling	0.2
Fuse Rating (BS88) - HRC (A)	6

Dimensions

PFFY-P32VKM-E



Telephone: 01707 282880

Email: air.conditioning@meuk.mee.com Website: <http://www.mitsubishielectric.co.uk/aircon>

Mitsubishi Electric reserves the right to make any variation in technical specification to the equipment described, or to withdraw or replace products without prior notification or public announcement.

Tel:
Fax:

