

SERVICE PARTS LIST FOR MITSUBISHI ELECTRIC PACKAGED AIR-CONDITIONERS

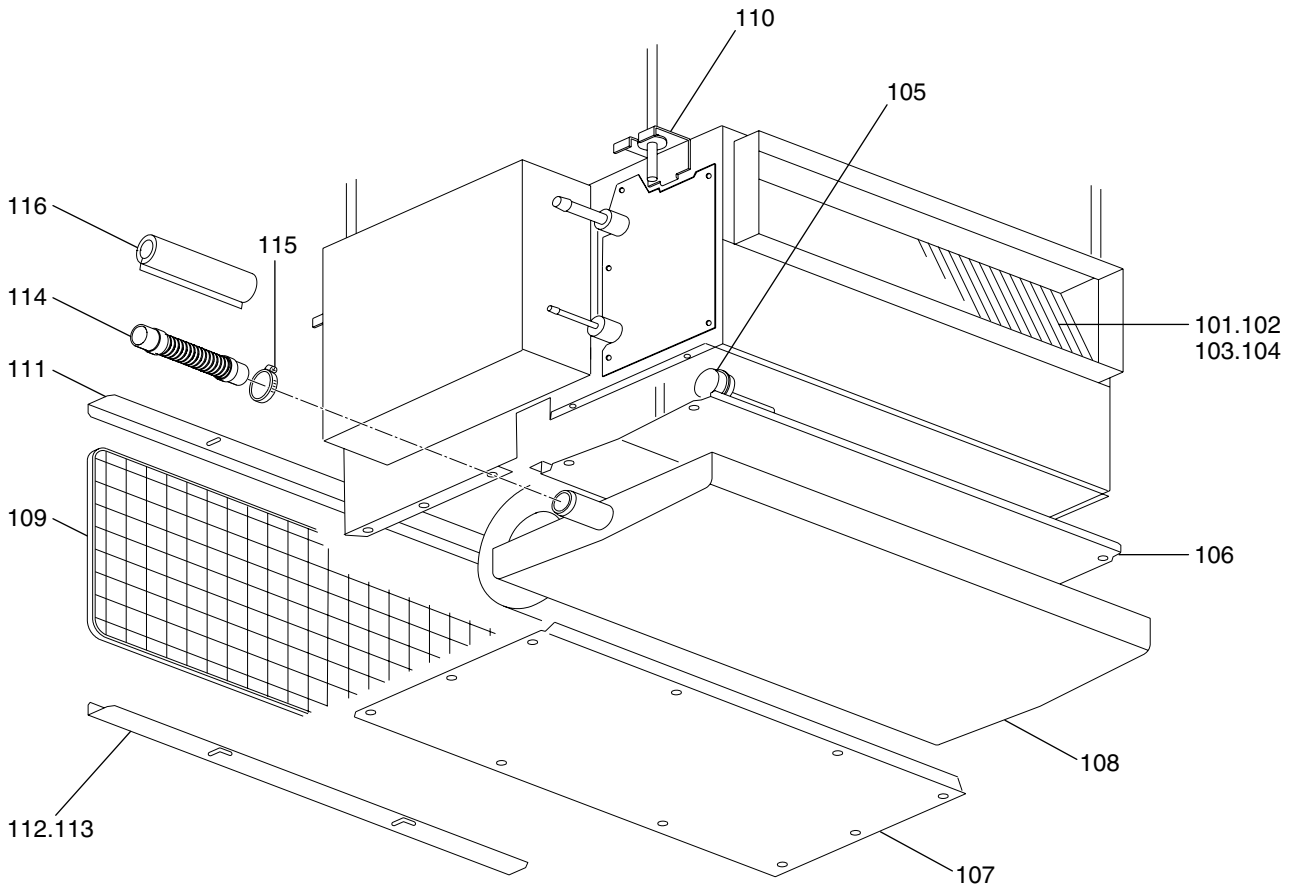
Series : PEFY-P•VMR-E-L,-R

For use with the R410A

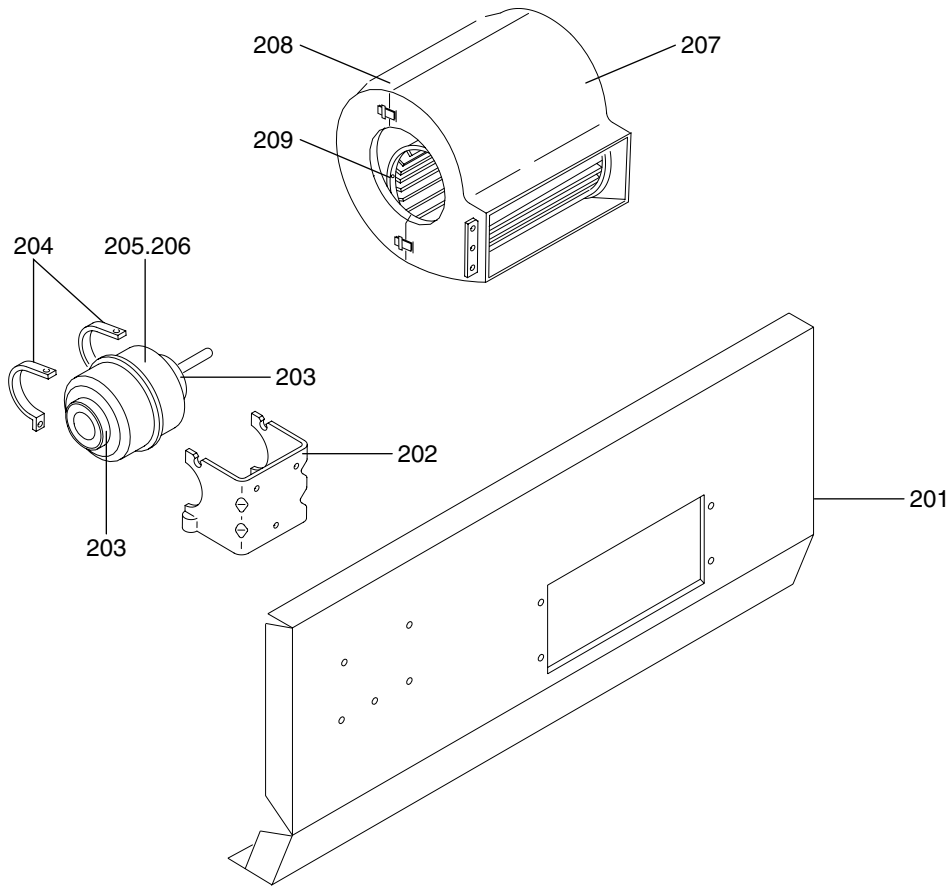
July 2006

BWE06110

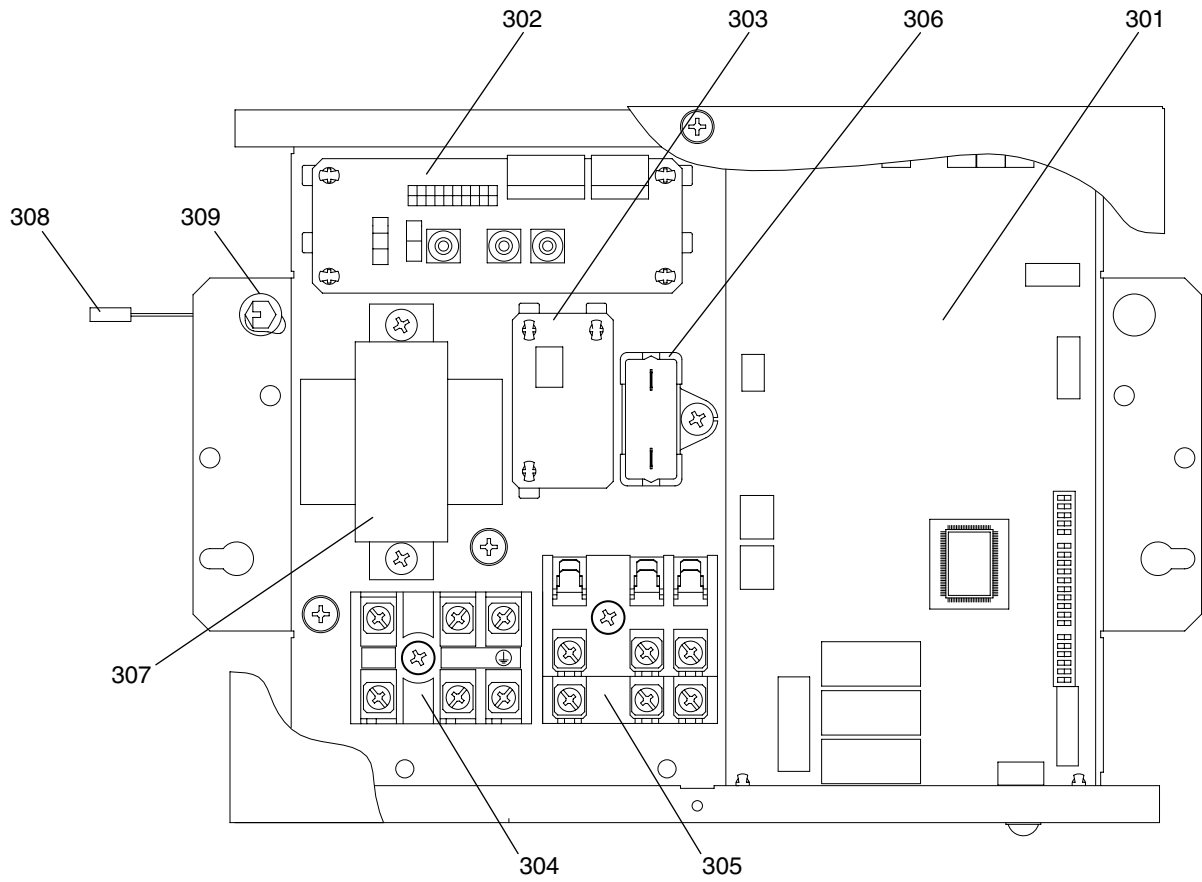
INDEX
PEFY-P20VMR-E-L
PEFY-P20VMR-E-R
PEFY-P25VMR-E-L
PEFY-P25VMR-E-R
PEFY-P32VMR-E-L
PEFY-P32VMR-E-R



No.	Part No.	RoHS Compliant : G		Spec.	PEFY-P20VMR-E-L	PEFY-P20VMR-E-R	PEFY-P25VMR-E-L	PEFY-P25VMR-E-R	PEFY-P32VMR-E-L	PEFY-P32VMR-E-R	Dwg. No.	Price	Revision History
		Part Name											
101	R61 023 480	G	Heat exchanger assy		1	1	1	1	1	1	KB00B237G01		
102	R61 024 480	G	Heat exchanger assy			1	1	1	1	1	KB00B237G02		
103	R63 902 936	G	Thermistor (Gus)	NTH3A23-4 <TH23>	1	1	1	1	1	1	P425491X01		
104	R63 901 936	G	Thermistor (Liquid)	NTH3A08-5 <TH22>	1	1	1	1	1	1	P425484X01		
105	R63 S38 401	G	Linear expansion valve	EDM4 XH <LEV>	1	1	1	1	1	1	P632407X01		
106	R63 8A6 661	G	Bottom plalte A		1	1	1	1	1	1	W906338G02		
107	R63 8A7 661	G	Bottom plalte B		1	1	1	1	1	1	W656524H02		
108	R63 8A6 529	G	Drain pan		1	1	1	1	1	1	W656533G02		
109	R63 8A6 501	G	Filter		1	1	1	1	1	1	P781272X01		
110	R63 151 326	G	Fixing hanger		4	4	4	4	4	4	W398770H02		
111	R63 8A6 508	G	Filter support		1	1	1	1	1	1	W909622H01		
112	R63 8A6 510	G	Filter support		1		1		1		W656523H03		
113	R63 8A7 508	G	Filter support			1		1		1	W656523H04		
114	R63 8A6 526	G	Drain hose		1	1	1	1	1	1	P839026X01		
115	R63 513 045	G	Hose band		1	1	1	1	1	1	P694051X01		
116	R63 8A6 601	G	Insulation pipe		1	1	1	1	1	1	W899277G03		



No.	Part No.	RoHS Compliant : G		Spec.	PEFY-P20VMR-EL	PEFY-P20VMR-ER	PEFY-P25VMR-EL	PEFY-P25VMR-ER	PEFY-P32VMR-EL	PEFY-P32VMR-ER	Dwg. No.	Price	Revision History
		Part Name											
201	R61 004 037	G	Fan stand		1	1	1	1	1	1	KB02C833G01		
202	R63 E38 130	G	Motor support		1	1	1	1	1	1	W260434H02		
203	R61 220 044	G	Rubber bush		2	2	2	2	2	2	W837244H01		
204	R63 652 131	G	Fixing plate		2	2	2	2	2	2	W353715H01		
205	R61 008 220	G	Motor	UF4Q-C21D5P	1	1	1	1			P780079X01		
206	R61 009 220	G	Motor	UF4Q-C21C5P					1	1	P780080X01		
207	R63 E40 109	G	Fan casing		1	1	1	1	1	1	W126411G01		
208	R63 E41 109	G	Fan casing		1	1	1	1	1	1	W126412G01		
209	R63 487 220	G	Sirocco fan		1	1	1	1	1	1	W122873G09		



No.	Part No.	RoHS Compliant : G		Spec.	PEFY-P20VMR-E-L	PEFY-P20VMR-E-R	PEFY-P25VMR-E-L	PEFY-P25VMR-E-R	PEFY-P32VMR-E-L	PEFY-P32VMR-E-R	Dwg. No.	Price	Revision History
		Part Name											
301	R61 005 280	G	Board assy		1	1	1	1	1	1	PP00204B37		
302	R61 006 280	G	Board assy		1	1	1	1	1	1	PP00205B07		
303	R63 Y30 321	G	Board assy	FPDSA NS	1	1	1	1	1	1	PP00206B01		
304	R63 Y08 715	G	Terminal block		1	1	1	1	1	1	P436157X01		
305	R63 336 246	G	Terminal block		1	1	1	1	1	1	P436114X03		
306	R63 Y14 252	G	Capacitor		1	1	1	1	1	1	P412234X01		
307	R61 Y28 260	G	Transformer	AC240V/23.5V-0.9A	1	1	1	1	1	1	P715396X01		
308	R63 373 202	G	Thermistor		1	1	1	1	1	1	P425455X01		
309	R63 729 104	G	Cord bush		1	1	1	1	1	1	P459023X01		

