

# **SERVICE PARTS LIST FOR MITSUBISHI ELECTRIC PACKAGED AIR-CONDITIONERS**

**Series PEFY-P-VML-A**

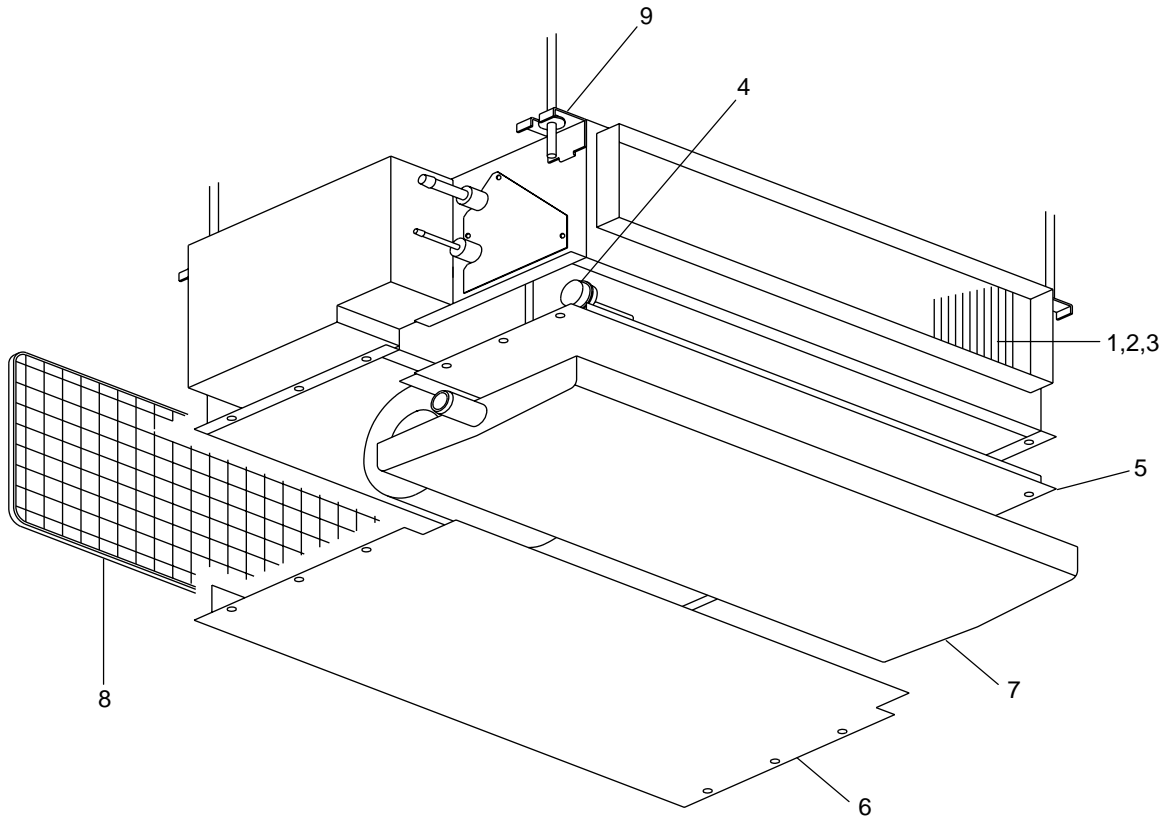
**Feb. 2001**

**INDEX**

**P E F Y - P ( 2 0 , 2 5 , 3 2 ) V M L - A**

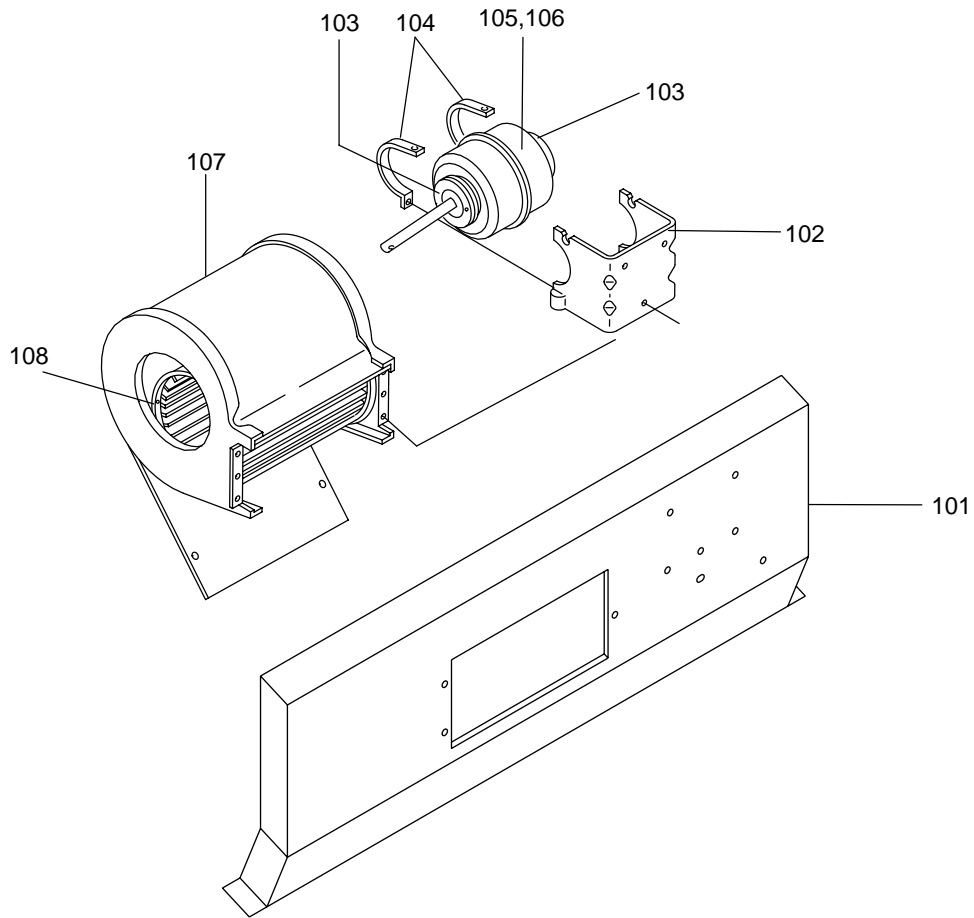


PEFY-P20,25,32VML-A  
EXTERNAL PARTS



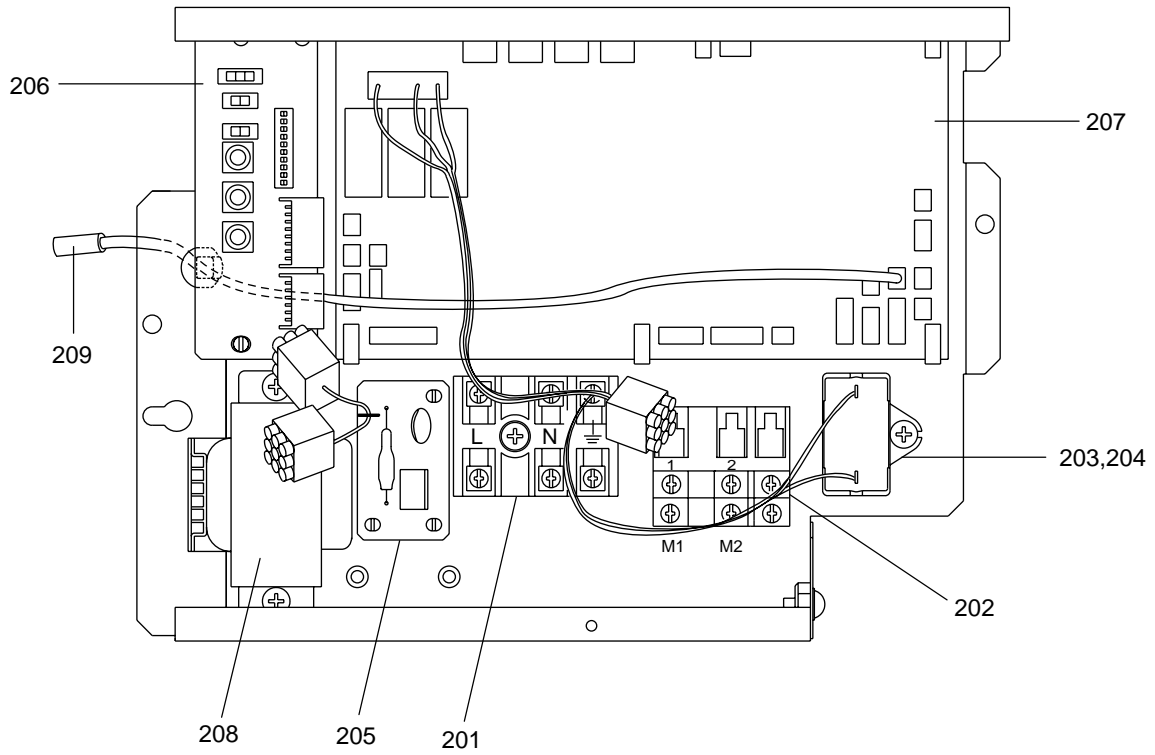
No.	Part No.	Part Name	Dwg. No.	Q'ty / Set				Spec.	Price
				-P20 VML-A	-P25 VML-A	-P32 VML-A			
1	R61 Y82 480	Heat exchanger ass'y	W265695G03	1	1	1			
2	R40 902 936	Thermistor (gas)	P425491X01	1	1	1	NTH3A23-4<TH23>		
3	R40 901 936	Thermistor (liquid)	P425484X01	1	1	1	NTH3A08-5<TH22>		
4	R61 358 401	Linear expansion valve	P632255X01	1	1	1	EDM-402<LEV>		
5	R61 Y01 661	Bottom plate A	W635907G01	1	1	1			
6	R61 Y02 661	Bottom plate B	W877415G01	1	1	1			
7	R61 Y10 529	Drain pan	W877416G01	1	1	1			
8	R61 Y06 501	Filter	W634781H01	1	1	1			
9	R61 151 326	Hanging metal fittings L	W398770H02	4	4	4			

PEFY-P20,25,32VML-A  
 BLOWER PARTS



No.	Part No.	Part Name	Dwg. No.	Q'ty / Set				Spec.	Price
				-P20 VML-A	-P25 VML-A	-P32 VML-A			
101	R61 Y14 140	Fan stand	W267214G01	1	1	1			
102	R61 370 130	Motor supprt	W234925H06	1	1	1			
103	R61 220 044	Rubber bush	W837244H01	2	2	2			
104	R61 652 131	Fixing plate	W353715H01	2	2	2			
105	R61 Y22 221	Motor P20L	P714690X01	1	1		CRC4417AB 1 23W<MF>		
106	R61 Y23 221	Motor P32L	P714691X01			1	CRC4418AB 1 32W<MF>		
107	R61 839 675	Fan cover	W234951G01	1	1	1			
108	R40 045 103	Sirocco fan ass'y	W234904G01	1	1	1			

PEFY-P20,25,32VML-A  
CONTROL BOX PARTS



No.	Part No.	Part Name	Dwg. No.	Q'ty / Set				Spec.	Price
				-P20 VML-A	-P25 VML-A	-P32 VML-A			
201	R61 Y08 715	Terminal bed	P436157X01	1	1	1		<TB2>	
202	R61 336 246	Terminal bed	P436114X03	1	1	1		<TB5>,<TB15>	
203	R61 Y14 252	Condenser 1.5UF	P412234X01	1	1			<C>	
204	R61 Y15 252	Condenser 2.0UF	P412235X01			1		<C>	
205	R61 Y22 280	Board ass'y FP-DSA	W848419G01	1	1	1		<A,B>	
206	R61 Y77 280	Board ass'y AD	W849036G06	1	1	1		<S,B>	
207	R61 Y78 280	Board ass'y RY	W849036G05	1	1	1		<I,B>	
208	R61 Y08 260	Transformer	P715268X02	1	1	1		240/23.5V-0.9A VH<T>	
209	R61 373 202	Thermistor (inlet)	P425455X01	1	1	1		<TH21>	

