



PEFY-P100VMH-E

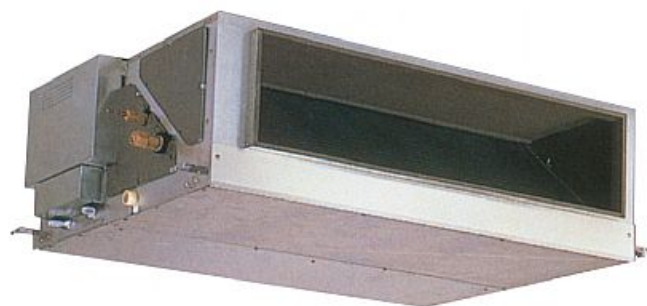
Indoor Unit

High Static Pressure Ceiling Concealed Ducted



With improved design flexibility as a result of increased external static pressure, the PEFY-P-VMH-E allows authentic duct air conditioning within the strictest aesthetic confines.

- **External static pressure of 200Pa**
- **Greater flexibility for duct extension, branching air outlet configuration**
- **Reduced noise levels thanks to the use of newly designed centrifugal fan**
- **Duct can be connected to intake side**
- **Drain lift-pump (option) 550mm of lift**
- **Cooling operation set temperature can be set down to 14°C db when used with R410A**



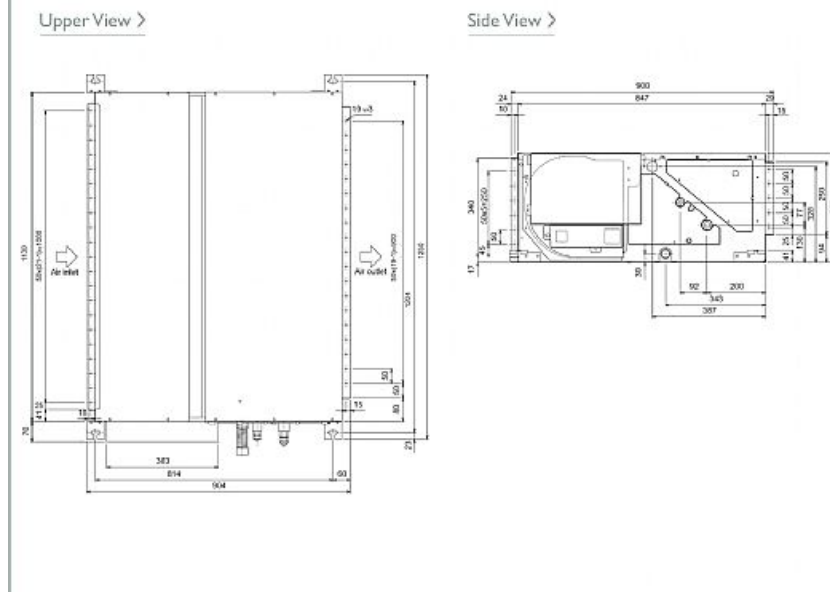
Pictures not to scale

Product Details

PEFY-P100VMH-E	
Capacity (kW):	
Heating (Nominal)	12.5
Cooling (Nominal)	11.2
R410A Heating (UK)	11.6
R407c Heating (UK)	11.6
R410A Cooling (UK)	10.6
R407c Cooling (UK)	10.6
R410A High Sensible Cooling (UK)	8.1
SHF R410A (UK)	0.8
SHF R407c (UK)	0.8
SHF High Sensible R410A (UK)	0.91
Power Input (kW) Heating (Nominal)	0.48
Power Input (kW) Cooling (Nominal)	0.48
Airflow (m3/min) - Lo-Hi	26.5-38
External Static Pressure Pa - Lo-Mi-Hi	100-150-200
Noise (dBA) - Lo-Hi	38-44
Width - mm	1200
Depth - mm	900
Height - mm	380
Weight - kg	70
Electrical Supply	220-240v, 50Hz
Phase	Single
Mains Cable No. Cores	3
Running Current (A) - Heating	2.34
Running Current (A) - Cooling	2.34
Fuse Rating (BS88) - HRC (A)	6

Dimensions

PEFY-P100VMH-E



Telephone: 01707 282880

Email: air.conditioning@meuk.mee.com Website: <http://www.mitsubishielectric.co.uk/aircon>

Mitsubishi Electric reserves the right to make any variation in technical specification to the equipment described, or to withdraw or replace products without prior notification or public announcement.

Tel:
Fax:

