

# **SERVICE PARTS LIST FOR MITSUBISHI ELECTRIC PACKAGED AIR-CONDITIONERS**

**Series PEFY-P.VMH-E**

**Apr. 2004**

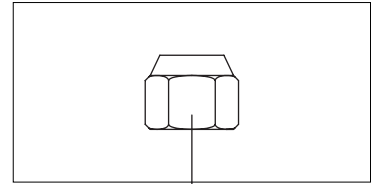
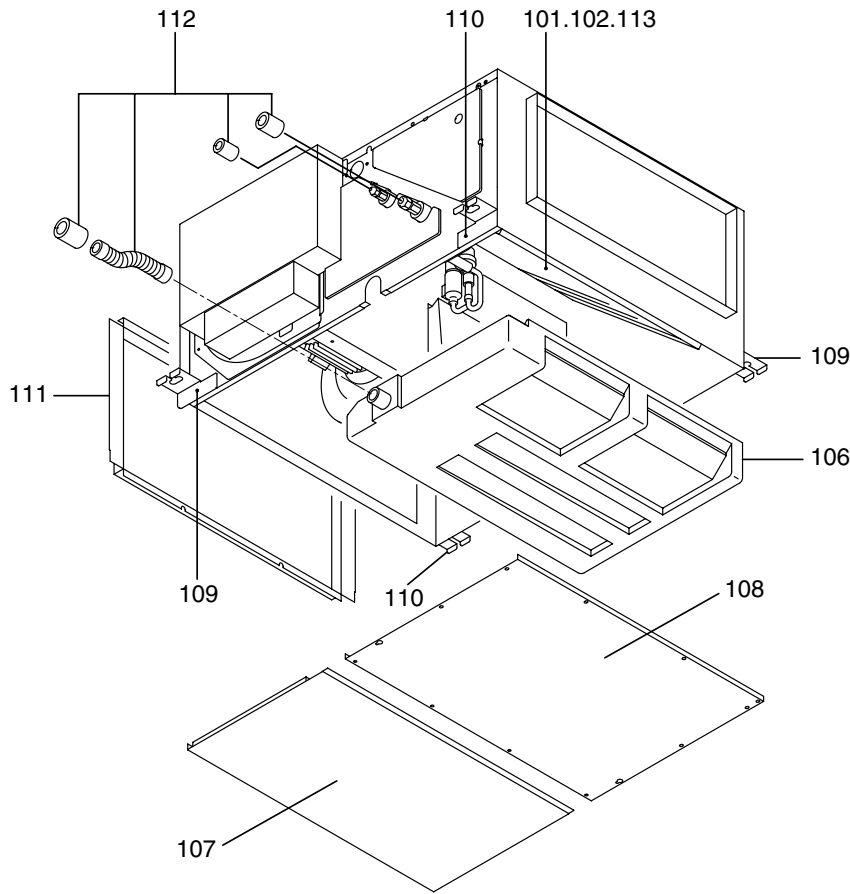
## **INDEX**

**PEFY-P40,P50,P63VMH-E**

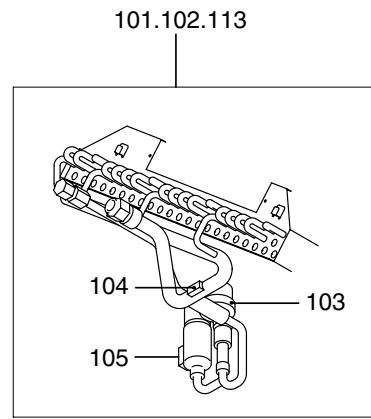
**PEFY-P71,P80VMH-E**

**PEFY-P100,P125,P140VMH-E**

**PEFY-P200,P250VMH-E**

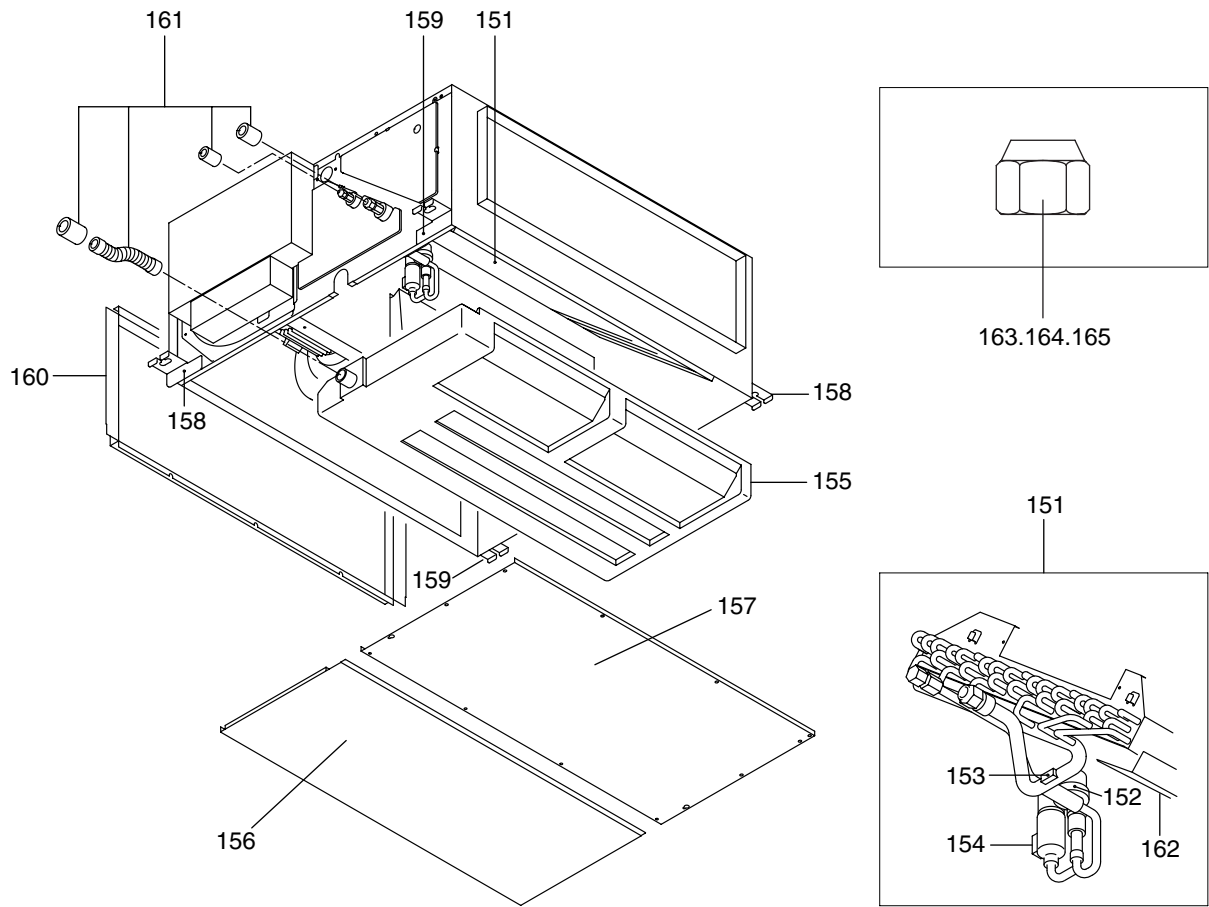


114.115.116.117  
118.119.120.121

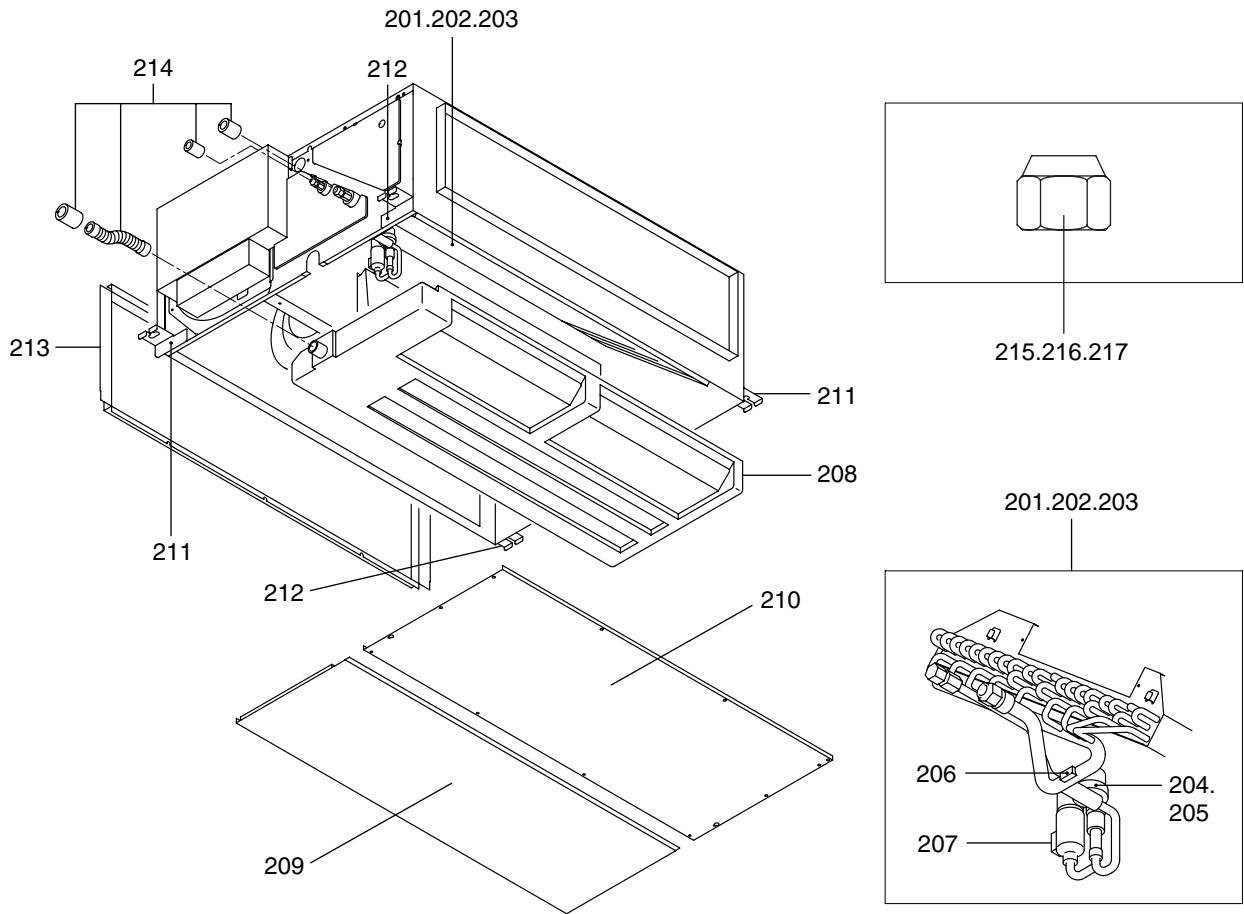


101.102.113

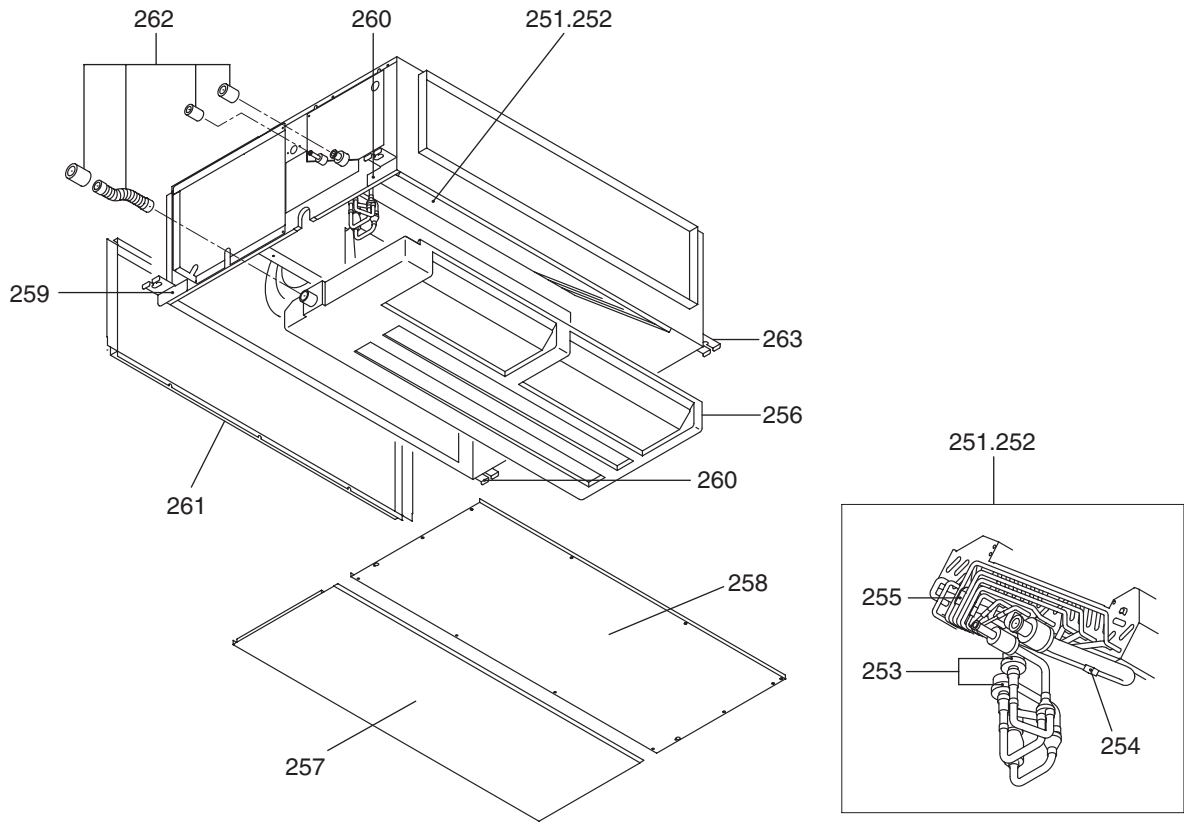
No.	Part No.	Part Name	Spec.	-P40VMH-E	-P50VMH-E	-P63VMH-E	Dwg. No.	Price
101	R61 S38 480	Heat exchanger ass'y P45		1			W275136G10	
102	R61 S39 480	Heat exchanger ass'y P56			1		W275136G11	
103	R61 S38 401	Linear expansion valve	EDM4 XH<LEV>	1	1	1	P632407X01	
104	R61 358 203	Thermistor	<TH23>	1	1	1	P425458X02	
105	R61 358 202	Thermistor	<TH22>	1	1	1	P425459X02	
106	R61 F85 529	Drain pan71		1	1	1	W122290G25	
107	R61 F85 661	Bottom plate ass'y 45		1	1	1	W627491G04	
108	R61 F92 661	Bottom plate A45 ass'y		1	1	1	W628696G07	
109	R61 F85 326	Hanging metal fittings D		2	2	2	W398771H03	
110	R61 F86 326	Hanging metal fittings D		2	2	2	W398771H04	
111	R61 F85 457	Flange ass'y 45		1	1	1	W627459G01	
112	R61 S38 526	Drain hose set		1	1	1	W650735G02	
113	R61 Y79 481	Heat exchanger ass'y P71				1	W275136G12	
114	R61 S32 122	Flare nut	<R22,R407C>	1			W843438H01	
115	R61 M04 134	Flare nut	<R22,R407C,R410A>	1			W457611H01	
116	R61 S35 122	Flare nut	<R22,R407C>		1	1	W843439H01	
117	R61 S36 122	Flare nut	<R22,R407C>		1	1	W843440H01	
118	R61 S34 122	Flare nut	<R410A>	1			W905525H01	
119	R61 S35 134	Flare nut	<R410A>		1		W905521H01	
120	R61 S37 134	Flare nut	<R410A>		1		W905520H01	
121	R61 S36 134	Flare nut	<R410A>			1	W905524H01	



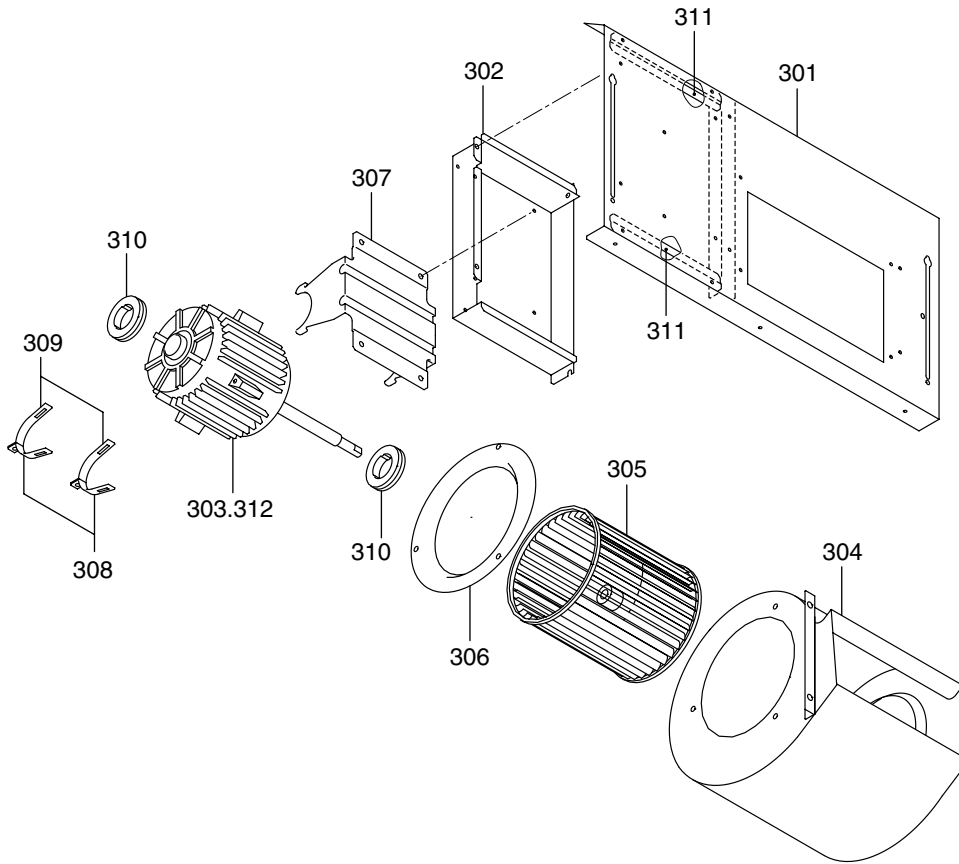
No.	Part No.	Part Name	Spec.	-P71VMH-E	-P80VMH-E					Dwg. No.	Price
151	R61 S41 480	Heat exchanger ass'y P80		1	1					W275136G13	
152	R61 R22 401	Linear expansion valve	EDM8 XH<LEV>	1	1					P632410X01	
153	R61 358 203	Thermistor	<TH23>	1	1					P425458X02	
154	R61 358 202	Thermistor	<TH22>	1	1					P425459X02	
155	R61 F88 529	Drain pan 90		1	1					W122290G26	
156	R61 F88 661	Bottom plate ass'y 80		1	1					W627491G05	
157	R61 F94 661	Bottom plate A80 ass'y		1	1					W628696G08	
158	R61 F85 326	Hanging metal fittings D		2	2					W398771H03	
159	R61 F86 326	Hanging metal fittings D		2	2					W398771H04	
160	R61 F88 457	Flange ass'y 80		1	1					W627459G02	
161	R61 S38 526	Drain hose set		1	1					W650735G02	
162	R61 F88 667	Partition board		1	1					W868141G01	
163	R61 S35 122	Flare nut	<R22,R407C>	1	1					W843439H01	
164	R61 S36 122	Flare nut	<R22,R407C,R410A>	1	1					W843440H01	
165	R61 S36 134	Flare nut	<R410A>	1	1					W905524H01	



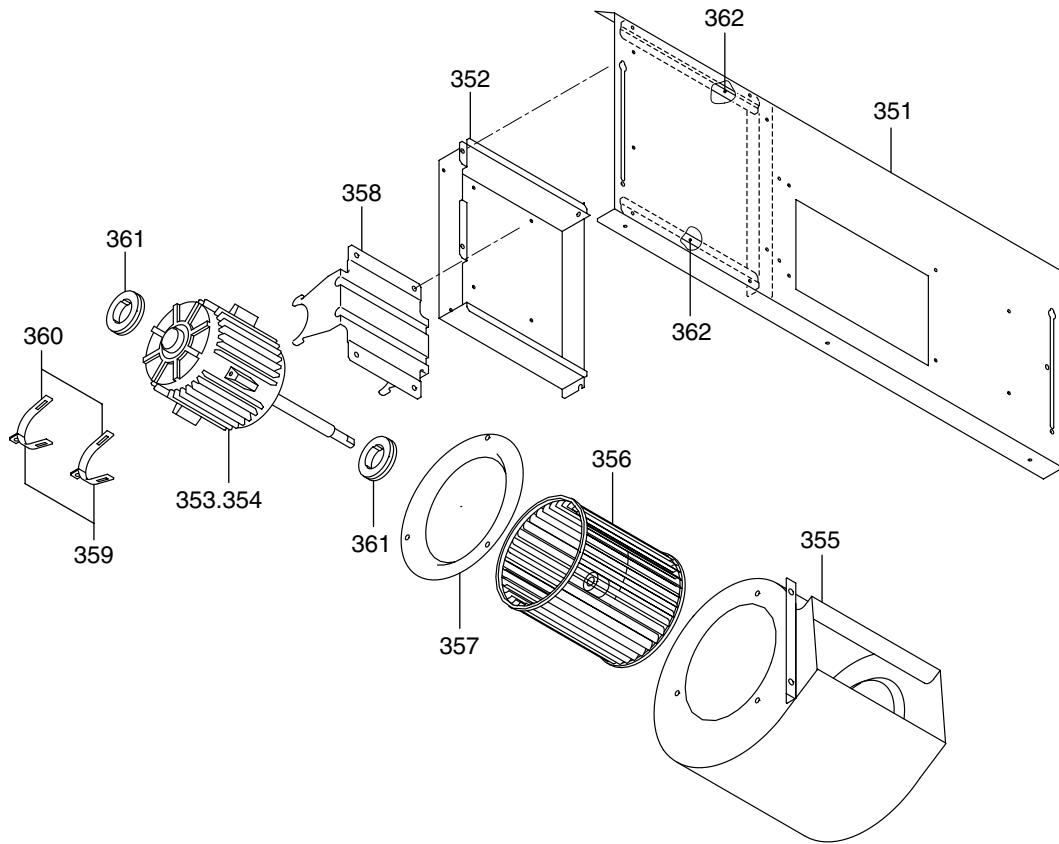
No.	Part No.	Part Name	Spec.	-P100VMH-E	-P125VMH-E	-P140VMH-E	Dwg. No.	Price
201	R61 S42 480	Heat exchanger ass'y P112		1			W275136G14	
202	R61 S43 480	Heat exchanger ass'y P140			1		W275136G15	
203	R61 S50 480	Heat exchanger ass'y P160				1	W275136G16	
204	R61 R22 401	Linear expansion valve	EDM8 XH<LEV>	1	1		P632410X01	
205	R61 R23 401	Linear expansion valve	EDMA XH<LEV>			1	P632413X01	
206	R61 358 203	Thermistor	<TH23>	1	1	1	P425458X02	
207	R61 358 202	Thermistor	<TH22>	1	1	1	P425459X02	
208	R61 F90 529	Drain pan 140		1	1	1	W122290G27	
209	R61 F90 661	Bottom plate ass'y112		1	1	1	W627491G06	
210	R61 F95 661	Bottom plate A112 ass'y		1	1	1	W628696G09	
211	R61 F85 326	Hanging metal fittings D		2	2	2	W398771H03	
212	R61 F86 326	Hanging metal fittings D		2	2	2	W398771H04	
213	R61 F90 457	Flange ass'y 112		1	1	1	W627459G03	
214	R61 S38 526	Drain hose set		1	1	1	W650735G02	
215	R61 M03 122	Flare nut	<R22,R407C>	1	1	1	W457611H05	
216	R61 S36 122	Flare nut	<R22,R407C,R410A>	1	1	1	W843440H01	
217	R61 S42 122	Flare nut	<R410A>	1	1	1	W905522H01	



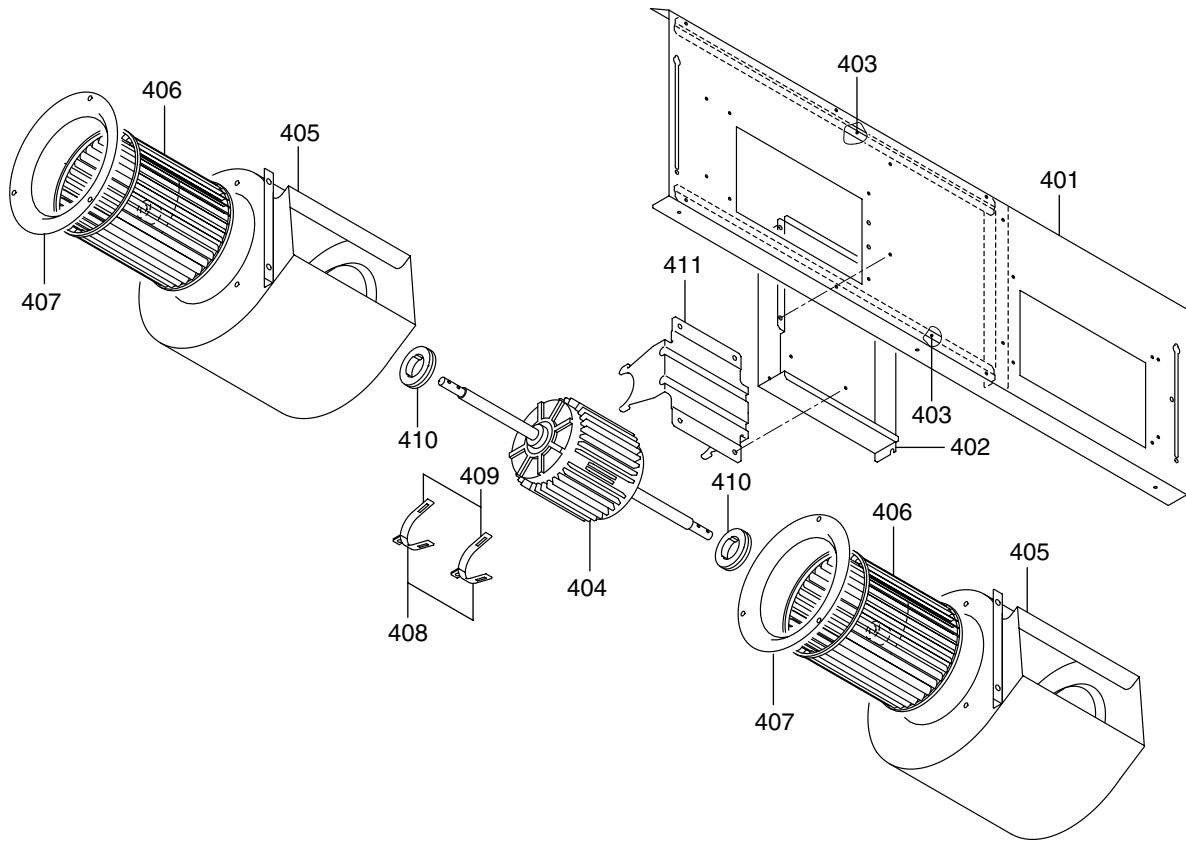
No.	Part No.	Part Name	Spec.	-P200VMH-E	-P250VMH-E					Dwg. No.	Price
251	R61 S45 480	Heat exchanger ass'y P224		1						W268110G07	
252	R61 S46 480	Heat exchanger ass'y P280			1					W268110G08	
253	R61 R22 401	Linear expansion valve	EDM8 XH<LEV>	2	2					P632410X01	
254	R61 358 203	Thermistor		1	1					P425458X02	
255	R61 358 202	Thermistor		1	1					P425459X02	
256	R61 H42 529	Drain pan 224		1	1					W125114G13	
257	R61 H42 661	Bottom plate ass'y 224		1	1					W627491G07	
258	R61 H43 661	Bottom plate A224 ass'y		1	1					W628696G10	
259	R61 F85 326	Hanging metal fittings D		1	1					W398771H03	
260	R61 F86 326	Hanging metal fittings D		2	2					W398771H04	
261	R61 H42 457	Flange ass'y		1	1					W630285G01	
262	R61 P53 525	Drain hose set		1	1					W650735G03	
263	R61 H42 326	Hanging metal fittings		1	1					W871827G01	



No.	Part No.	Part Name	Spec.				Dwg. No.	Price
				-P40VMH-E	-P50VMH-E	-P63VMH-E		
301	R61 F85 140	Fan stand 45		1	1	1	W263051H03	
302	R61 Y01 133	Motor stand		1	1	1	W881379G01	
303	R61 Y24 221	Motor P63H				1	P714693X02	
304	R61 F85 110	Fan casing		1	1	1	W122291G01	
305	R61 F85 114	Sirocco fan		1	1	1	W122292G03	
306	R61 F85 119	Bell mouth		1	1	1	W866104H01	
307	R61 772 130	Leg		1	1	1	R02G131H07	
308	R60 507 131	Fixing plate		2	2	2	R02F328H09	
309	R60 507 132	Fixing plate (with the nut)		2	2	2	R02F328G84	
310	R61 755 104	Rubber bush		2	2	2	R31F676H01	
311	R61 F85 573	Guide 71		2	2	2	W866123H01	
312	R61 Y27 221	Motor	P40H	1	1		P714692X02	

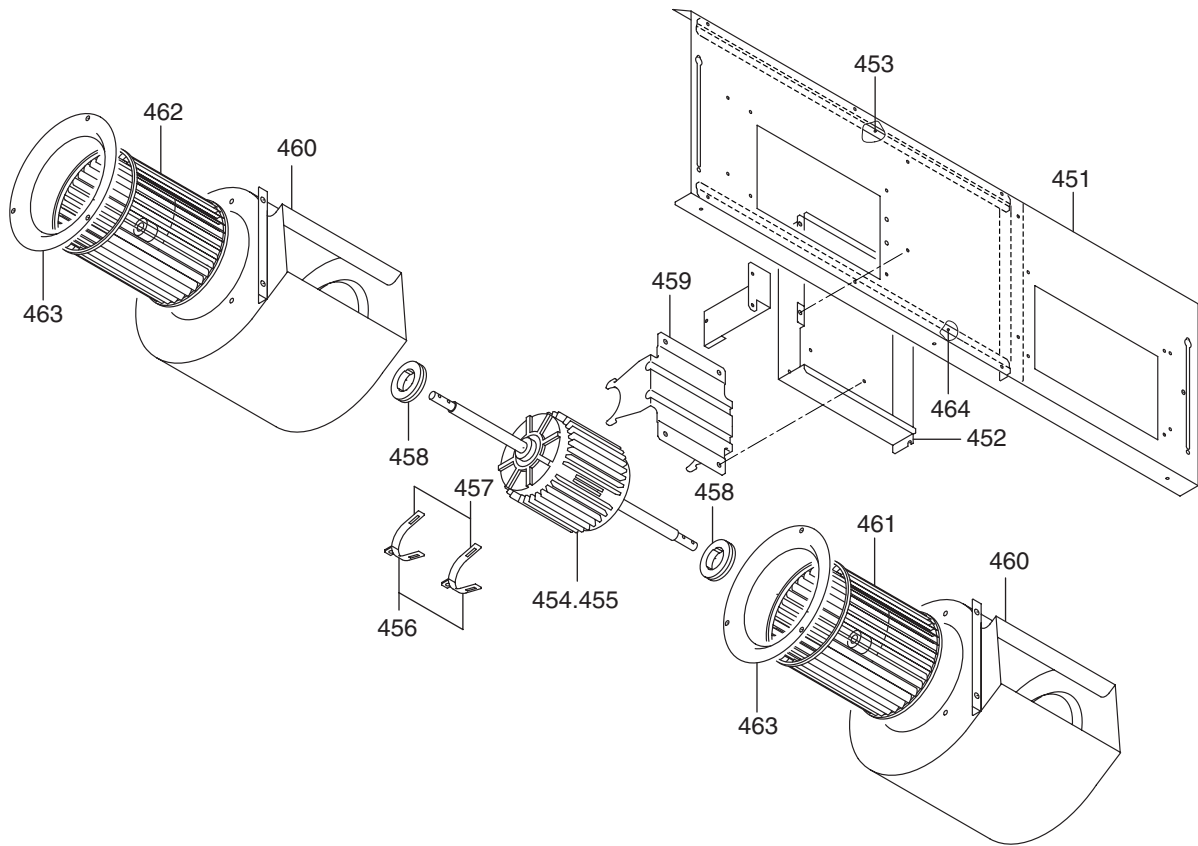


No.	Part No.	Part Name	Spec.	-P71VMH-E	-P80VMH-E					Dwg. No.	Price
351	R61 F88 140	Fan stand 80		1	1					W263052H03	
352	R61 Y02 133	Motor stand		1	1					W881380G01	
353	R61 Y25 221	Motor P71H		1						P714694X02	
354	R61 Y26 221	Motor P80H			1					P714695X02	
355	R61 F85 110	Fancasing		1	1					W122291G01	
356	R61 F85 114	Sirocco fan		1	1					W122292G03	
357	R61 F85 119	Bell mouth		1	1					W866104H01	
358	R61 772 130	Leg		1	1					R02G131H07	
359	R60 507 131	Fixing plate		2	2					R02F328H09	
360	R60 507 132	Fixing plate (with the nut)		2	2					R02F328G84	
361	R61 755 104	Rubber bush		2	2					R31F676H01	
362	R61 F88 573	Guide 80		2	2					W866123H02	

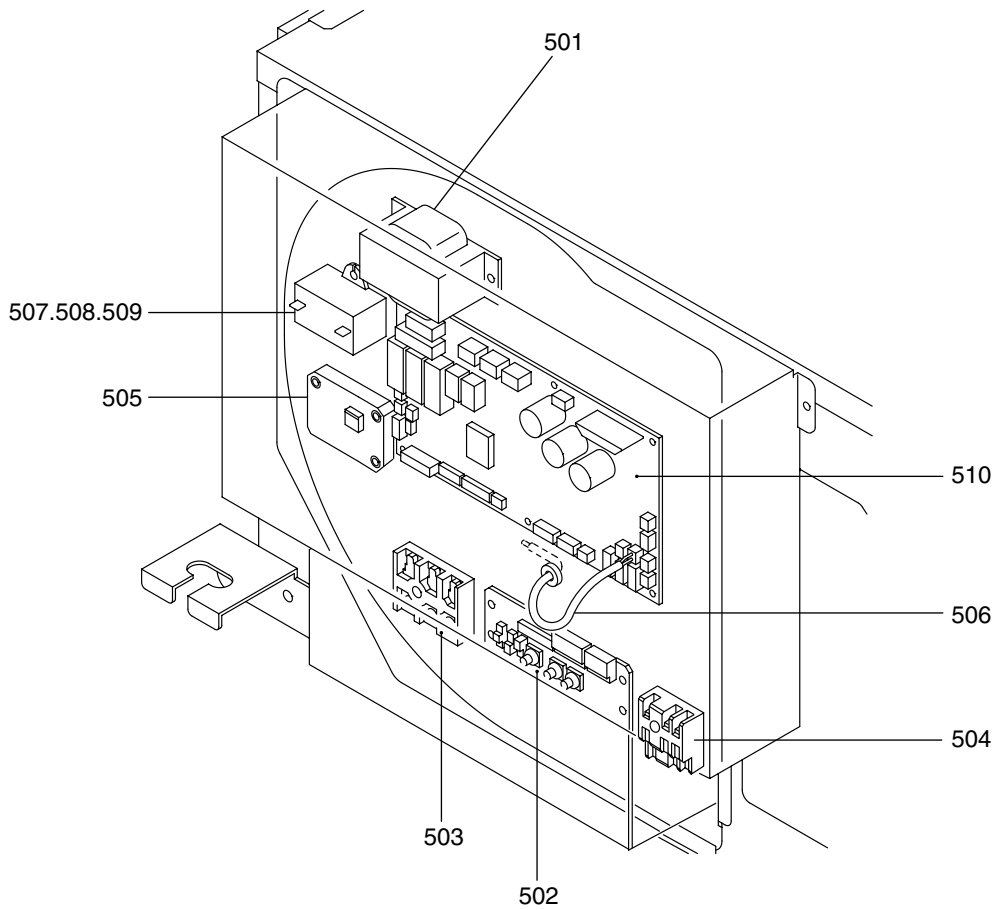


No.	Part No.	Part Name	Spec.				Dwg. No.	Price
				-P100VMH-E	-P125VMH-E	-P140VMH-E		
401	R61 G86 140	Fan snad 112		1	1	1	W263037H04	
402	R61 Y02 133	Motor stand		1	1	1	W881380G01	
403	R61 F90 573	Guide 112		2	2	2	W866123H03	
404	R61 Y28 221	Motor	P100H	1	1	1	P714696X02	
405	R61 F85 110	Fan casing		2	2	2	W122291G01	
406	R61 F85 114	Sirocco fan		2	2	2	W122292G03	
407	R61 F85 119	Bell mouth		2	2	2	W866104H01	
408	R60 508 131	Fixing plate		2	2	2	R02K338H02	
409	R60 508 132	Fixing plate (with the nut)		2	2	2	R02K338G82	
410	R61 Y01 104	Rubber bush		2	2	2	W860050H02	
411	R60 508 130	Leg		1	1	1	R02L922H02	



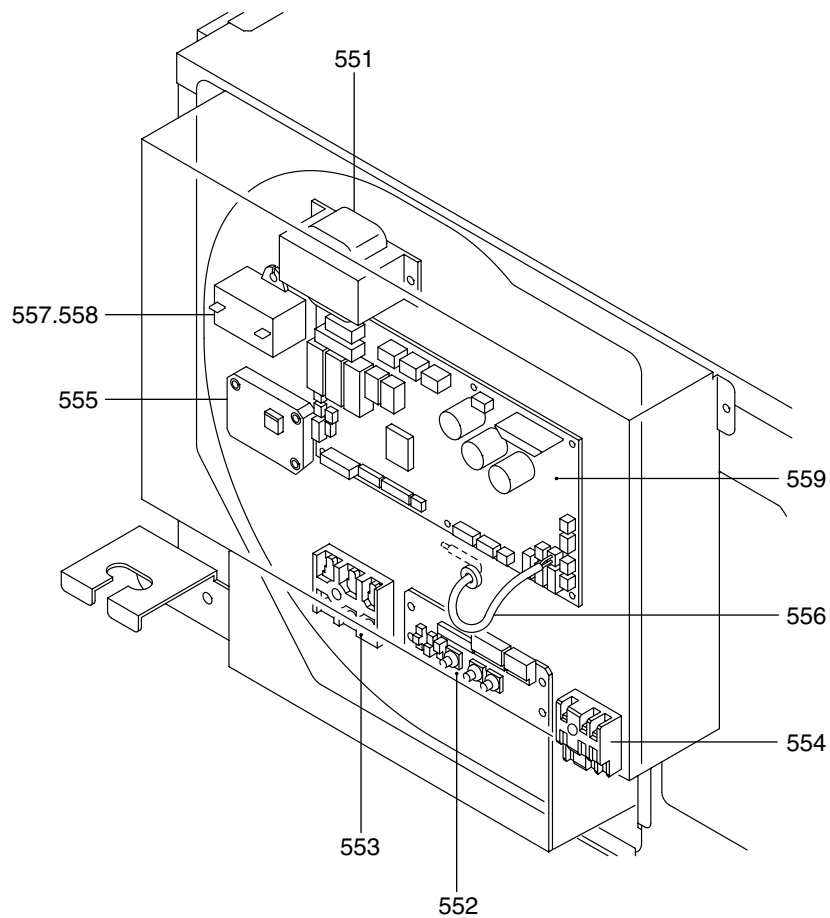


No.	Part No.	Part Name	Spec.	-P200VMH-E	-P250VMH-E					Dwg. No.	Price
451	R61 H42 140	Fan stand		1	1					W631853G01	
452	R61 Y03 133	Motor stand		1	1					W881378G01	
453	R61 H42 573	Guide		1	1					W866123H04	
454	R61 Y29 221	Motor		1						P714679X01	
455	R61 Y30 221	Motor			1					P714680X01	
456	R60 508 131	Fixing plate		2	2					R02K338H02	
457	R60 508 132	Fixing plate (with the nut)		2	2					R02K338G82	
458	R61 Y01 104	Rubber bush		2	2					W860050H02	
459	R60 508 130	Leg		1	1					R02L922H02	
460	R61 H20 110	Fan casing		2	2					W264318G01	
461	R60 311 114	Sirocco fan ass'y		1	1					R00C723G85	
462	R60 311 115	Sirocco fan ass'y	P40H	1	1					R00C723G86	
463	R61 249 119	Bell mouth		2	2					R02F474H03	
464	R61 H43 573	Guide 224		1	1					W866123H05	

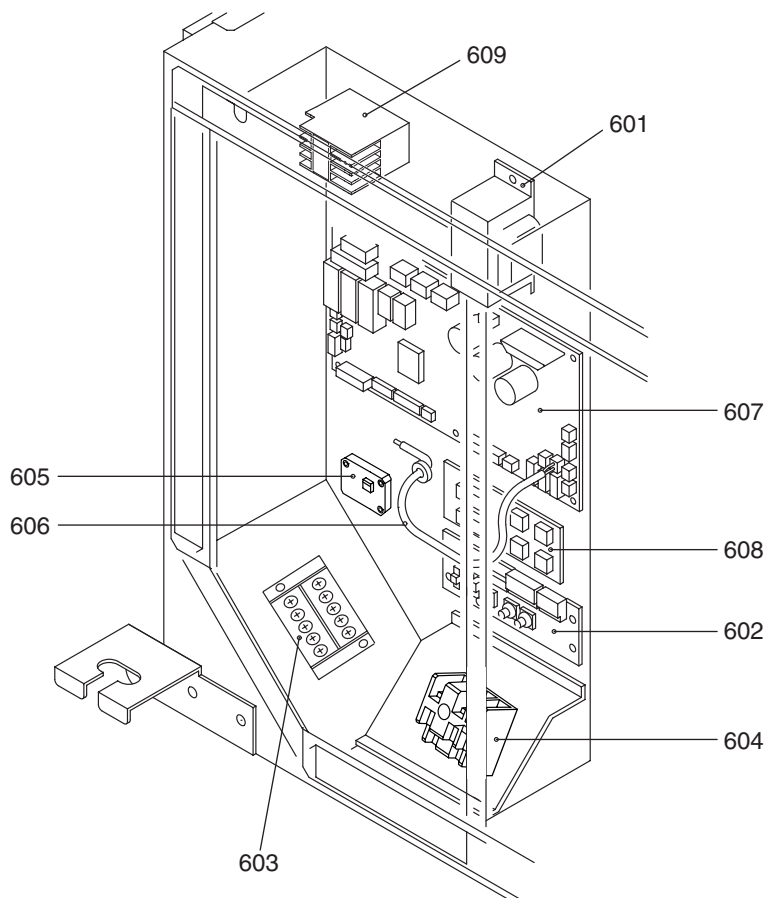


No.	Part No.	Part Name	Spec.					Dwg. No.	Price
				-P40VMH-E	-P50VMH-E	-P63VMH-E	-P71VMH-E		
501	R61 Y08 260	Transformer	240/23.5V-0.9A VH	1	1	1	1	P715342X01	
502	R61 Y37 281	Board ass'y AD		1	1	1	1	W849036G09	
503	R61 Y08 715	Terminal bed	<TB2>	1	1	1	1	P436157X01	
504	R61 336 246	Terminal bed	<TB5>,<TB15>	1	1	1	1	P436114X03	
505	R61 Y22 280	Board ass'y FP-DSA		1	1	1	1	W848419G01	
506	R61 373 202	Thermistor		1	1	1	1	P425455X01	
507	R61 E65 252	Condenser 3UF	440AC	1	1			P412204X01	
508	R61 Y08 252	Condenser 4UF				1		P412209X01	
509	R61 F79 252	Condenser 5UF					1	P412214X01	
510	R61 Y36 281	Board ass'y RY		1	1	1	1	W849072G06	

PEFY-P80,P100,P125,P140VMH-E CONTROL BOX PARTS



No.	Part No.	Part Name	Spec.					Dwg. No.	Price
				-P80VMH-E	-P100VMH-E	-P125VMH-E	-P140VMH-E		
551	R61 Y08 260	Transformer	240/23.5V-0.9A VH	1	1	1	1	P715342X01	
552	R61 Y37 281	Board ass'y AD		1	1	1	1	W849036G09	
553	R61 Y08 715	Terminal bed	<TB2>	1	1	1	1	P436157X01	
554	R61 336 246	Terminal bed	<TB5>,<TB15>	1	1	1	1	P436114X03	
555	R61 Y22 280	Board ass'y FP-DSA		1	1	1	1	W848419G01	
556	R61 373 202	Thermistor		1	1	1	1	P425455X01	
557	R61 F79 252	Condenser 5UF		1				P412214X01	
558	R61 Y16 252	Condenser 7UF			1	1	1	P412217X01	
559	R61 Y36 281	Board ass'y RY		1	1	1	1	W849072G06	



No.	Part No.	Part Name	Spec.	-P200VMH-E	-P250VMH-E					Dwg. No.	Price
601	R61 Y08 260	Transformer	240/23.5V-0.9A VH	1	1					P715342X01	
602	R61 Y37 281	Board ass'y AD		1	1					W849036G09	
603	R61 Y05 246	Terminal bed	LVD	1	1					P436151X01	
604	R61 336 246	Terminal bed	LVD	1	1					P436114X03	
605	R61 Y22 280	Board ass'y FP-DSA		1	1					W848419G01	
606	R61 373 202	Thermistor		1	1					P425455X01	
607	R61 Y36 281	Board ass'y RY		1	1					W849072G06	
608	R61 350 280	LEV adaptor board ass'y		1	1					W601714G02	
609	R61 Y33 225	Solenoid switch	MSO-N11AR	1	1					S427021H60	

