

PARTS CATALOG

Series PCFY Ceiling Suspended R410A / R407C / R22

 Indoor unit
[Model names]

[Service Ref.]

PCFY-P40VKM-E

PCFY-P40VKM-E

PCFY-P63VKM-E

PCFY-P63VKM-E

PCFY-P100VKM-E

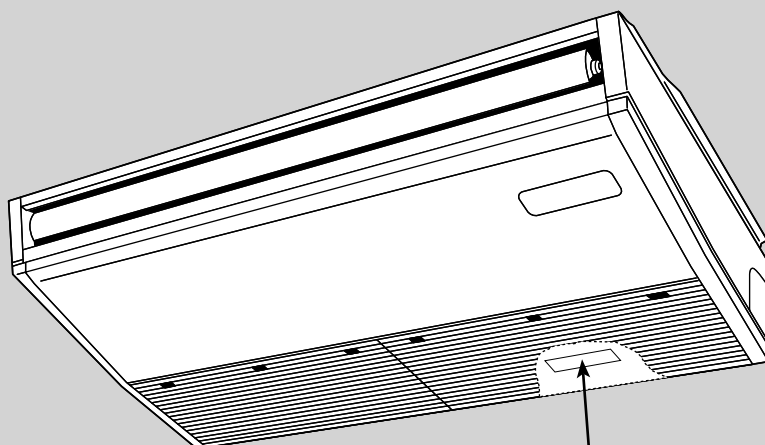
PCFY-P100VKM-E

PCFY-P125VKM-E

PCFY-P125VKM-E

Note:

- RoHS compliant products have <G> mark on the spec name plate.



INDOOR UNIT

 Model name
indication

CONTENTS

1. RoHS PARTS LIST2
2. OPTIONAL PARTS7

SERVICE MANUAL (OCH449)

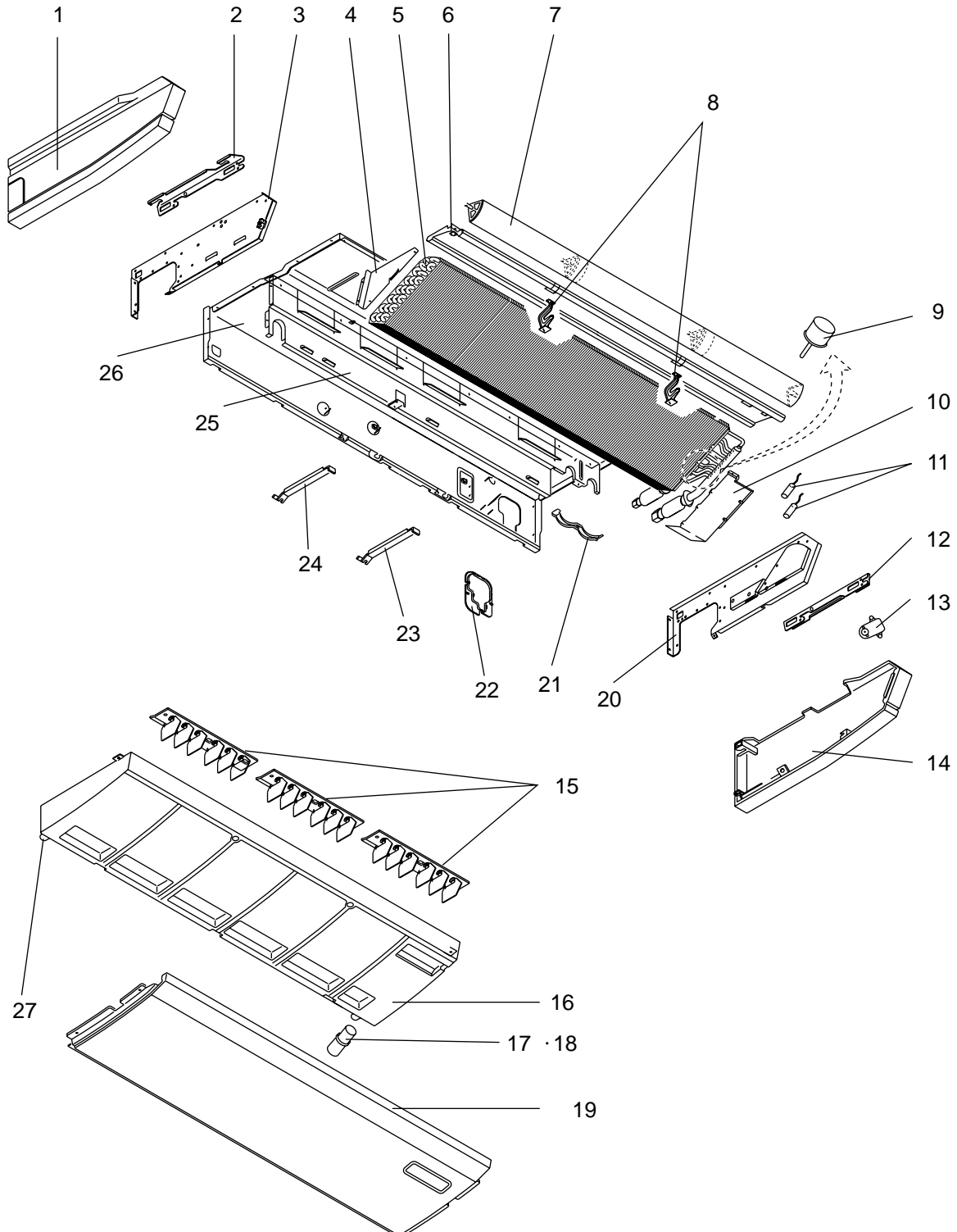
STRUCTURAL AND FUNCTIONAL PARTS (1)

PCFY-P40VKM-E

PCFY-P63VKM-E

PCFY-P100VKM-E

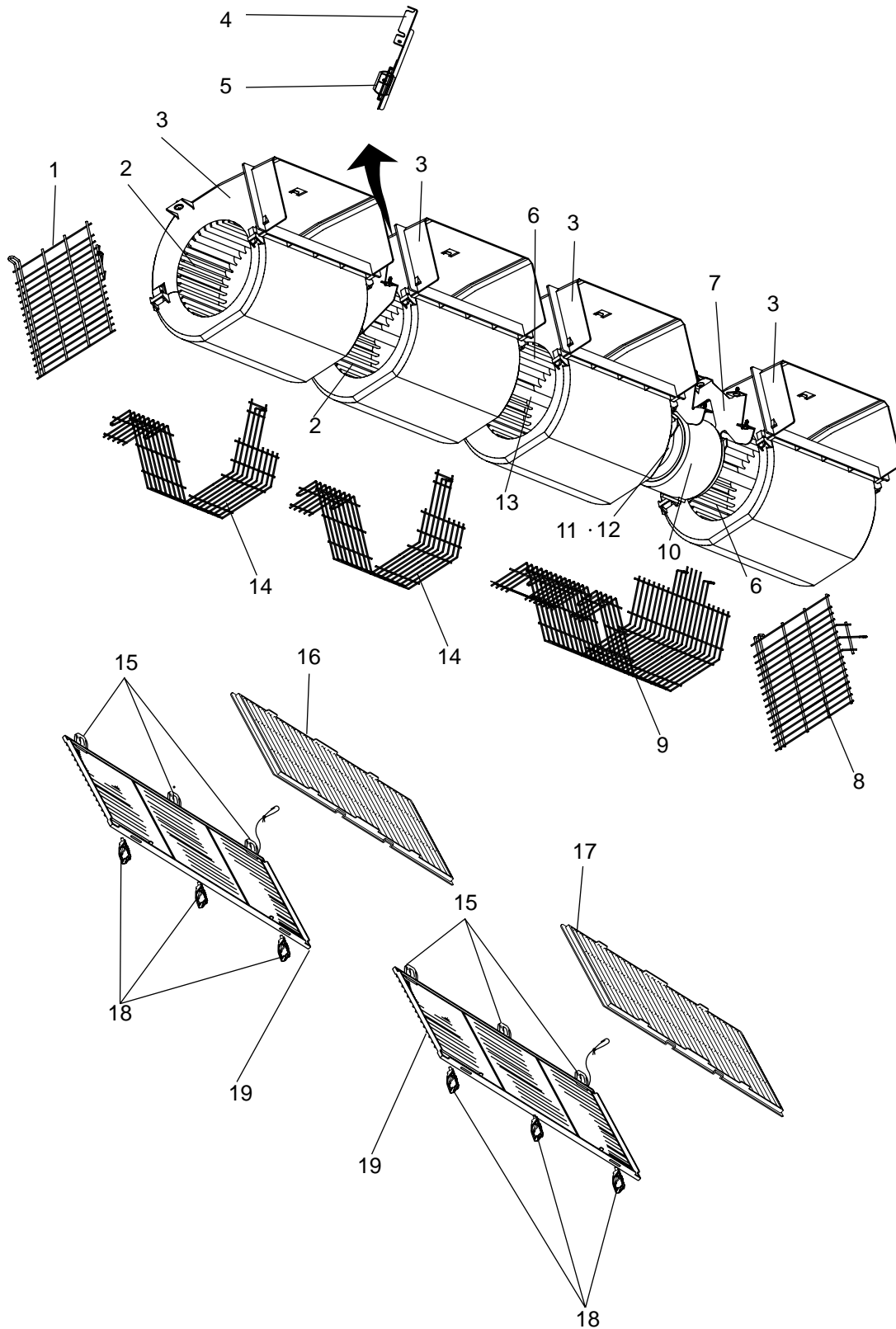
PCFY-P125VKM-E





No.	RoHS	Part No.	Part Name	Specification	Q'ty/set				Remarks (Drawing No.)	Wiring Diagram Symbol	Recom- mended Q'ty
					PCFY-PVKM-E						
					40	63	100	125			
1	G	R01 E26 662	SIDE PANEL-L		1	1	1	1			
2	G	R01 E06 809	LEG-L		1	1	1	1			
3	G	R01 E02 666	SIDE PLATE-L		1	1	1	1			
4	G	R01 E05 615	COIL SUPPORT-H		1	1	1	1			
5	G	R01 N55 480	HEAT EXCHANGER		1						
	G	R01 N56 480	HEAT EXCHANGER			1					
	G	R01 N58 480	HEAT EXCHANGER				1				
	G	R01 N59 480	HEAT EXCHANGER					1			
6	G	R01 E12 651	FRONT PANEL		1						
	G	R01 E13 651	FRONT PANEL			1					
	G	R01 E14 651	FRONT PANEL				1	1			
7	G	R01 E28 002	AUTO VANE		1						
	G	R01 E29 002	AUTO VANE			1					
	G	R01 E30 002	AUTO VANE				1	1			
8	G	R01 E04 033	VANE SUPPORT		1	2	2	2			
9	G	R01 H04 401	EXPANSION VALVE		1	1					LEV
	G	R01 H24 401	EXPANSION VALVE				1	1			LEV
10	G	R01 E04 615	COIL SUPPORT		1	1	1	1			
11	G	T7W E61 202	THERMISTOR (PIPE)		1	1	1	1			TH22/23
12	G	R01 E06 808	LEG-R		1	1	1	1			
13	G	R01 E25 223	VANE MOTOR ASSY		1	1	1	1			MV
14	G	R01 E45 661	SIDE PANEL-R		1	1	1	1			
15	G	R01 E03 085	GUIDE VANE		2	3					
	G	R01 E04 085	GUIDE VANE				3	3			
16	G	R01 E42 529	DRAIN PAN		1						
	G	R01 E43 529	DRAIN PAN			1					
	G	R01 E44 529	DRAIN PAN				1	1			
17	G	R01 18J 523	JOINT SOCKET		1	1	1	1			
18	G	R01 18J 072	DRAIN HOSE COVER		1	1	1	1			
19	G	R01 E03 669	UNDER PANEL		1						
	G	R01 E04 669	UNDER PANEL			1					
	G	R01 E05 669	UNDER PANEL				1	1			
20	G	R01 E02 665	SIDE PLATE-R		1	1	1	1			
21	G	R01 E02 126	PIPE BAND		1	1	1	1			
22	G	R01 E00 053	PIPE HOLE COVER		1	1	1	1			
23	G	-	BEAM		1	1	1	1	(RG00D440G02)		
24	G	-	BEAM			1	1	1	(BH02G431G10)		
25	G	-	FAN PLATE		1				(RG00V683G47)		
	G	-	FAN PLATE			1			(RG00V683G48)		
	G	-	FAN PLATE				1	1	(RG00V683G49)		
26	G	-	BASE	Including REAR PANEL	1				(RG00V682G29)		
	G	-	BASE			1			(RG00V682G30)		
	G	-	BASE				1	1	(RG00V682G31)		
27	G	R01 18J 524	DRAIN PLUG		1	1	1	1			

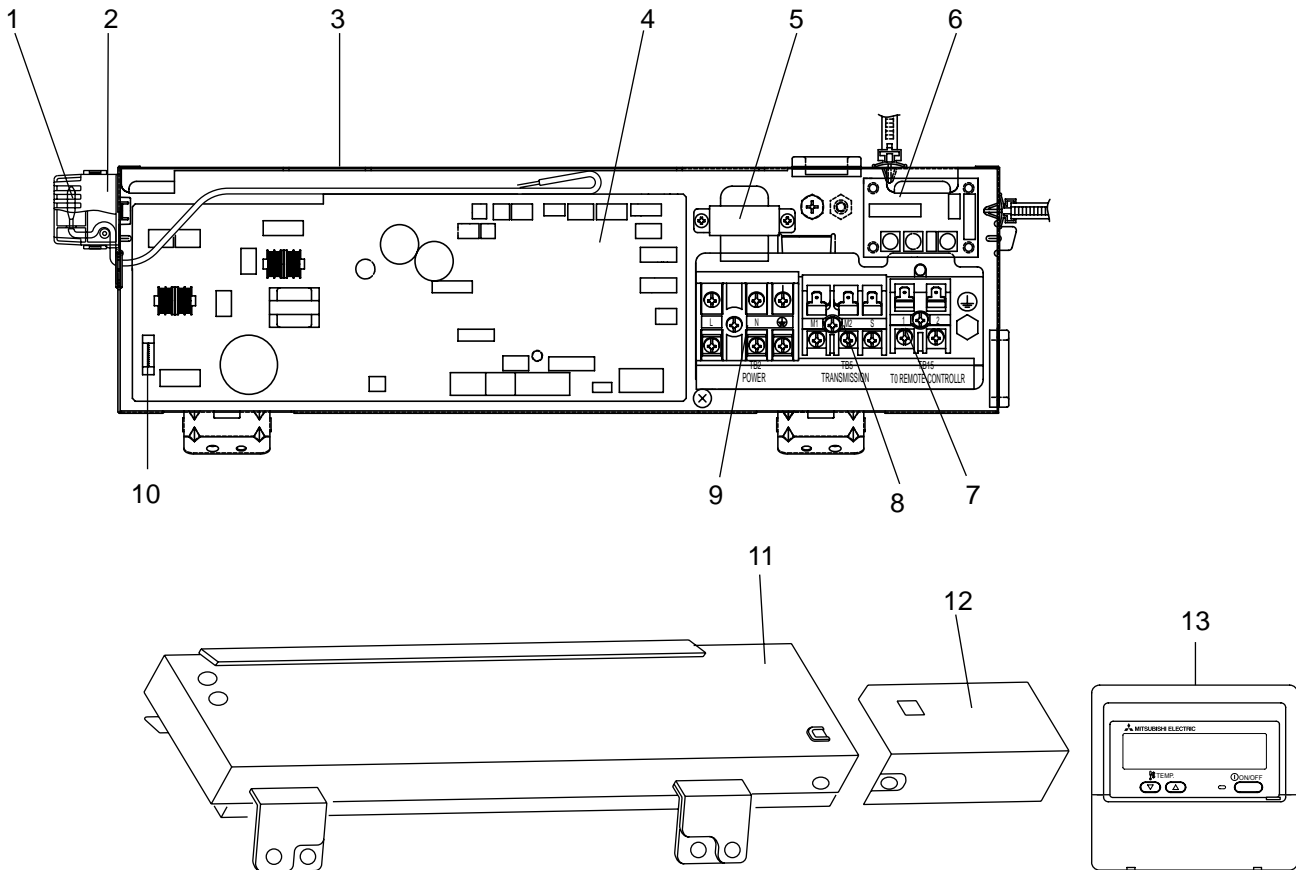
STRUCTURAL AND FUNCTIONAL PARTS (2)
PCFY-P40VKM-E
PCFY-P63VKM-E
PCFY-P100VKM-E
PCFY-P125VKM-E





No.	RoHS	Part No.	Part Name	Specification	Q'ty/set			Remarks (Drawing No.)	Wiring Diagram Symbol	Recom- mended Q'ty
					PCFY-P•VKM-E					
					40	63	100,125			
1	G	T7W E20 675	FAN GUARD-L		1	1	1			
2	G	R01 E41 114	SIROCCO FAN				2			
3	G	R01 20J 110	CASING		2	3	4			
4	G	R01 E00 145	BEARING SUPPORT			1	1			
5	G	R01 E05 103	BEARING			1	1			
6	G	R01 E40 114	SIROCCO FAN		2	3	2			
7	G	T7W E14 130	MOTOR LEG		1	1	1			
8	G	T7W E21 675	FAN GUARD-R		1	1	1			
9	G	T7W E22 675	FAN GUARD		1					
	G	T7W E23 675	FAN GUARD			1	1			
10	G	T7W E38 762	FAN MOTOR		1				MF	
	G	T7W E39 762	FAN MOTOR			1			MF	
	G	T7W E40 762	FAN MOTOR				1		MF	
11	G	T7W E01 126	PIECE (MOTOR) R.L		1	1	1			
12	G	R01 E00 116	JOINT(SHAFT)			1	1			
13	G	R01 31J 100	SHAFT			1				
	G	R01 32J 100	SHAFT				1			
14	G	T7W E24 675	FAN GUARD			1				
	G	T7W E25 675	FAN GUARD				2			
15	G	R01 E04 061	GRILLE HINGE		4	5	6			
16	G	R01 E24 500	AIR FILTER		2	1				
17	G	R01 E25 500	AIR FILTER			1	2			
18	G	R01 E11 054	GRILLE CATCH		4	5	6			
19	G	R01 E54 691	GRILLE (SMALL)		2	1				
	G	R01 E55 691	GRILLE (LARGE)			1	2			

ELECTRICAL PARTS
PCFY-P40VKM-E
PCFY-P63VKM-E
PCFY-P100VKM-E
PCFY-P125VKM-E



No.	R/HS	Part No.	Part Name	Specification	Q'ty/set	Remarks (Drawing No.)	Wiring Diagram Symbol	Recom- mended Q'ty
					PCFY-P•VKM-E 40, 63, 100, 125			
1	G	T7W E60 202	THERMISTOR (ROOM)		1		TH21	
2	G	-	SENSOR COVER		1	(RG25V835G02)		
3	G	-	ELECTRICAL BOX		1	(BH00G997G16)		
4	G	T7W E81 310	CONTROLLER BOARD		1		I.B.	
5	G	T7W E19 259	REACTOR		1		DCL	
6	G	T7W E01 294	ADDRESS BOARD		1		A.B.	
7	G	R01 E44 246	TERMINAL BLOCK	2P (1,2)	1		TB15	
8	G	T7W E35 716	TERMINAL BLOCK	3P (M1,M2,S)	1		TB5	
9	G	T7W E32 716	TERMINAL BLOCK	3P (L, N, G)	1		TB2	
10	G	R01 E06 239	FUSE	6.3A 250V	1		FUSE	
11	G	-	ELECTRICAL BOX COVER		1	(BH00L420G04)		
12	G	-	ELECTRICAL BOX COVER		1	(RG02V755G02)		
13	G	-	REMOTE CONTROLLER	PAR-21MAA	1			

2**OPTIONAL PARTS****2-1. WIRELESS REMOTE CONTROLLER**

Part No.	PAR-SL94B-E
----------	-------------

2-2. WIRED REMOTE CONTROLLER (MA REMOTE CONTROLLER)

Part No.	PAR-21MAA
----------	-----------

2-3. WIRED REMOTE CONTROLLER (ME REMOTE CONTROLLER)

Part No.	PAR-F27MEA
----------	------------

2-4. DRAIN PUMP

Part No.	PAC-SH83DM-E	PAC-SH84DM-E
Applied model	PCFY-P40VKM-E	PCFY-P63,100,125VKM-E

2-5. HIGH EFFICIENCY FILTER

Part No.	PAC-SH88KF-E	PAC-SH89KF-E	PAC-SH90KF-E
Applied model	PCFY-P40VKM-E	PCFY-P63VKM-E	PCFY-P100,125VKM-E

CITY MULTI™

 **MITSUBISHI ELECTRIC CORPORATION**

HEAD OFFICE : TOKYO BLDG., 2-7-3, MARUNOUCHI, CHIYODA-KU TOKYO 100-8310, JAPAN
