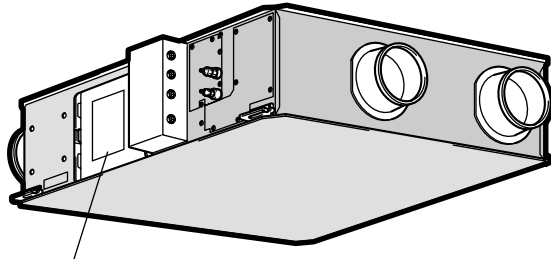


FRESH MASTER

HAND BOOK

FOR DEALERS

Model: GUF-50RD3
GUF-100RD3



Model name

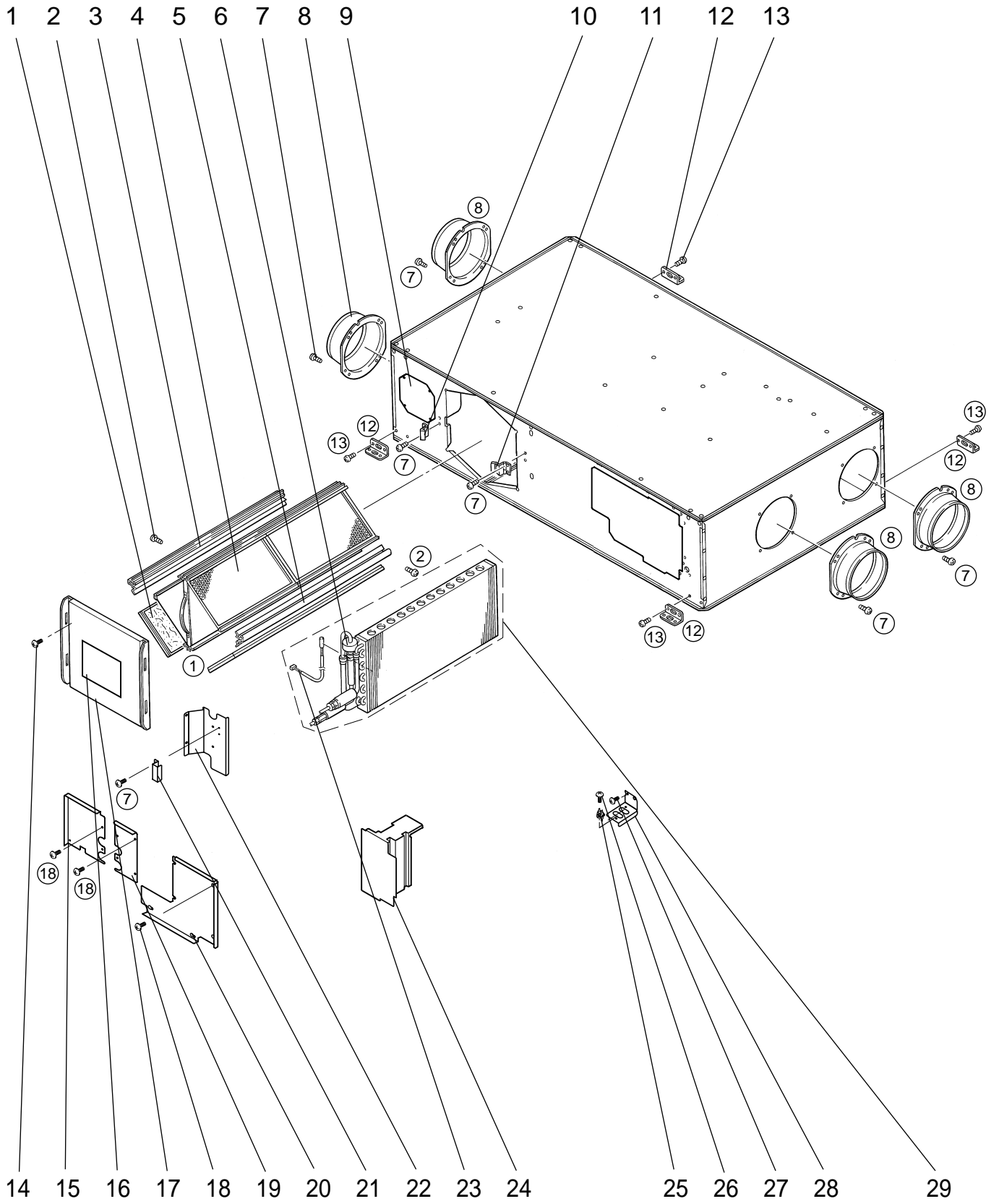
The picture is shown GUF-50RD3.
Humidifier function not available.

Notice:

The term of validity is for a year from the issued date.

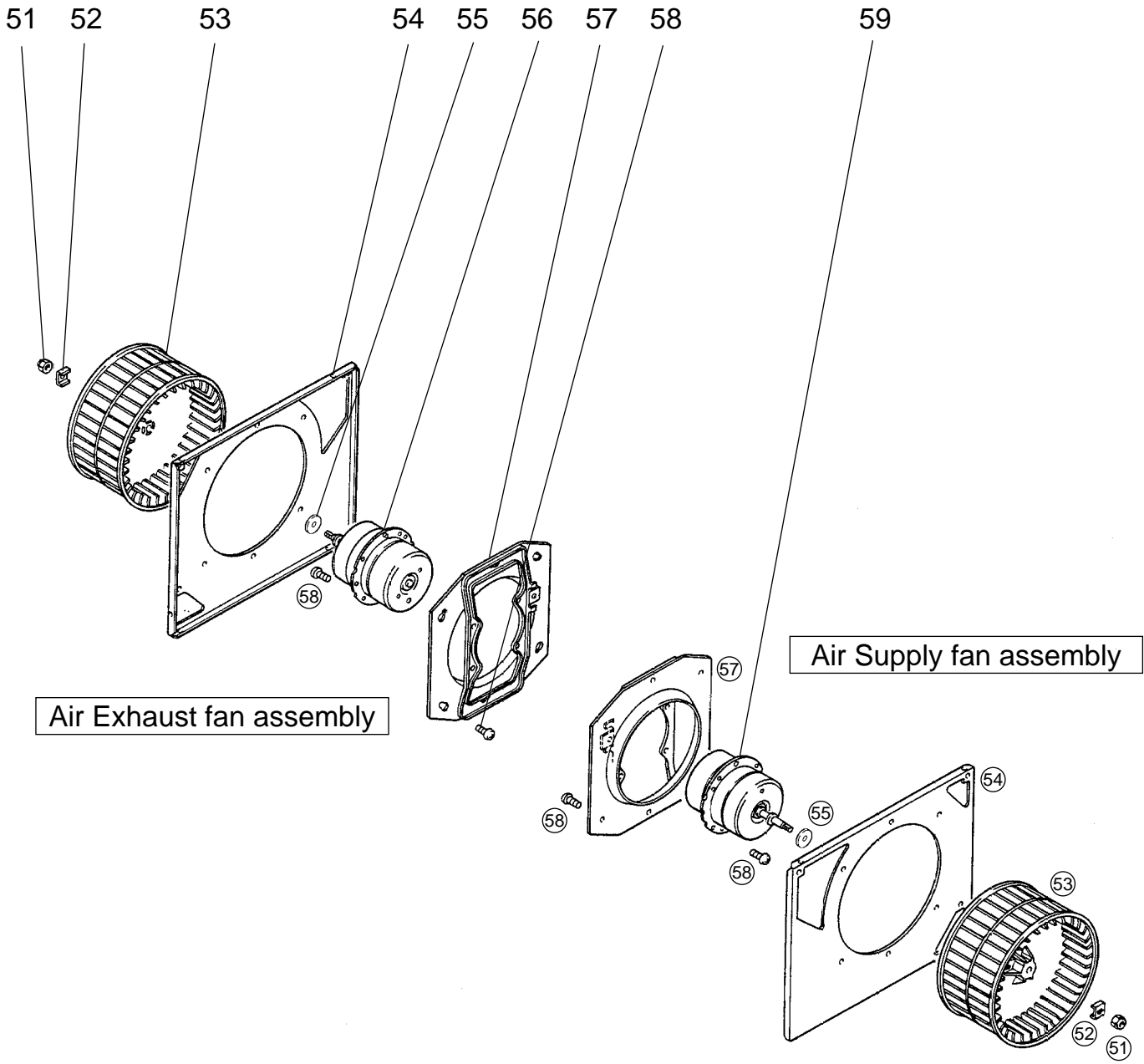
Model GUF-50RD3

No.	Parts No.	Name of part	Q'ty pcs/unit	Critical for safety	Remarks	Price
1.	Y50 062 718	Filter	2	▲		
2.	H00 000 488	PTT screw 4×12	2			
3.	R50 216 381	Core guide	1			
4.	R50 216 710	Lossnay core	2	▲		
5.	R50 263 381	Core guide	1			
6.	R50 474 737	Linear expansion valve	1	▲		
7.	H00 000 487	PTT screw 4×8	38			
8.	R50 028 610	Flange	4			
9.	R50 351 708	Cover	2			
10.	R50 466 344	Hinge	1			
11.	Y50 029 712	Fix plate	1			
12.	R50 095 380	Hanger	4			
13.	H00 000 244	PT screw 6×12	8			
14.	M34 074 017	Special screw 4×11	1			
15.	R50 429 691	Cover(L)	1			
16.	Y55 009 366	Model name	1			
17.	X50 002 707	Meintenanace cover	1			
18.	H00 189 007	PTT screw 5×10	13			
19.	R50 429 697	Cover(S)	1			
20.	R50 429 698	Humidifier cover	1			
21.	R50 429 700	Fix plate	1			
22.	R50 429 699	Fix plate	1			
23.	R40 647 340	Thermistor	1	▲	Liquid pipe	
23.	R40 632 936	Thermistor	1	▲	Gas pipe	
24.	R50 429 486	Humidifier cover(IN)	1			
25.	R50 117 708	Water sensor	2	▲		
26.	M35 282 045	Special screw 4×12	1			
27.	H00 260 045	PPT screw 4×8	5			
28.	Y55 007 692	Water sensor plate	1			
29.	R50 472 699	Heat exchanger	1	▲	Refrigerant	



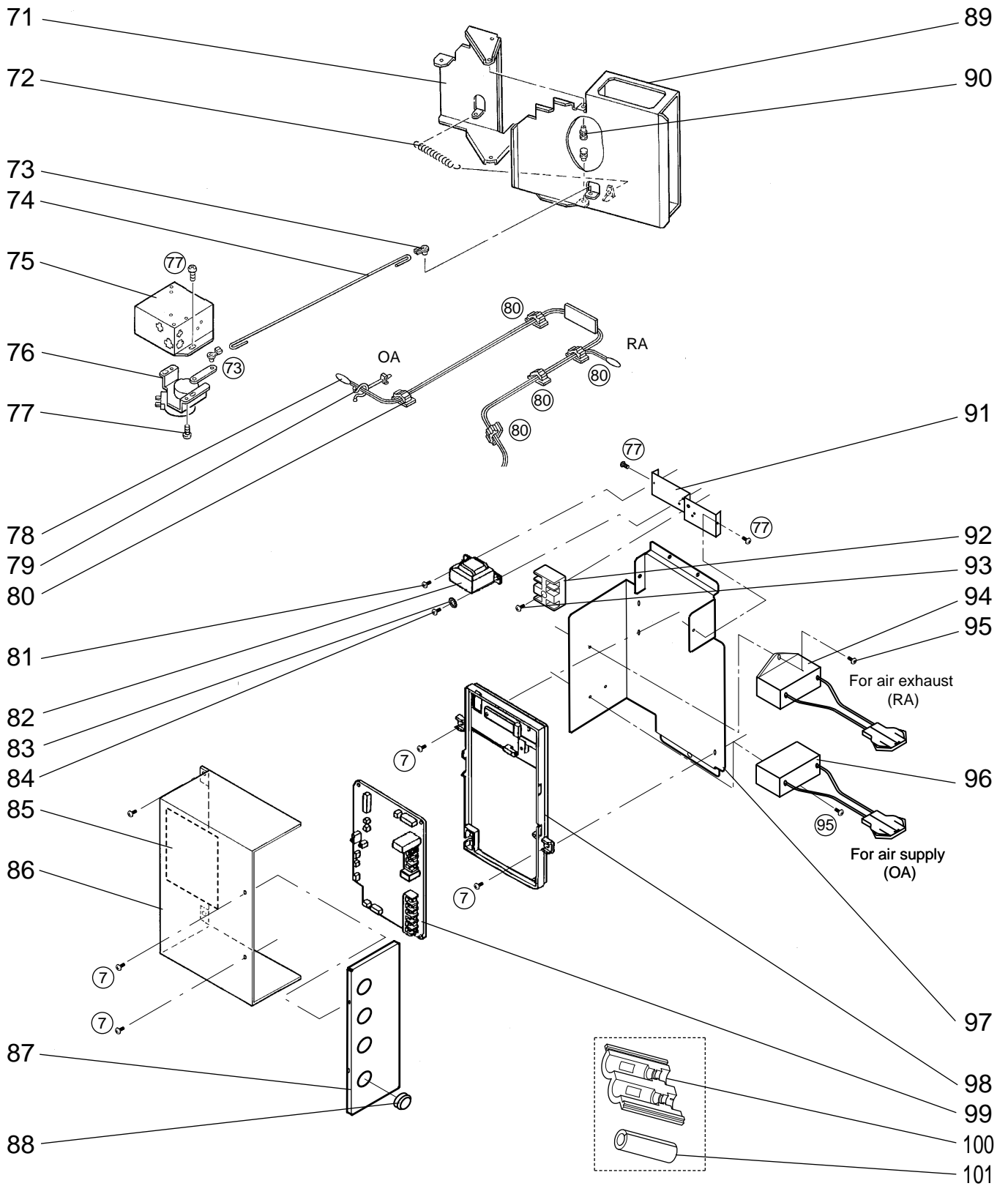
Model GUF-50RD3

No.	Parts No.	Name of part	Q'ty pcs/unit	Critical for safety	Remarks	Price
51.	R50 331 067	Special nut	2			
52.	M34 398 077	Tab washer	2			
53.	R50 351 480	Centrifugal fan	2	▲	220	
54.	R50 478 707	Motor base	2			
55.	M34 706 465	Special washer	2			
56.	Y50 062 452	Motor	1	▲		
57.	R50 351 713	Motor fix plate	2			
58.	H00 189 007	PTT screw 5x10	16			
59.	Y55 003 451	Motor	1	▲		



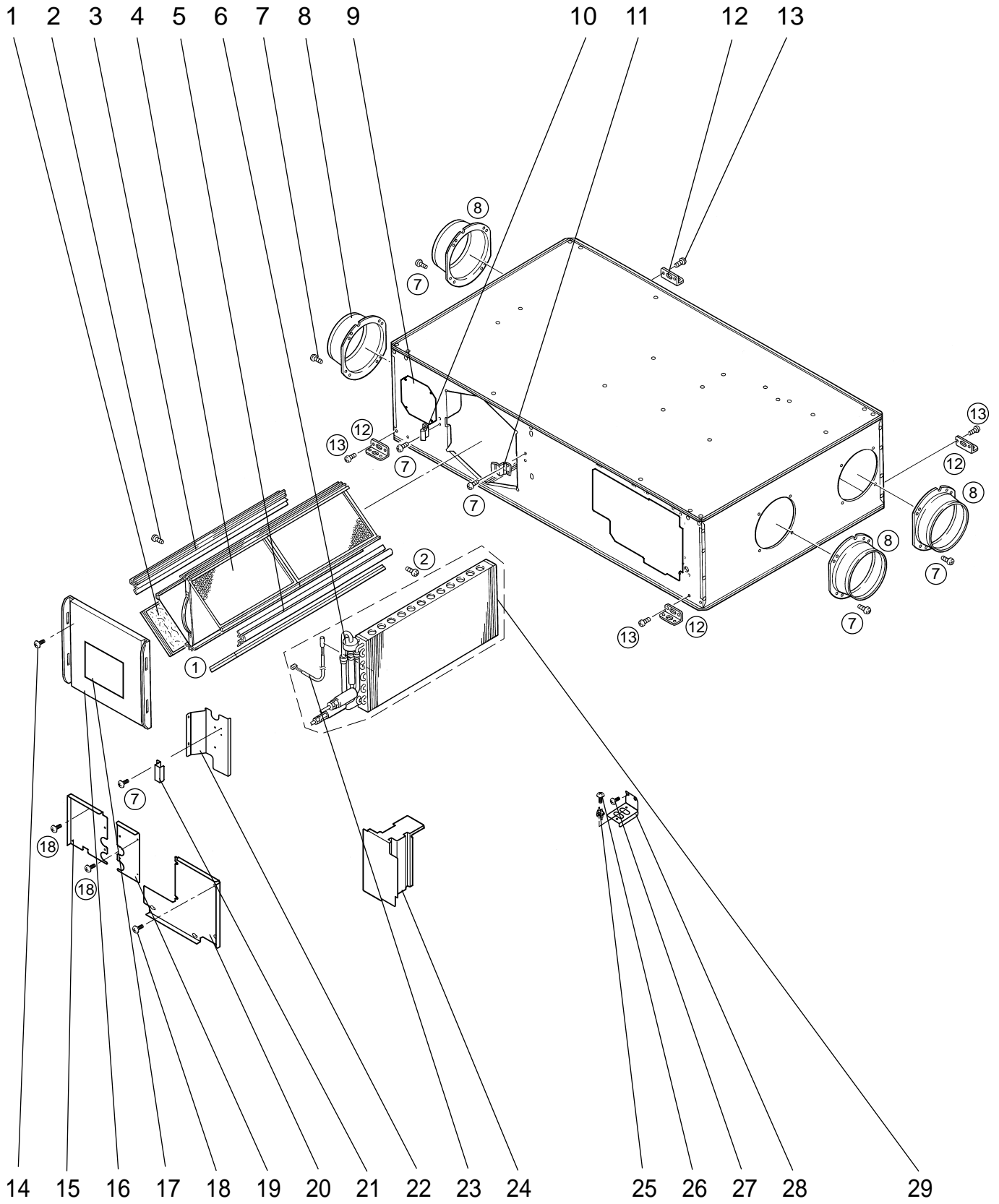
Model GUF-50RD3

No.	Parts No.	Name of part	Q'ty pcs/unit	Critical for safety	Remarks	Price
71.	R50 472 716	Damper support	1			
72.	R50 069 156	Pull spring	1			
73.	R50 054 225	Bush	2			
74.	R50 232 150	Rod	1			
75.	Y50 061 693	Damper motor cover	1			
76.	Y50 061 260	Damper motor	1	▲	220 × 240V	
77.	H00 312 007	PTT screw 4×6	2			
78.	Y55 003 216	Thermistor	1	▲		
79.	D41 093 224	Cord clamper	1			
80.	R50 399 224	Cord clip	5			
81.	H00 000 349	PT screw 4×8	1			
82.	Y55 001 217	Transformer	1	▲		
83.	H00 013 076	Lock washer	3			
84.	H00 011 008	PT screw 4×8(BS)	3		For earth	
85.	Y55 009 367	Wiring diagram	1			
86.	R50 429 693	Cover	1			
87.	R50 430 693	Side plate	1			
88.	R50 351 225	Bush	4			
89.	R50 472 715	Damper	1			
90.	M31 234 089	Special bush	2			
91.	R50 429 701	Terminal fix plate	1			
92.	M13 100 242	Terminal	1	▲	3P	
93.	H00 000 007	PPT screw 4×25	1			
94.	Y55 007 235	Capacitor	1	▲	4 μ F· 440VAC	
95.	H00 000 332	PTT screw 4×10	2			
96.	Y55 003 235	Capacitor	1	▲	4 μ F· 440VAC	
97.	R50 429 695	PCB fix plate	1			
98.	R50 327 730	PCB fix plate	1			
99.	Y55 007 171	Circuit board	1	▲	FU-M04-D4	
100.	Y55 001 698	Separator	1			
101.	Y55 001 699	Separator	1			



Model GUF-100RD3

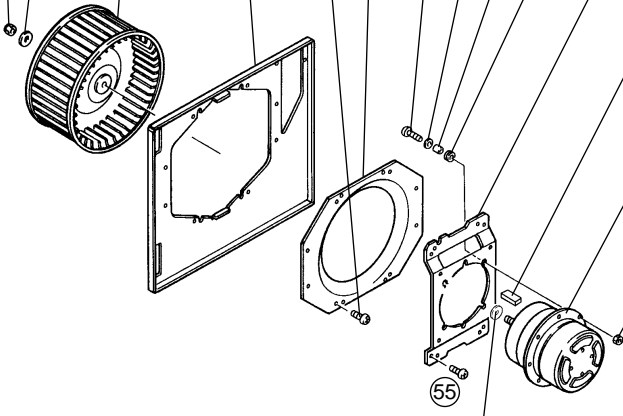
No.	Parts No.	Name of part	Q'ty pcs/unit	Critical for safety	Remarks	Price
1.	Y50 063 718	Filter	2	▲		
2.	H00 000 488	PTT screw 4×12	2			
3.	R50 219 381	Core guide	1			
4.	R50 219 710	Lossnay core	2	▲		
5.	R50 266 381	Core guide	1			
6.	R50 474 737	Linear expansion valve	1	▲		
7.	H00 000 487	PTT screw 4×8	76			
8.	R50 430 609	Flange	4			
9.	R50 358 704	Cover	2			
10.	R50 466 344	Hinge	1			
11.	Y50 029 712	Fix plate	2			
12.	R50 054 383	Hanger	4			
13.	H00 000 244	PT screw 6×12	8			
14.	M34 074 017	Special screw 4×11	1			
15.	R50 430 691	Cover(L)	1			
16.	X50 004 707	Maintenance cover	1			
17.	Y55 010 366	Model name	1			
18.	H00 189 007	PTT screw 5×10	16			
19.	R50 430 692	Cover(S)	1			
20.	R50 430 694	Humidifier cover	1			
21.	R50 429 700	Fix plate	1			
22.	R50 430 695	Fix plate	1			
23.	R40 647 340	Thermistor	1	▲	Liquid pipe	
23.	R40 632 936	Thermistor	1	▲	Gas pipe	
24.	R50 430 486	Humidifier cover(IN)	1			
25.	R50 117 708	Water sensor	2	▲		
26.	M35 282 045	Special screw 4×12	1			
27.	H00 260 045	PPT screw 4×8	5			
28.	Y55 007 692	Water sensor plate	1			
29.	R50 473 699	Heat exchanger	1	▲	Refrigerant	



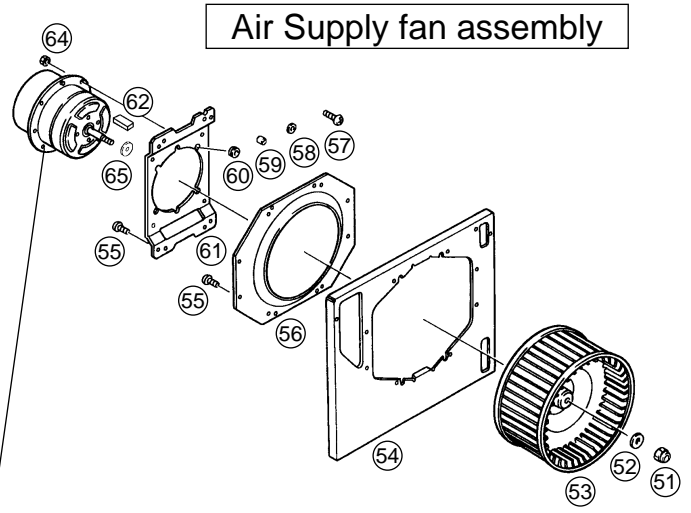
Model GUF-100RD3

No.	Parts No.	Name of part	Q'ty pcs/unit	Critical for safety	Remarks	Price
51.	R50 218 067	Special nut(12)	2			
52.	K83 466 113	Special washer(12)	2			
53.	R50 479 480	Centrifugal fan	2	▲	245	
54.	R50 480 707	Fan base	2			
55.	H00 189 007	PTT screw 5×10	16			
56.	R50 264 711	Inlet plate	2			
57.	H00 157 008	PT screw 6×20	8			
58.	M34 043 080	Special washer	8			
59.	R50 000 095	Spacer	8			
60.	R50 217 225	Bush	8			
61.	R50 218 712	Motor fix leg	2			
62.	Y50 033 104	Key	1		5×5×11.5	
63.	Y50 063 452	Motor	1	▲		
64.	H00 061 050	Nut(6)	8			
65.	K83 195 080	Special washer	1			
66.	Y55 004 451	Motor	1	▲		

51 52 53 54 55 56 57 58 59 60 61 62 63 64



Air Exhaust fan assembly



Air Supply fan assembly

65

66

Model GUF-100RD3

No.	Parts No.	Name of part	Q'ty pcs/unit	Critical for safety	Remarks	Price
71.	R50 473 715	Damper support	1			
72.	R50 074 156	Pull spring	1			
73.	R50 054 225	Bush	2			
74.	R50 265 150	Rod	1			
75.	Y50 061 693	Damper motor cover	1			
76.	Y50 061 260	Damper motor	1	▲	220 × 240V	
77.	H00 312 007	PTT screw 4×6	2			
78.	Y55 004 215	Thermistor	1	▲		
79.	D41 093 224	Cord clamper	2			
80.	R50 399 224	Cord clip	7			
81.	H00 000 349	PT screw 4×8	1			
82.	Y55 001 217	Transformer	1	▲		
83.	H00 013 076	Lock washer	3			
84.	H00 011 008	PT screw 4×8(BS)	3		For earth	
85.	Y55 009 367	Wiring diagram	1			
86.	R50 429 693	Cover	1			
87.	R50 430 693	Side plate	1			
88.	R50 351 225	Bush	4			
89.	R50 473 716	Damper	1			
90.	M31 234 089	Special bush	2			
91.	R50 429 701	Terminal fix plate	1			
92.	M13 100 242	Terminal	1	▲	3P	
93.	H00 000 007	PPT screw 4×25	1			
94.	H00 000 332	PTT screw 4×10	3			
95.	Y55 008 235	Capacitor	1	▲	7 μ F· 440VAC	
96.	R50 429 695	PCB fix plate	1			
97.	Y55 008 236	Capacitor(2)	1	▲	4.5 μ F· 440VAC	
98.	R50 327 730	PCB fix plate	1			
99.	Y55 007 171	Circuit board	1	▲	FU-M04-D4	
100.	Y55 001 698	Separator	1			
101.	Y55 001 699	Separator	1			

