

# **SERVICE PARTS LIST FOR MITSUBISHI ELECTRIC PACKAGED AIR-CONDITIONERS**

**Series : CMP-VLW-C**

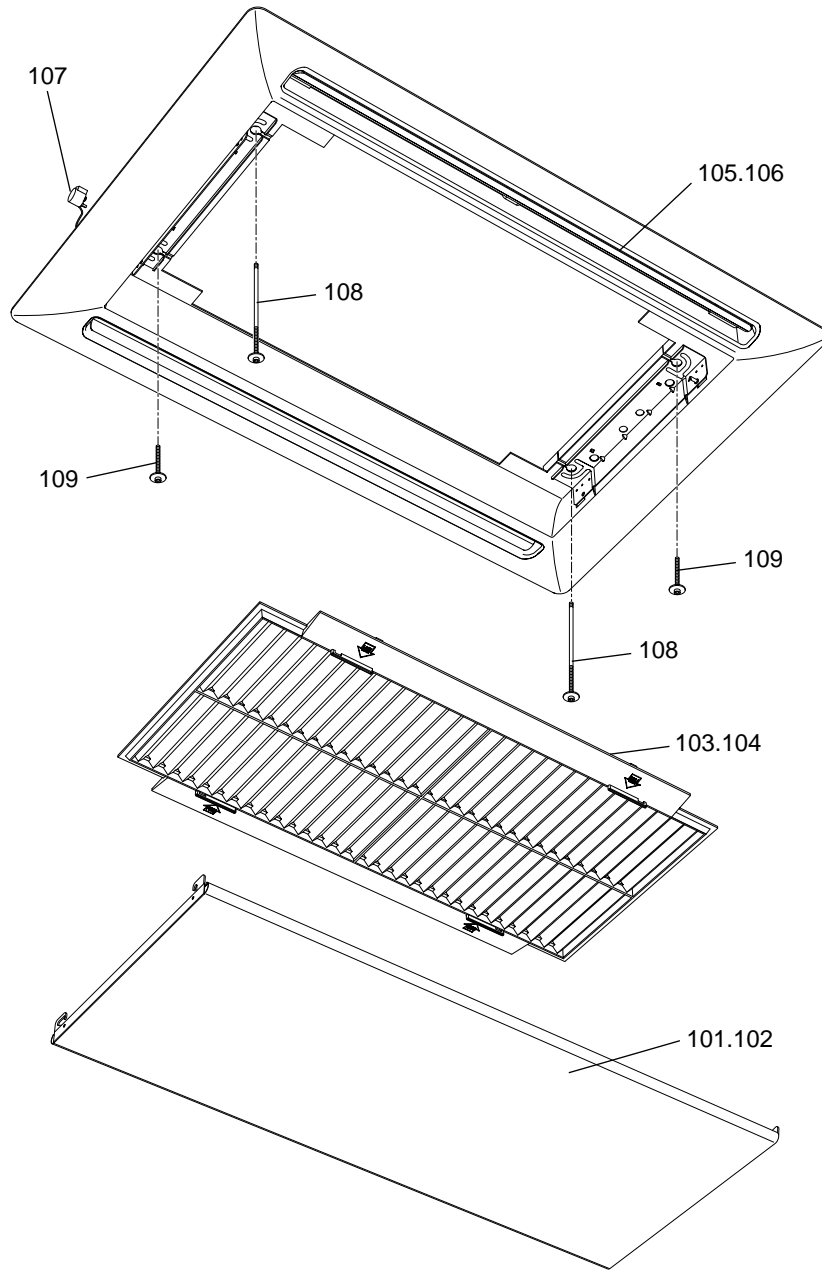
**Feb. 2009**

**BWE08250**

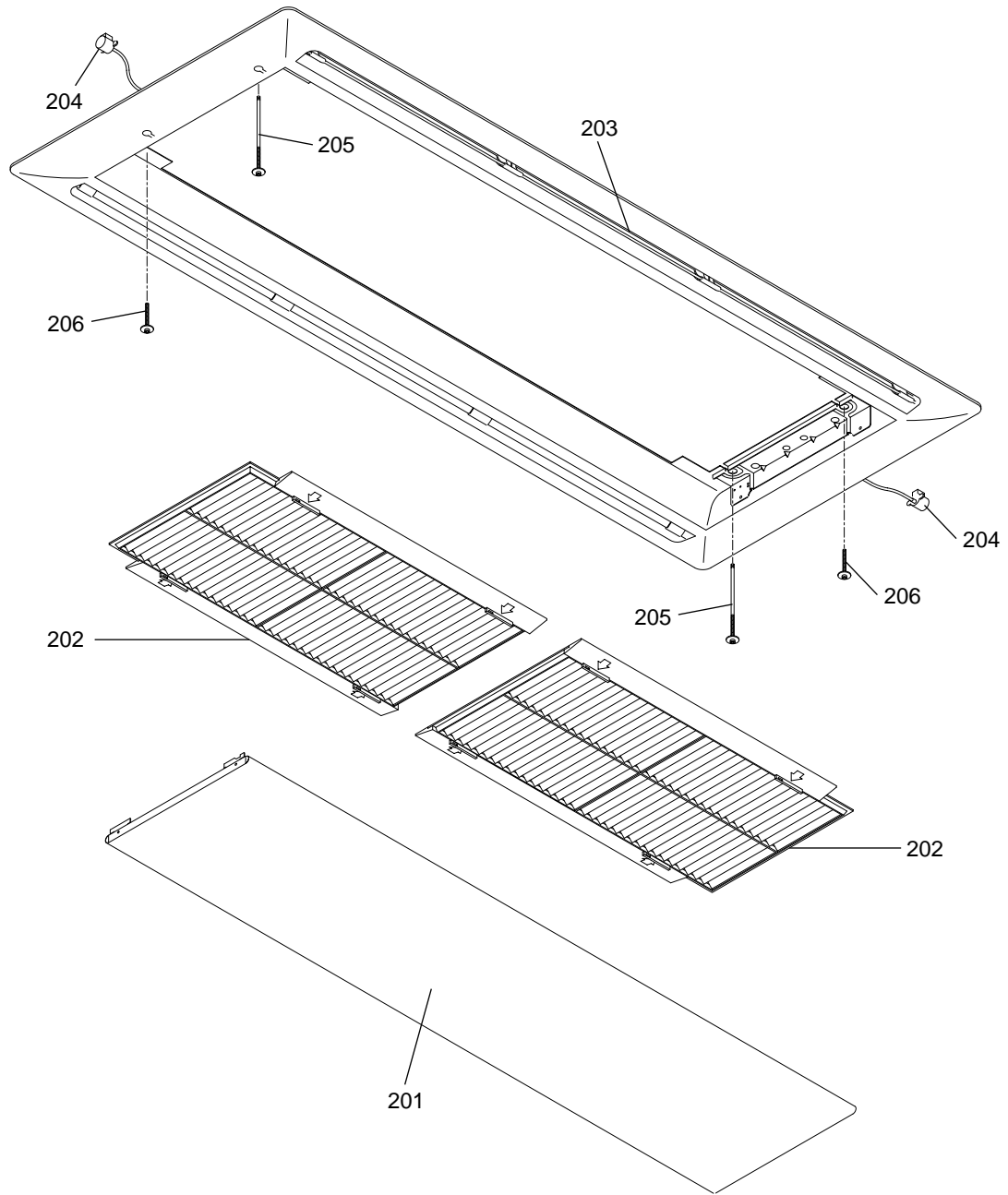
<b>INDEX</b>
<b>CMP-40VLW-C</b>
<b>CMP-63VLW-C</b>
<b>CMP-100VLW-C</b>
<b>CMP-125VLW-C</b>

CMP-40VLW-C  
CMP-63VLW-C

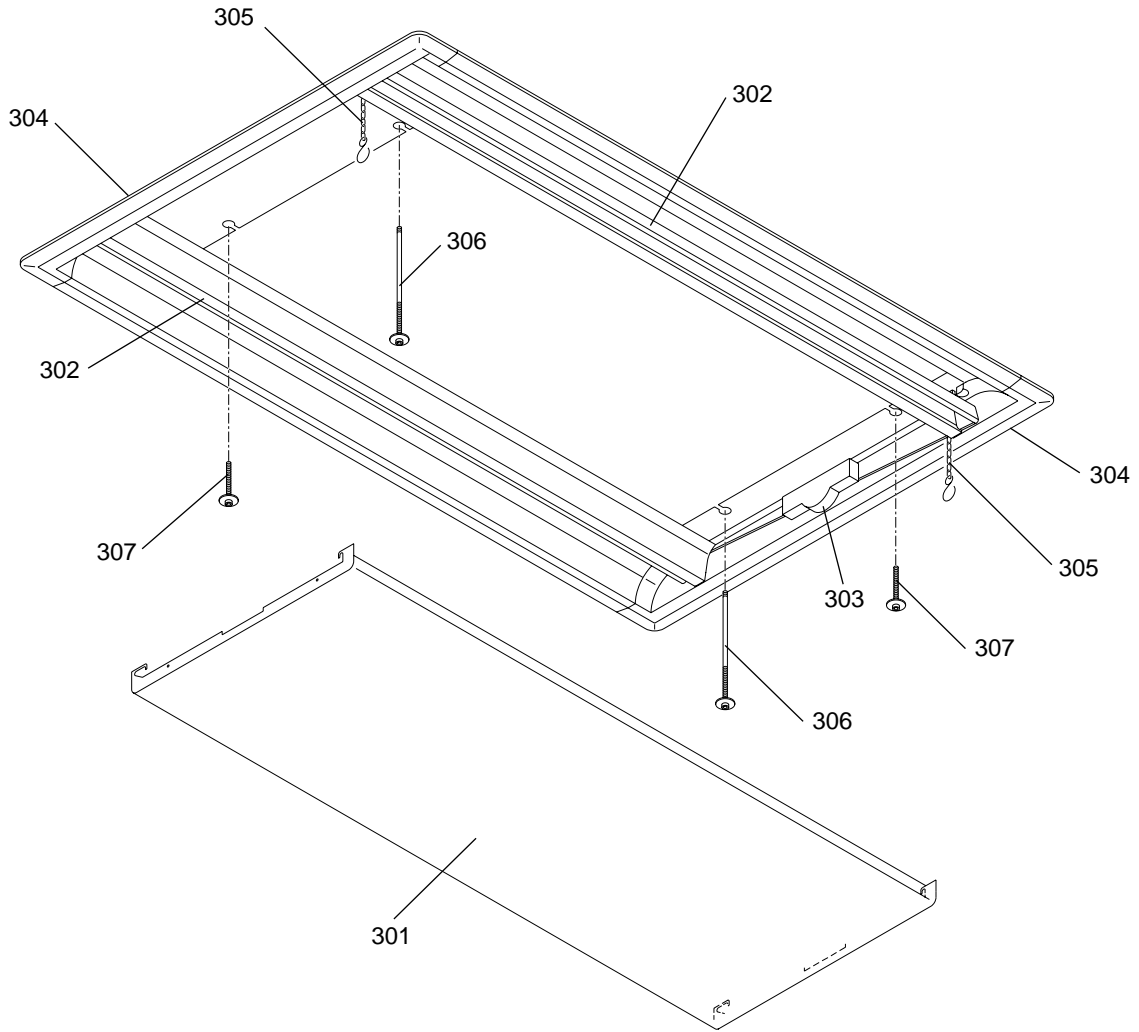
PANEL PARTS(OPTION)



No.	Part No.	G : RoHS Apply Only W : RoHS Apply by Running Change		Spec.	CMP-40VLW-C	CMP-63VLW-C			Dwg. No.	Price	Revision History
			Part Name								
101	R61 032 668	G	Service panel assy	45	1				W645049G22		
102	R61 033 668	G	Service panel	71		1			W649752G11		
103	R63 8G5 500	G	Filter	45	1				W270911H11		
104	R63 8G6 500	G	Filter	71		1			W270911H12		
105	R63 M95 679	G	Louver assy	45	2				W645431G03		
106	R63 M96 679	G	Louver assy	71		2			W645431G04		
107	R63 M95 220	G	Motor	vane MP20EA	2	2			P714816X01		
108	R63 1E0 087	G	P Truss screw(long)	M5	2	2			W861255H02		
109	R63 1A5 087	G	P Truss screw(short)	M5	2	2			W907768G01		



No.	Part No.	G : RoHS Apply Only W : RoHS Apply by Running Change		Spec.	CMP-100VLW-C					Dwg. No.	Price	Revision History
			Part Name									
201	R61 034 668	G	Service panel assy		1					W645049G23		
202	R63 8G7 500	G	Filter		2					W273520H05		
203	R63 R02 679	G	Louver assy		2					W653787G03		
204	R63 M95 220	G	Motor	vane MP20EA	2					P714816X01		
205	R63 1E0 087	G	P Truss screw(long)	M5	2					W861255H02		
206	R63 1A5 087	G	P Truss screw(short)	M5	2					W907768G01		



No.	Part No.	G : RoHS Apply Only W : RoHS Apply by Running Change		Spec.	CMP-125VLW-C					Dwg. No.	Price	Revision History
			Part Name									
301	R61 123 651	G	Panel assy		1					W645049G24		
302	R63 Y01 679	G	Louver assy		2					W653787G04		
303	R63 Y42 221	G	Motor assy		1					W885130G02		
304	R61 124 651	G	Panel end		2					W126483H03		
305	R63 Y01 631	G	Chain		2					W893032H01		
306	R63 1E0 087	G	P Truss screw(long)	M5	2					W861255H02		
307	R63 1A5 087	G	P Truss screw(short)	M5	2					W907768G01		

